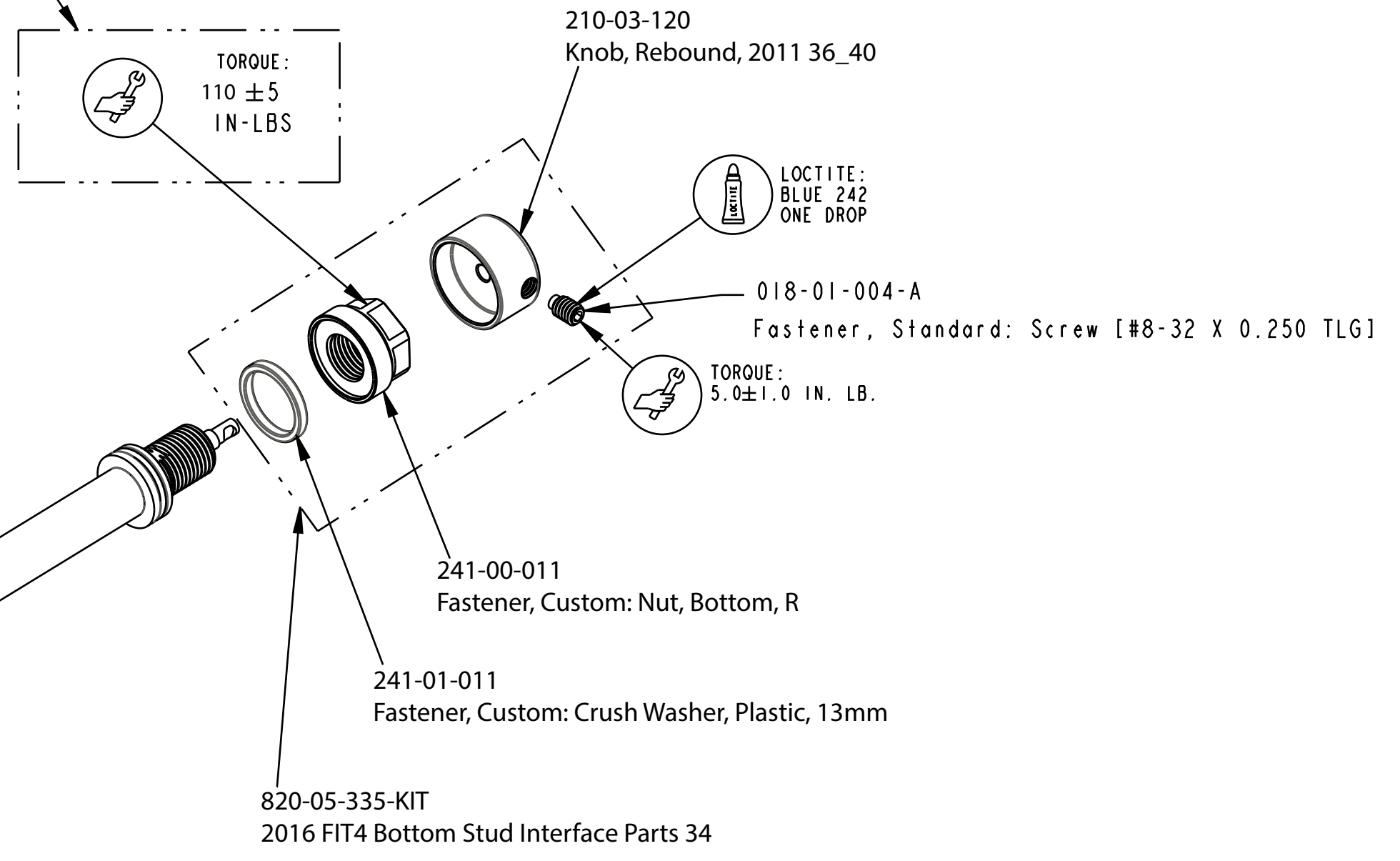


SECTION A-A

REFERENCE ONLY  
(FOR INSTALLATION  
INTO FORK)



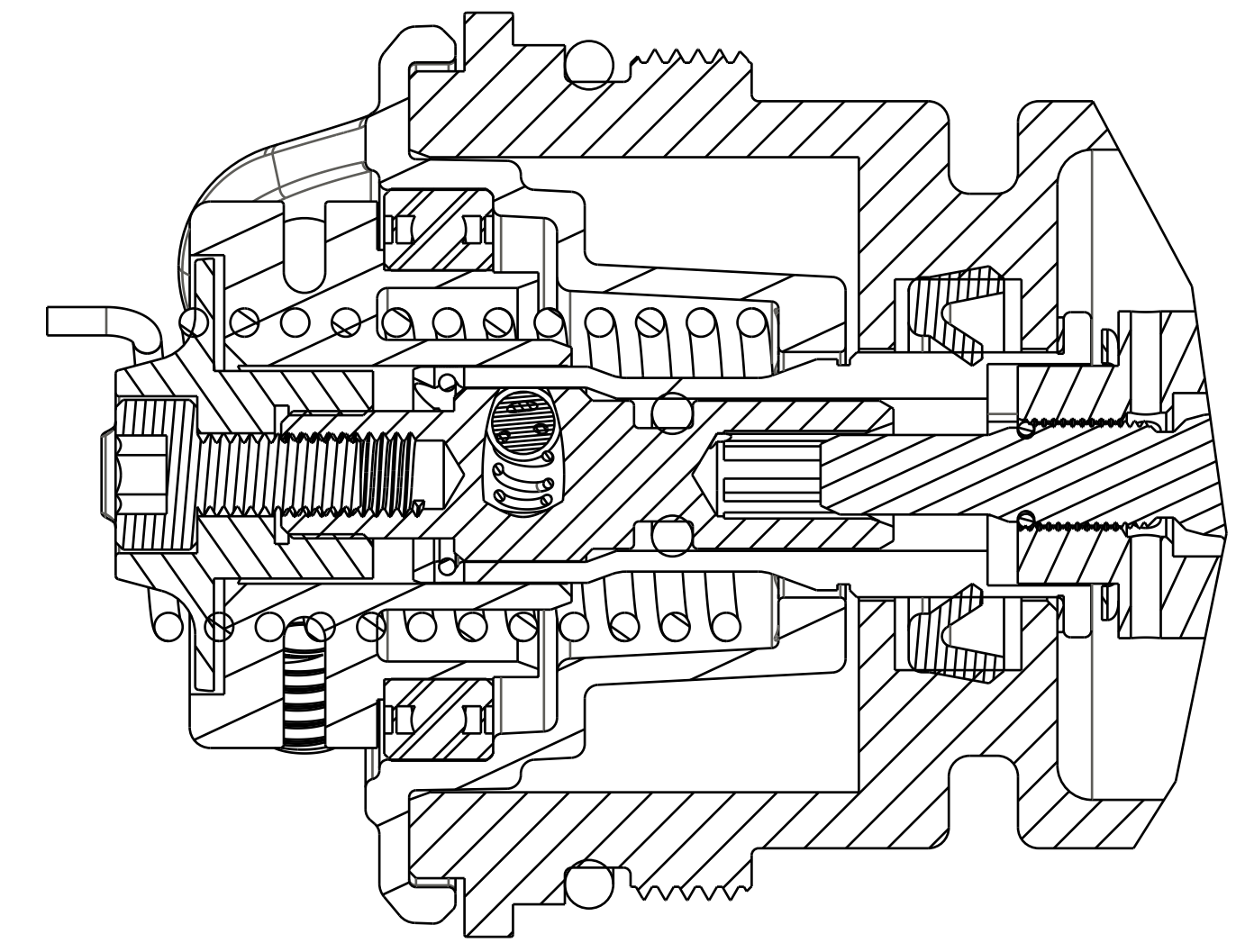
CARTRIDGE ASSY

Topcap Interface Parts:  
 820-05-455-KIT 2018 FIT4 TopCap Interface Parts F-S Remote, U-Cup, Push-Unlock  
 820-05-456-KIT 2018 FIT4 TopCap Interface Parts F-S Remote, U-Cup, Push-Lock



REFERENCE ONLY  
(FOR INSTALLATION  
INTO FORK)

TORQUE: 220±5 IN. LB.



DETAIL A  
SCALE 4:1

PROPRIETARY - THIS DOCUMENT CONTAINS CONFIDENTIAL, PROPRIETARY INFORMATION THAT IS FOR PROPERTY USE ONLY. DO NOT DISCLOSE TO OR DUPLICATE FOR OTHERS EXCEPT AS AUTHORIZED BY FOX.

**FOX Factory, Inc.**  
 130 Hangar Way, Watsonville, CA 95076 USA  
 Ph 831-768-1100 Fax 831-768-9312

TITLE: **2019 34 F-S FIT4 Remote Cartridge Assemblies Complete**

SIZE: D  
 DWG. NO.:  
 PLOT SCALE: 1.00:1

SHEET 1 OF 1