

4

3

2

1

D

D

C

C

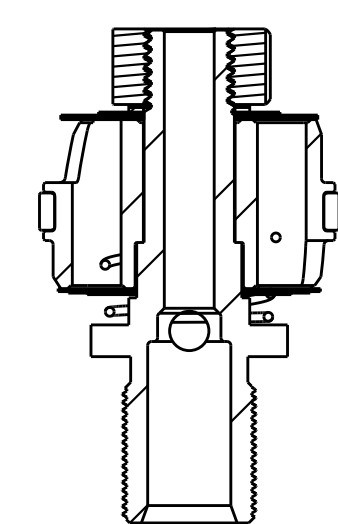
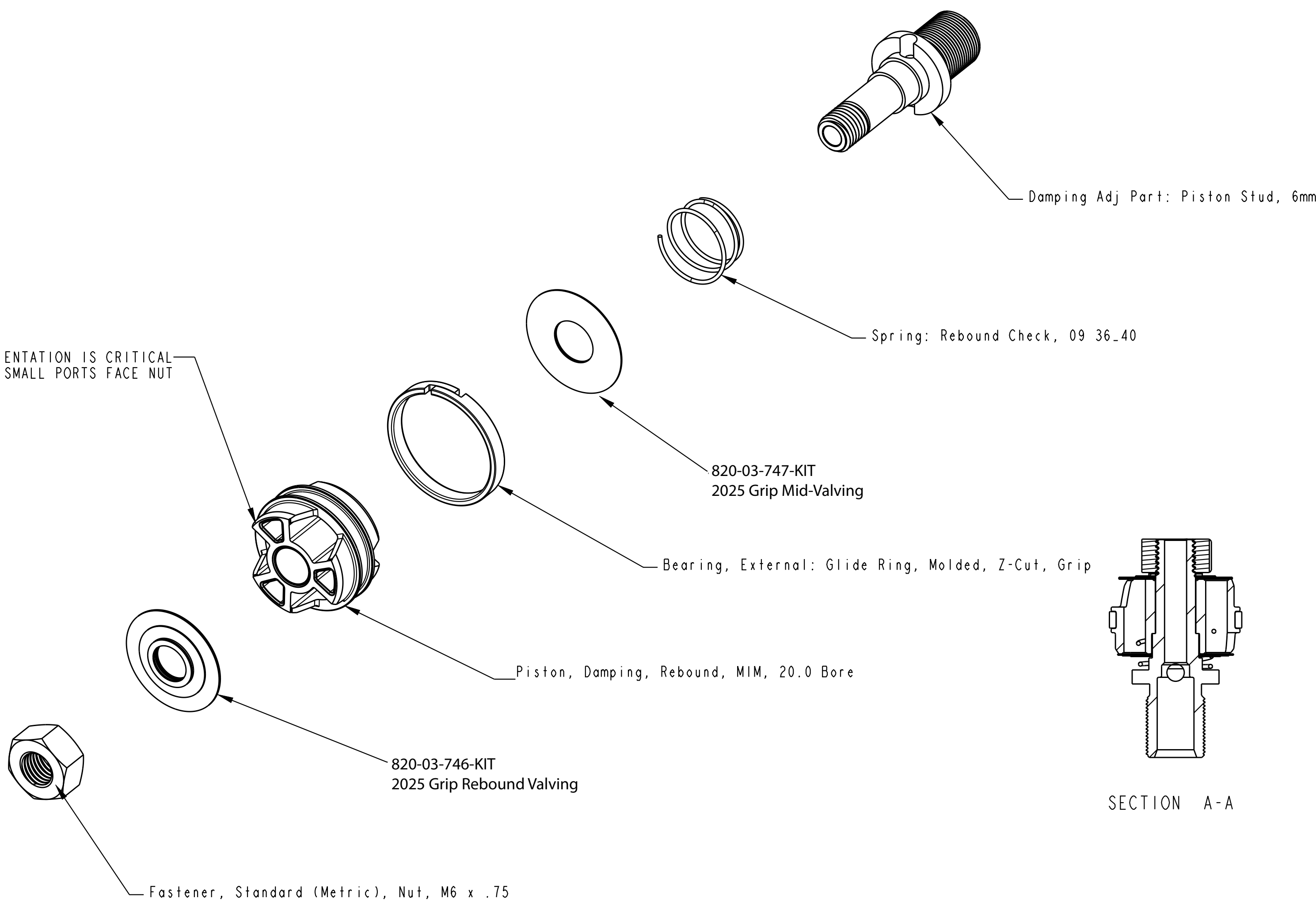
B

B

A

A

\* PISTON ORIENTATION IS CRITICAL  
SMALL PORTS FACE NUT



SECTION A-A

- PROPRIETARY -  
THIS DOCUMENT CONTAINS CONFIDENTIAL, PROPRIETARY INFORMATION  
THAT IS FOX PROPERTY. DO NOT DISCLOSE TO OR DUPLICATE  
FOR OTHERS EXCEPT AS AUTHORIZED BY FOX.

		<b>FOX Factory, Inc.</b>		Ph 831-768-1100
		130 Hangar Way, Watsonville, CA 95076 USA		Fax 831-768-9312
TITLE		Rebound Piston, 2025 Grip		
SIZE	DWG. NO.	820-03-750-KIT		
C		PLOT SCALE 2.00:1		SHEET 1 OF 1

4

3

2

1