

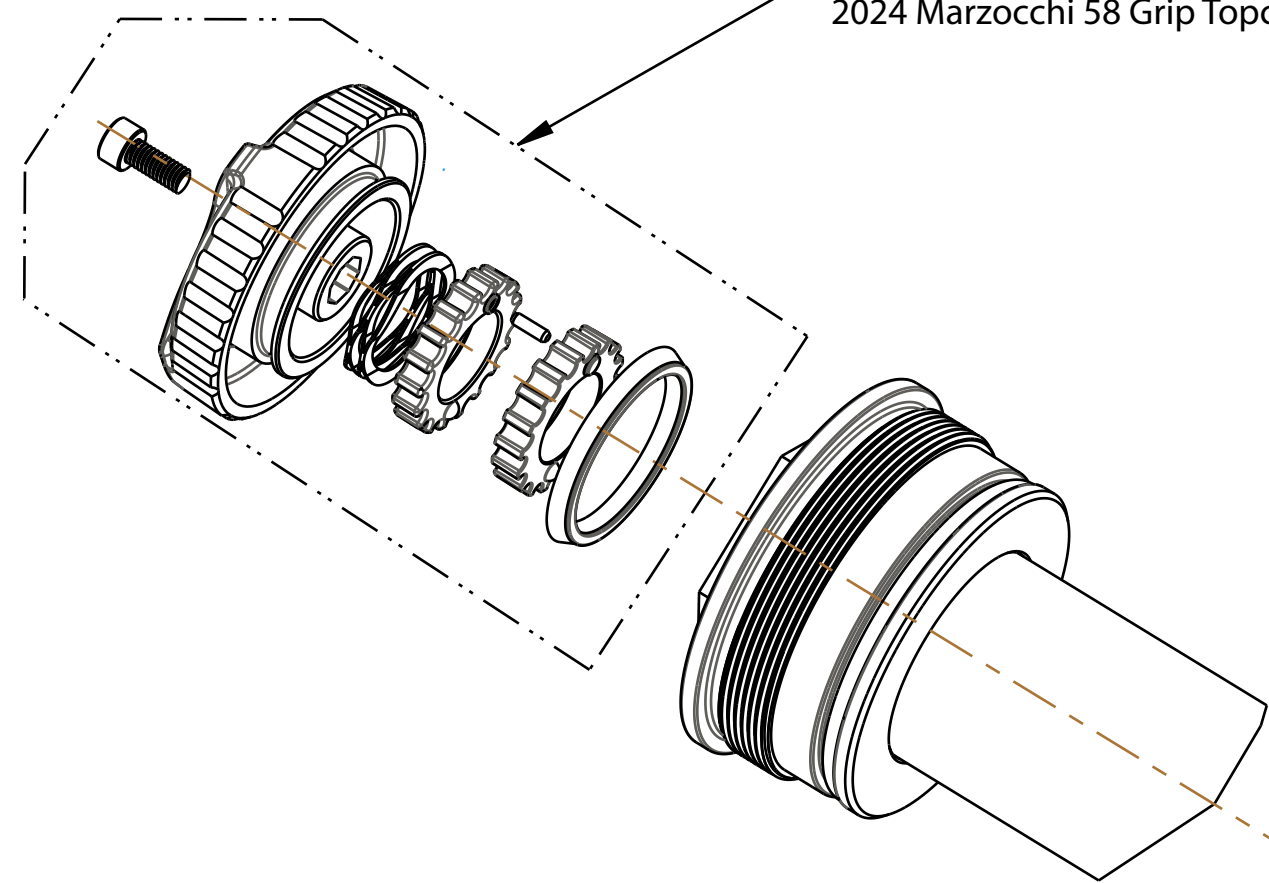
4

3

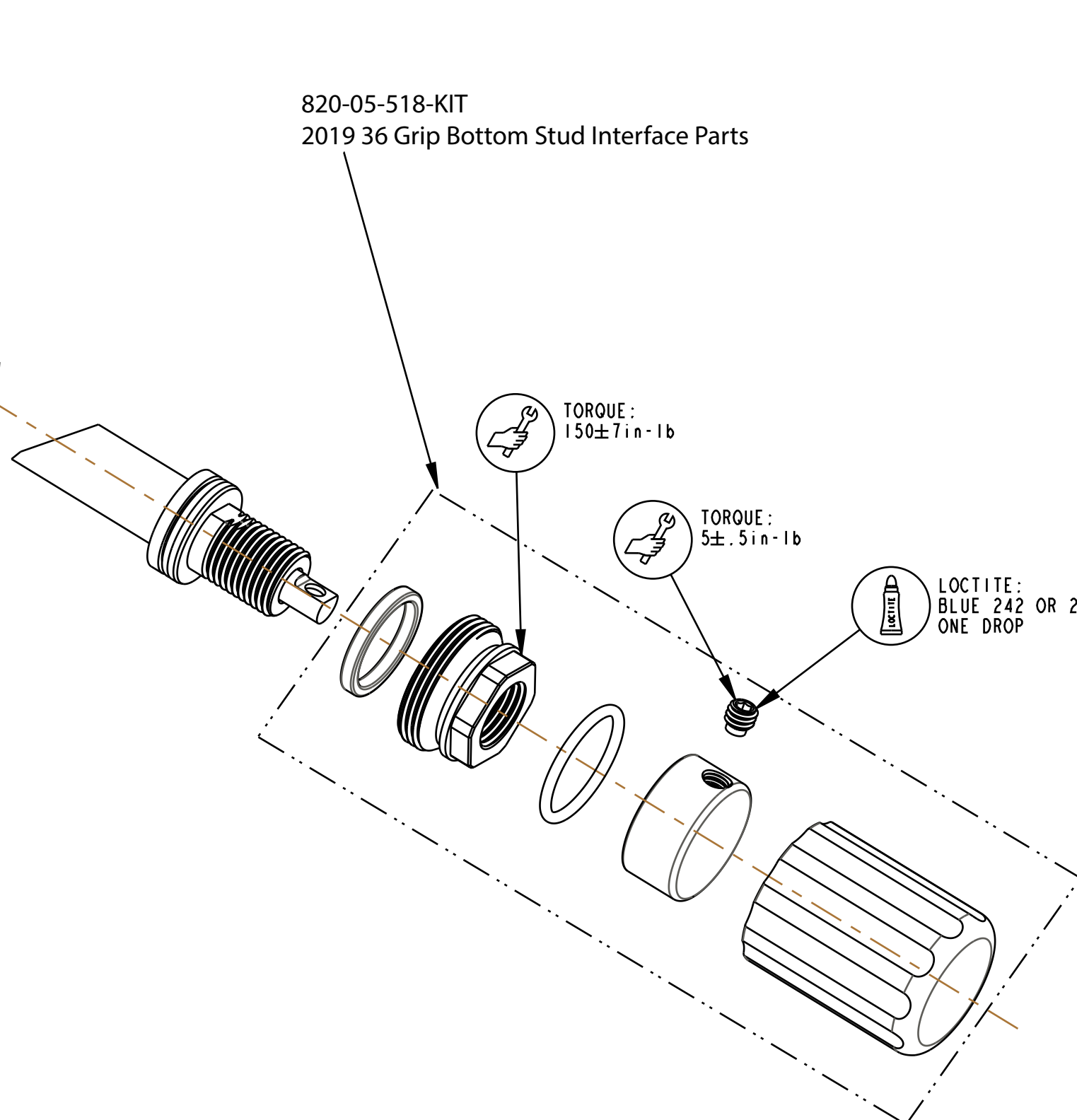
2

1

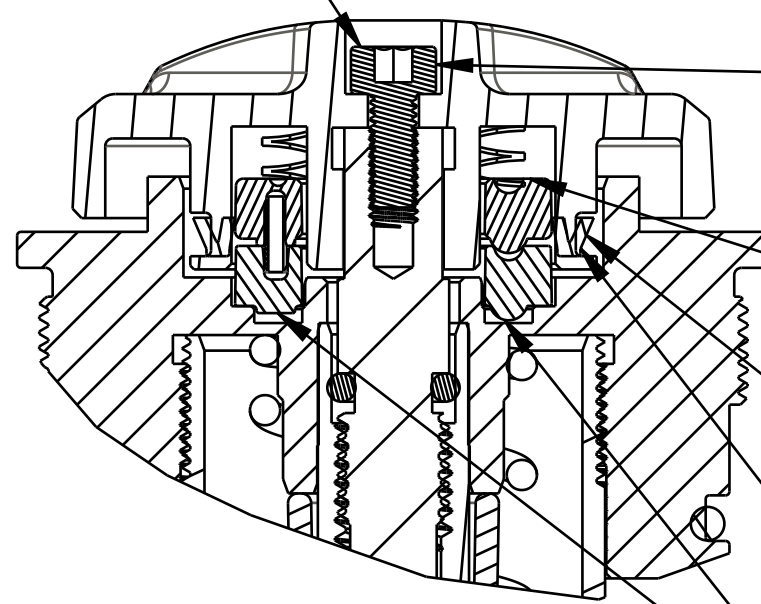
820-05-715-KIT  
2024 Marzocchi 58 Grip Topcap Interface Parts



820-05-518-KIT  
2019 36 Grip Bottom Stud Interface Parts



Fastener Standard (Metric): Screw [M2.5 X 6mm] Socket Head Cap, SS



SECTION A-A  
SCALE 2.5:1

TORQUE:  
4 ± 1 in-lb

GREASE:  
THIN LAYER  
SLICK HONEY

IMPORTANT:  
NOTE U-CUP  
ORIENTATION

GREASE:  
THIN LAYER  
BLUE MARINE

IMPORTANT:  
ENGAGE 2X FEATURES

TORQUE:  
150 ± 7 in-lb

TORQUE:  
5 ± .5 in-lb

LOCTITE:  
BLUE 242 OR 243  
ONE DROP

**FOX** **FOX Factory, Inc.** Ph 831-768-1100  
130 Hangar Way, Watsonville, CA 95076 USA Fax 831-768-9312

TITLE  
2025 Marzocchi Bomber 58,  
Grip, Cart Assy Complete

SIZE DWG. NO. **820-18-579-KIT**

PLOT SCALE 1.5:1 SHEET 1 OF 2

PROPRIETARY  
THIS DOCUMENT CONTAINS CONFIDENTIAL, PROPRIETARY INFORMATION  
THAT IS FOX PROPERTY. DO NOT DISCLOSE TO OR DUPLICATE  
FOR OTHERS EXCEPT AS AUTHORIZED BY FOX.

4

3

2

1

ProE ASSEM