

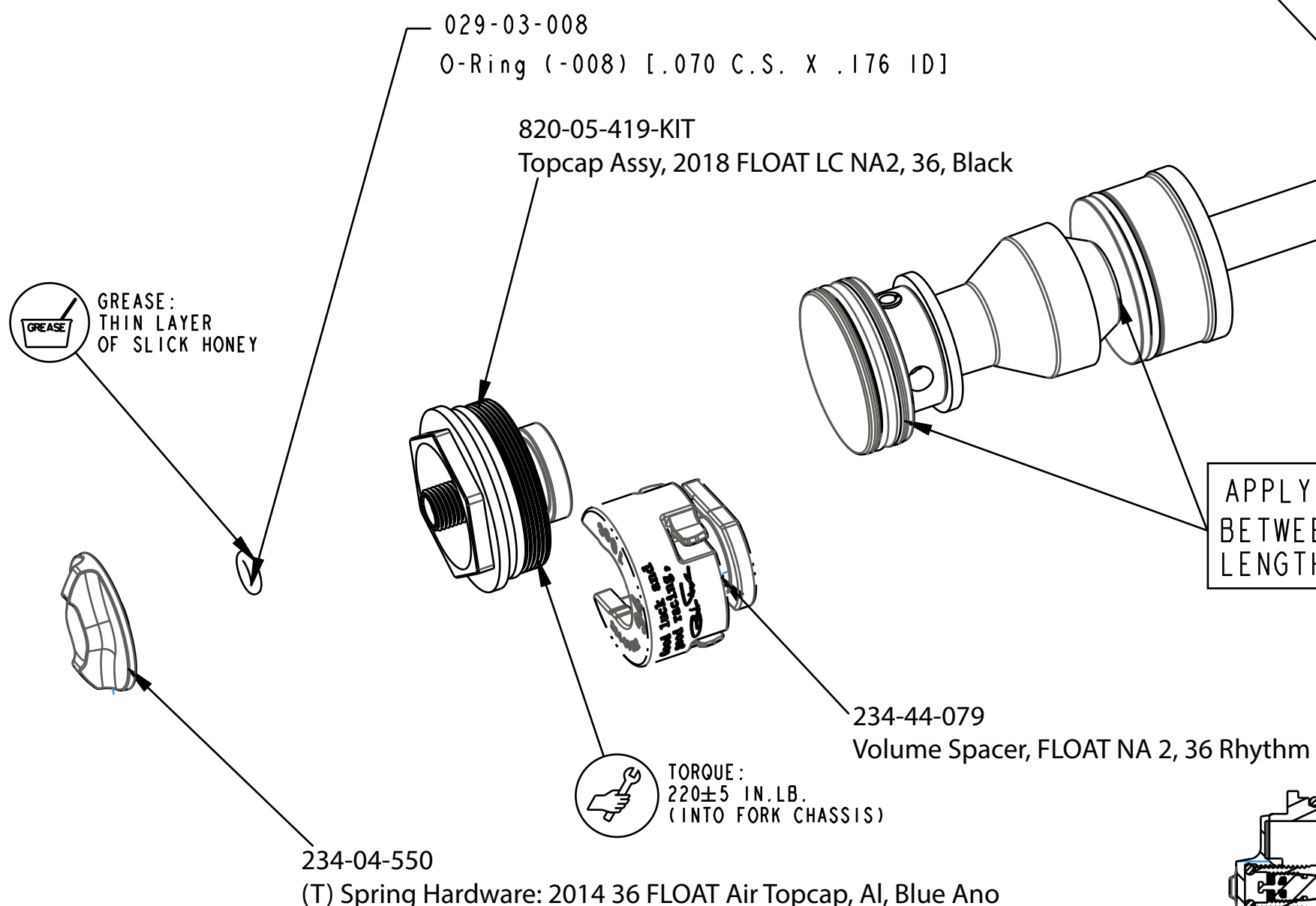
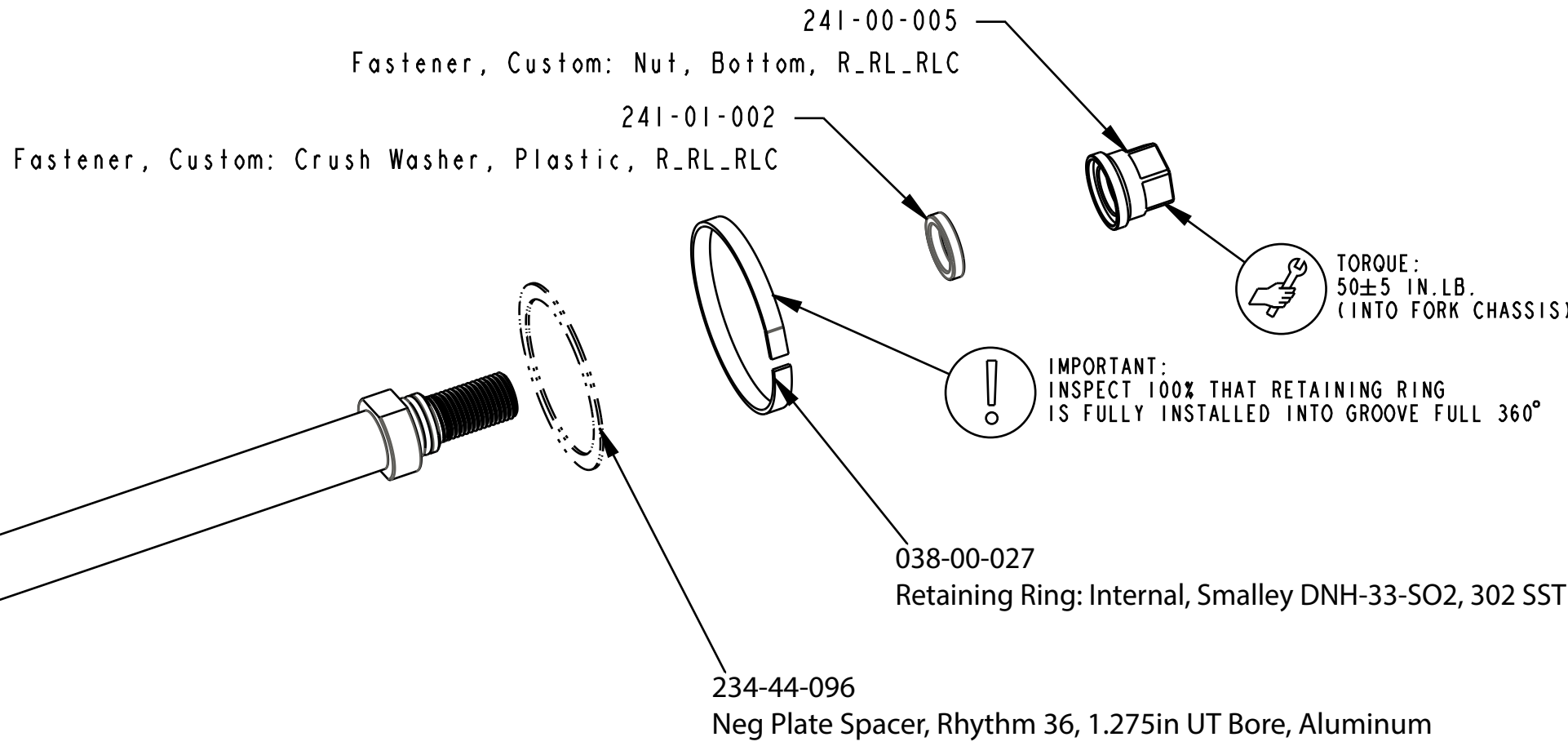
4

3

2

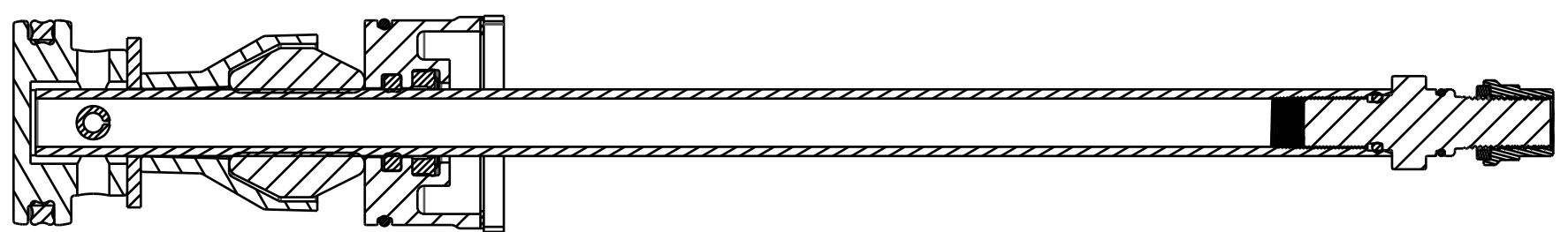
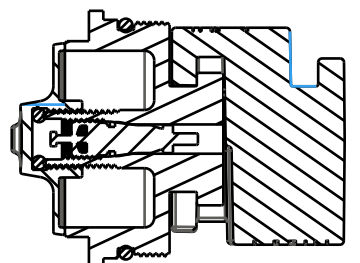
1

**AIR SHAFT ASSEMBLIES:**  
 820-02-545-KIT: Air Shaft Assy, 2019, 36 Rhythm, 180mm, 1.275 Bore, No Spacer  
 820-02-546-KIT: Air Shaft Assy, 2019, 36 Rhythm, 170mm, 1.275 Bore, No Spacer  
 820-02-547-KIT: Air Shaft Assy, 2019, 36 Rhythm, 160mm, 1.275 Bore, No Spacer  
 820-02-548-KIT: Air Shaft Assy, 2019, 36 Rhythm, 150mm, 1.275 Bore, No Spacer  
 820-02-549-KIT: Air Shaft Assy, 2019, 36 Rhythm, 140mm, 1.275 Bore, No Spacer  
 820-02-550-KIT: Air Shaft Assy, 2019, 36 Rhythm, 130mm, 1.275 Bore, No Spacer



APPLY GREASE AROUND PISTON, ON AIR SHAFT, BETWEEN BUMPER AND NEG PLATE, AND A THIN LAYER ON ENTIRE LENGTH OF PISTON BORE OF UPPER TUBE ID.

234-04-550 (T) Spring Hardware: 2014 36 FLOAT Air Topcap, Al, Blue Ano



SECTION A-A

PROPRIETARY - THIS DOCUMENT CONTAINS CONFIDENTIAL, PROPRIETARY INFORMATION THAT IS FOX PROPERTY. DO NOT DISCLOSE TO OR DUPLICATE FOR OTHERS EXCEPT AS AUTHORIZED BY FOX.

**FOX Factory, Inc.** Ph 831-768-1100  
 130 Hangar Way, Watsonville, CA 95076 USA Fax 831-768-9312

TITLE **2019 36 Rhythm FLOAT NA2 Air Spring Assemblies**

SIZE DWG. NO. **C**

PLOT SCALE | .00:1 | SHEET 1 OF 1