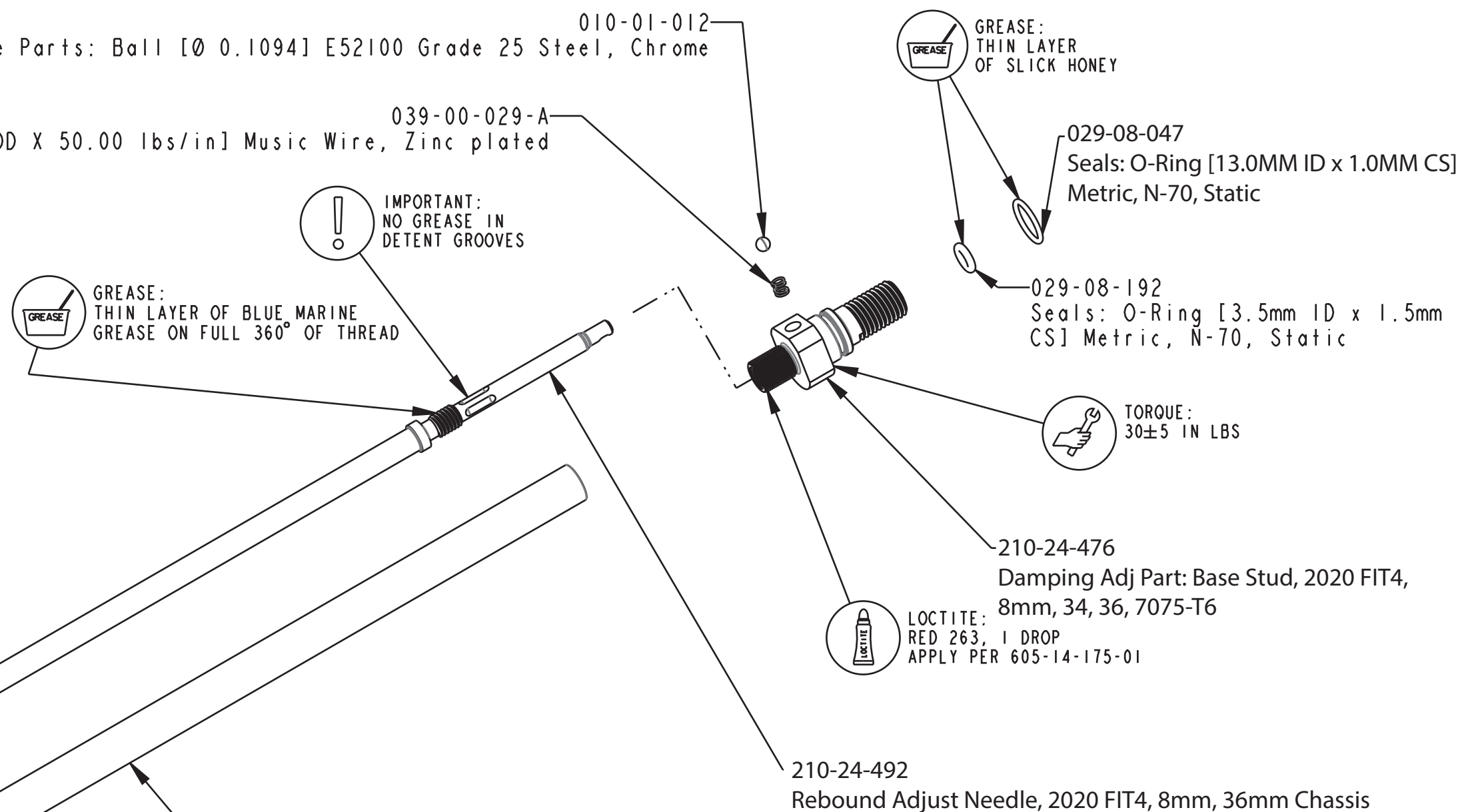


DETAIL A
SCALE 2:1

Air Valve Parts: Ball [Ø 0.1094] E52100 Grade 25 Steel, Chrome
Spring: [0.125 TLG X 0.125 OD X 50.00 lbs/in] Music Wire, Zinc plated



GREASE:
THIN LAYER
OF SLICK HONEY

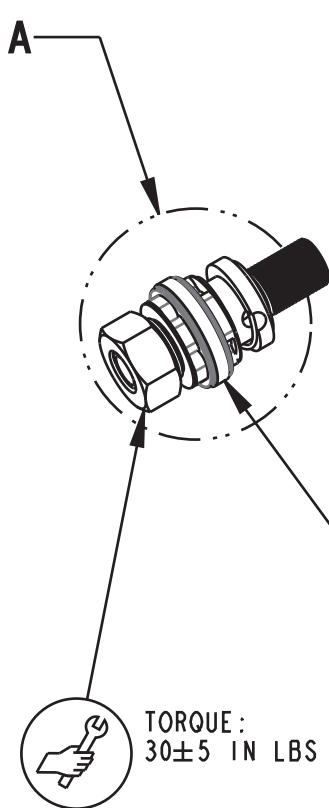
029-08-026
Seals: O-Ring [2.0mm ID X 1.5mm CS] Metric, N-60, Static

GREASE:
THIN LAYER OF BLUE MARINE
GREASE ON FULL 360° OF THREAD

IMPORTANT:
NO GREASE IN
DETENT GROOVES

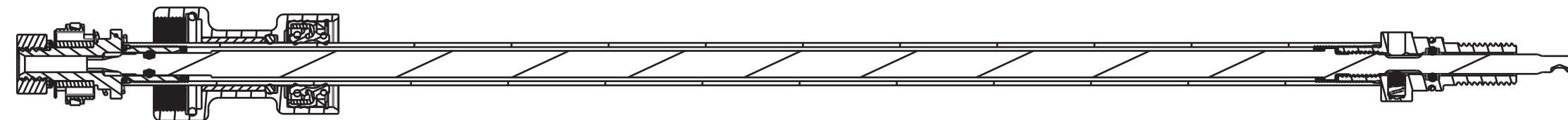
229-10-635
Shaft, Damper, 8mm, 2020 FIT4, 36mm

SEE DETAIL A



820-03-610-KIT
2020 FIT4 Rebound Piston Assy, 8mm Shaft

820-03-569-KIT
Sealhead Assy, 2019 FIT [8mm, MI7.56]
Trelleborg, O-ring



SECTION A-A

PROPRIETARY
THIS DOCUMENT CONTAINS CONFIDENTIAL, PROPRIETARY INFORMATION
THAT IS FOX PROPERTY. DO NOT DISCLOSE TO OR DUPLICATE
FOR OTHERS EXCEPT AS AUTHORIZED BY FOX.

FOX FOX Factory, Inc. Ph 831-768-1100
130 Hangar Way, Watsonville, CA 95076 USA Fax 831-768-9312

TITLE
2020 36 FIT4 8mm Damper Shaft Assy

SIZE DWG. NO. **820-03-606-KIT**
PLOT SCALE 1:1 SHEET 1 OF 1