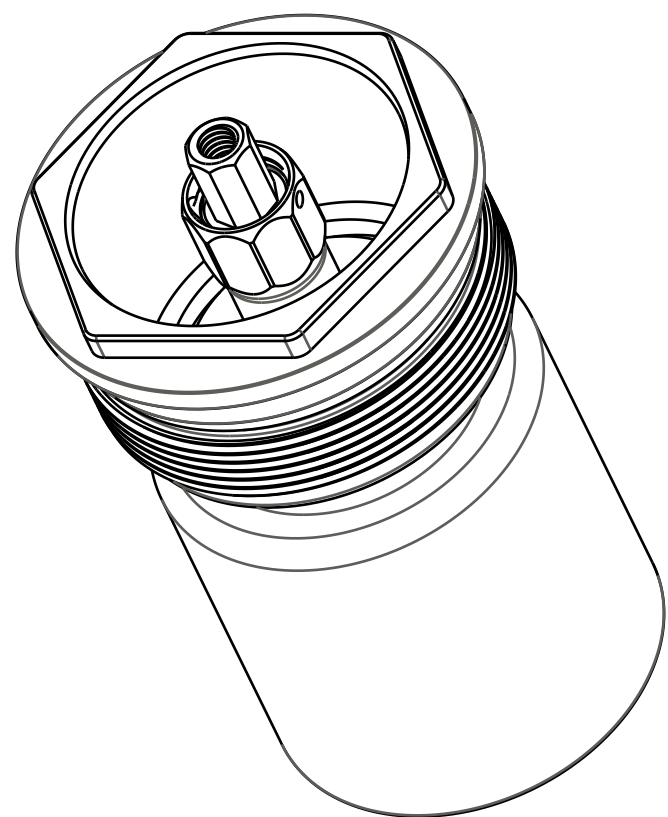


4

3

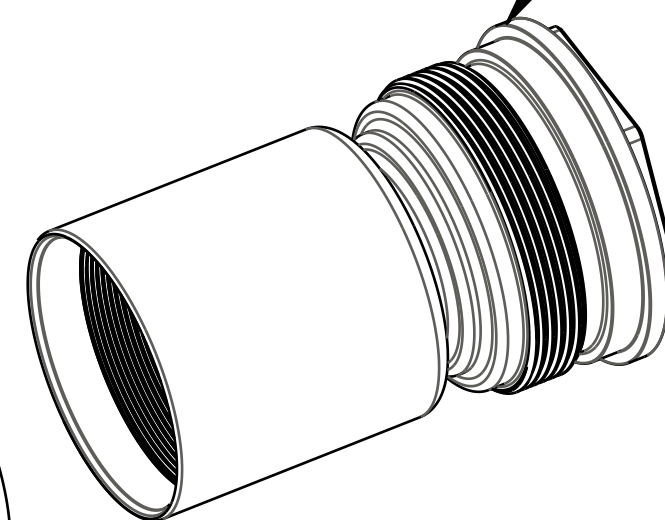
2

1



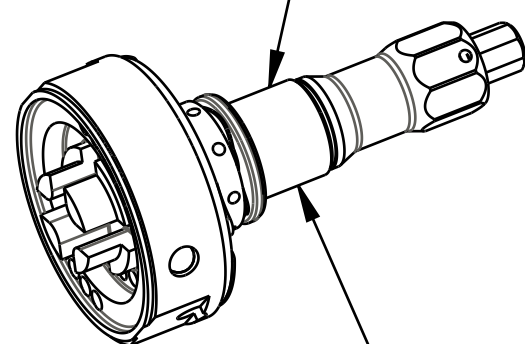
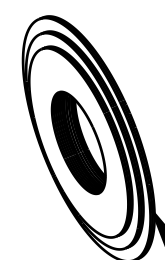
Body, Topcap, 36, 2020 FIT4 Remote, U-Cup, Black Ano

GREASE:
THIN LAYER
OF SLICK HONEY



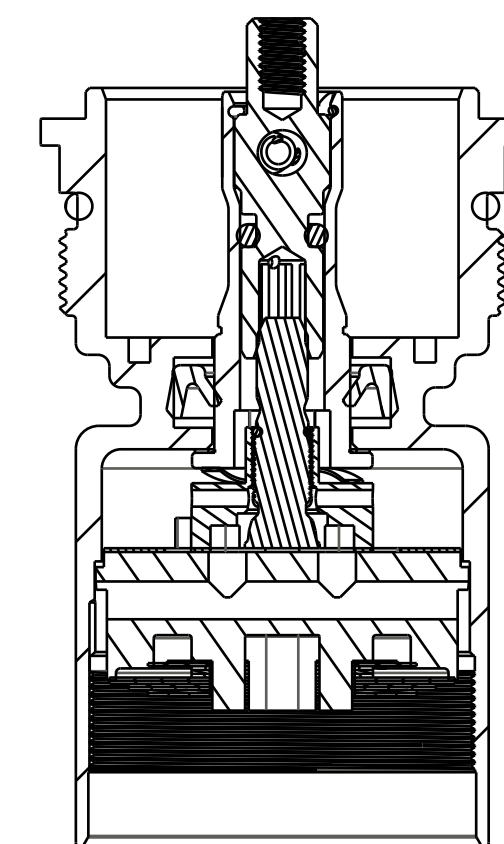
029-08-178
Seals: O-Ring [30.0mm X 1.5mm CS] Metric, N-70, Static

036-01-093
Seals: U-cup, Low Friction, 9mm Shaft



820-03-624-KIT
2020 FIT4 Compression Valving Assy, CL tune, 8mm Shaft

TOPCAP PARTS:
820-03-539-KIT: 2018 FIT4 Lightweight F-S Top Cap Parts, Remote, U-Cup, Push-Lock
820-03-542-KIT: 2018 FIT4 Lightweight F-S Top Cap Parts, Remote, U-Cup, Push-Unlock
820-03-534-KIT: 2018 FIT4 Lightweight F-S Top Cap Parts, Remote, U-Cup



FOX FOX Factory, Inc. Ph 831-768-1100
130 Hangar Way, Watsonville, CA 95076 USA Fax 831-768-9312

TITLE
2020 36 E-Bike+ FIT4 F-S
Remote Topcap Assemblies

SIZE DWG. NO.

C

PLOT SCALE | .50:1

SHEET 1 OF 1

PROPRIETARY
THIS DOCUMENT CONTAINS CONFIDENTIAL, PROPRIETARY INFORMATION
THAT IS FOX PROPERTY. DO NOT DISCLOSE TO OR DUPLICATE
FOR OTHERS EXCEPT AS AUTHORIZED BY FOX.

ProE ASSEM

4

3

2

1