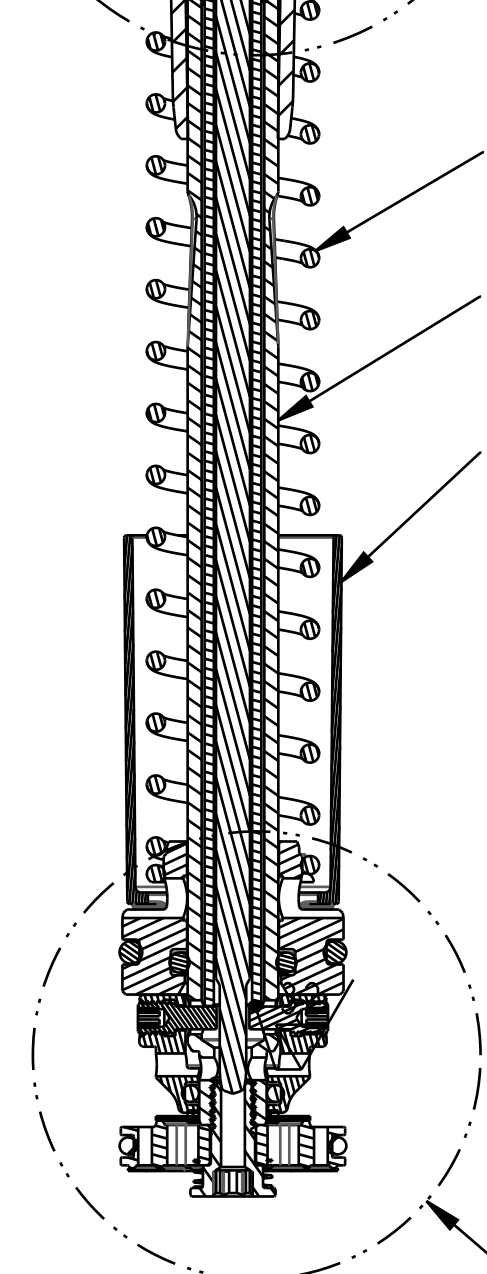


SEE DETAIL Z



039-00-378
Spring, Piston, Floating, Grip 160

Shaft, Damper, 8mm, Comp, Grip2, HSC / LSC, 36 180

231-00-026
Sleeve: Isolator, Spring, OD, Grip

SECTION A-A

SEE DETAIL Y

Damping Adj Part: Coupler, LSC, Grip2

Retaining Ring: Wire [.280 OD X .024 CS] SS

Seals: O-Ring [3.0MM ID x 1.5MM CS] Metric, N-70, Static

Seals: O-Ring [5.0MM ID x 1.5MM CS] Metric, N-90, Static

210-24-245

038-01-073

029-08-068

029-08-019

210-24-392

Damping Adjust Part: HSC Grip2

231-00-012

Sleeve: Isolator, Spring, ID, Grip 40

Seals: O-Ring [(-011) .070 C.S. X .301 ID] Standard, N-70, Static

029-03-011

223-00-049

Piston Floating: IFP, Grip2

Fastener Custom: Pin, Grip2

241-02-115

Damping Adj Part: Valve Loader, HSC, Grip2

210-24-241

820-03-530-KIT

2019 Grip2 Compression Valving

222-01-295

Piston Damping Comp 20.0 Bore

029-08-188

Seals: O-Ring [17mm ID X 1.5mm CS], N-90, Static

045-00-151

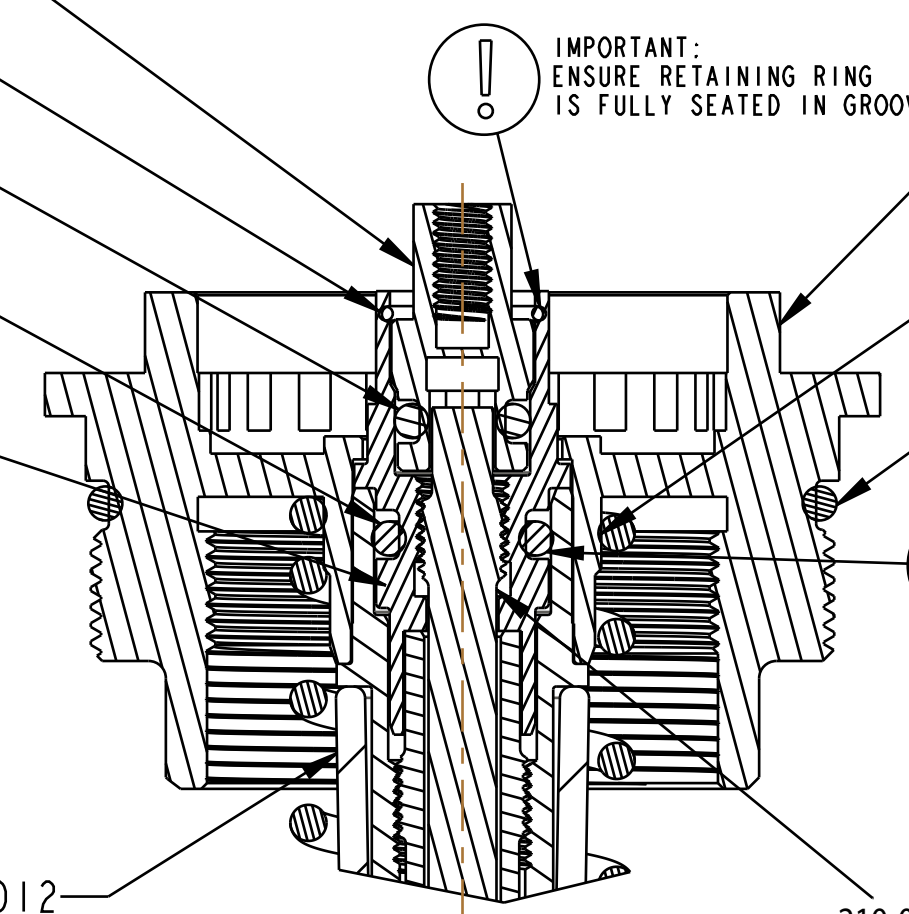
Valve: Metric [18.50mm OD X 5.55mm ID X 0.25mm THK] Custom, Check

039-00-398

Spring, Comp Check, Grip2

241-02-101

Fastener, Custom (Metric): Bolt Piston Comp Grip2



DETAIL Z
SCALE 3:1

IMPORTANT:
ENSURE RETAINING RING
IS FULLY SEATED IN GROOVE

Damping Adj Part: 2019 Topcap
36 Grip F-S, HSC / LSC

IMPORTANT:
ENSURE SPRING SNAPS ON MATING
PART (FULLY SEATED) BOTH ENDS

029-08-178

Seals: O-Ring [30.0mm X 1.5mm CS]
Metric, N-70, Static

IMPORTANT:
INSTALL O-RING DRY (NO GREASE)

210-03-280

Damping Adjust Part: Needle, LSC, Grip F-S, 36 180



DETAIL Y
SCALE 3:1

229-10-700

Shaft, HSC Grip F-S [3.897 TLG]

029-08-196

Seals: O-Ring [16.0mm ID X
2.0mm CS] Metric, N-70, Dynamic

TORQUE:
2X 2.5 ± .5 in-lb*

029-08-060

Seals: O-Ring [6.0mm ID x
1.5mm CS] Metric, N-70, Static

IMPORTANT:
DO NOT PINCH COMPRESSION VALVES
CHECK FUNCTION AFTER ASSY

IMPORTANT:
DO NOT PINCH CHECK VALVE
CHECK FUNCTION AFTER ASSY

TORQUE:
17 ± 2 in-lb*

PROPRIETARY
THIS DOCUMENT CONTAINS CONFIDENTIAL, PROPRIETARY INFORMATION
THAT IS FOX PROPERTY. DO NOT DISCLOSE TO OR DUPLICATE
FOR OTHERS EXCEPT AS AUTHORIZED BY FOX.

FOX Factory, Inc. 130 Hangar Way, Watsonville, CA 95076 USA Ph 831-768-1100 Fax 831-768-9312	
TITLE 2019 36 Grip2 Damper, Topcap Assy	
SIZE C	DWG. NO. 820-05-415-KIT
PLOT SCALE 1.5:1	SHEET 1 OF 3