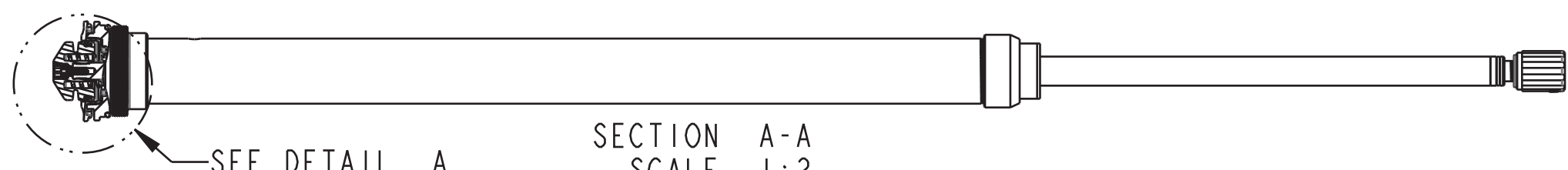


4

3

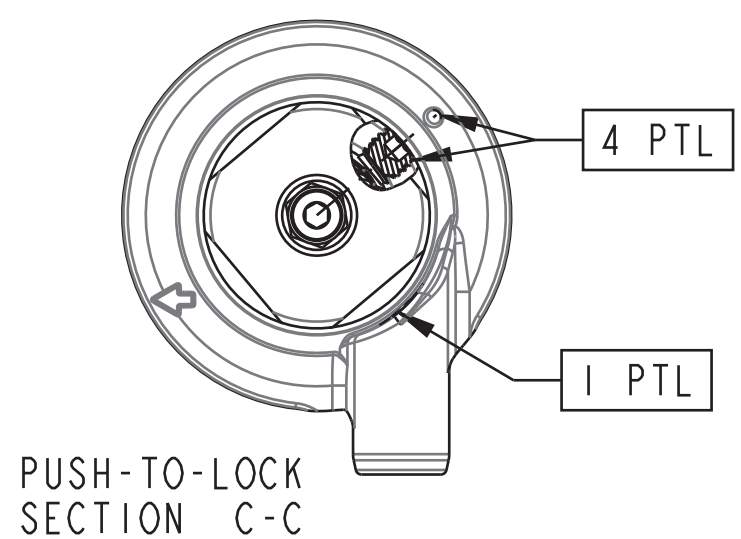
2

1



SEE DETAIL A

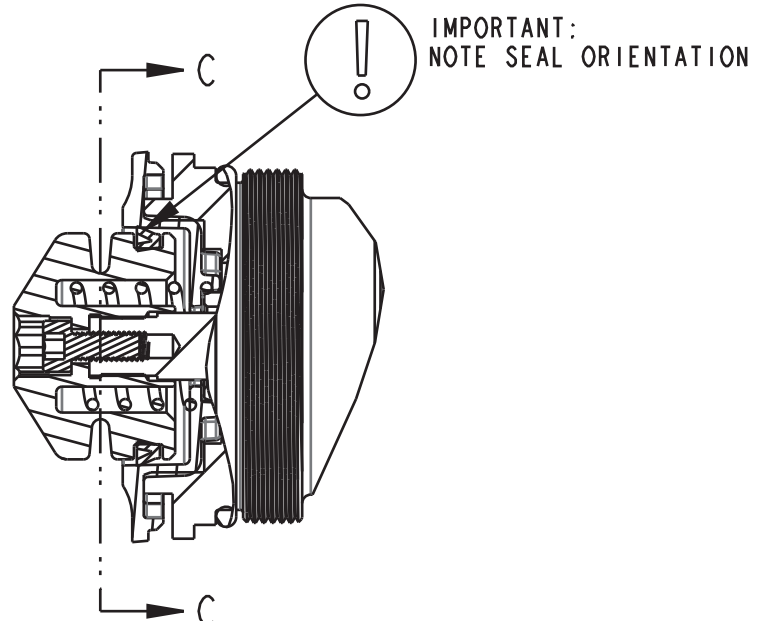
SECTION A-A  
SCALE 1:2



PUSH-TO-LOCK  
SECTION C-C

4 PTL

1 PTL



DETAIL A  
SCALE 3:2

IMPORTANT:  
NOTE SEAL ORIENTATION

018-01-004-A  
Fastener, Standard: Screw [#8-32 X 0.250 TLG]  
TORQUE:  
 $150 \pm 7$   
(IN-LB)

REFERENCE ONLY  
(FOR INSTALLATION  
INTO FORK)

LOCTITE:  
BLUE 243, ONE DROP  
APPLY PER 605-14-175

TORQUE:  
 $5.0 \pm 0.5$  IN.LB.

210-03-178  
Knob, Rebound, 2-Stroke, Knurled, M10 Nut

241-00-022  
Fastener, Custom: Nut, Bottom, 011

820-05-518-KIT  
2019 36 Grip Bottom Stud Interface Parts

241-01-011  
Fastener, Custom: Crush Washer, Plastic, 13mm

TORQUE: PUSH-TO-LOCK & PUSH-TO-UNLOCK:  
NEEDLE TO  $1.4 \pm .15$  IN-LB BEFORE  
INSTALLING TOPCAP INTERFACE PARTS  
(SAME TORQUE FOR CARTRIDGE DYNO)

REFERENCE ONLY  
(FOR INSTALLATION  
INTO FORK)

TORQUE:  
 $220 \pm 5$  IN.LB.

210-24-489  
Housing, Remote, Hubless, 2020 Grip PTL, Plastic

820-05-611-KIT  
2020 Grip Push-Lock Remote, Topcap Interface Parts

039-00-521  
Spring: Torsion, Remote, 2020 Grip PTL, LH Wound

GREASE:  
THIN LAYER BLUE MARINE GREASE  
ID AND OD

036-01-044  
Seals: U-Cup, Shore 70A, 2013 CTD-ADJ, Remote Fit-CTD and Remote O/C-CTD

019-01-140  
Fastener: Custom (Metric): Set Screw [M4 x .7mm x 3mm] SST, Patchlock

210-24-484  
Cable Pulley Remote, 2020 GRIP

019-01-148  
Fastener Standard (Metric): Screw [M2.5X8mm] Socket Head Cap, SS

PROPRIETARY  
THIS DOCUMENT CONTAINS CONFIDENTIAL, PROPRIETARY INFORMATION  
THAT IS FOX PROPERTY. DO NOT DISCLOSE TO OR DUPLICATE  
FOR OTHERS EXCEPT AS AUTHORIZED BY FOX.

		<b>FOX Factory, Inc.</b>	Ph 831-768-1100
		130 Hangar Way, Watsonville, CA 95076 USA	Fax 831-768-9312
TITLE <b>2020 36 180 MAX, Grip E-Bike+ Push-Lock Remote Cart Assy Complete</b>			
SIZE	DWG. NO.	<b>820-18-278-KIT</b>	
<b>C</b>			
PLOT SCALE ~1:1		SHEET 1 OF 1	

4

3

2

1

ProE ASSEM