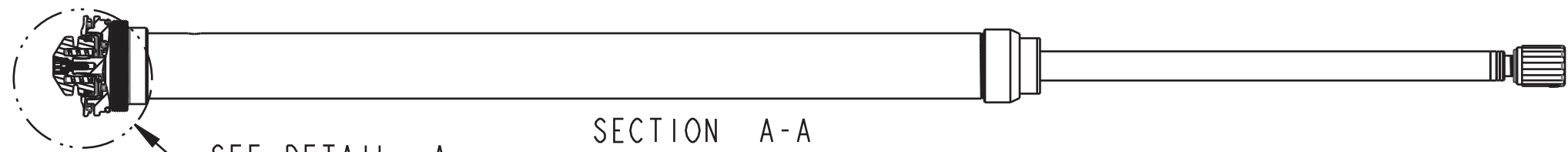


4

3

2

1



SEE DETAIL A

SECTION A-A  
SCALE 1:2

IMPORTANT:  
NOTE SEAL ORIENTATION

Fastener, Standard: Screw [#8-32 X 0.250 TLG]

TORQUE:  
50±5  
(IN-LB)

LOCTITE:  
BLUE 243, ONE DROP  
APPLY PER 605-14-175

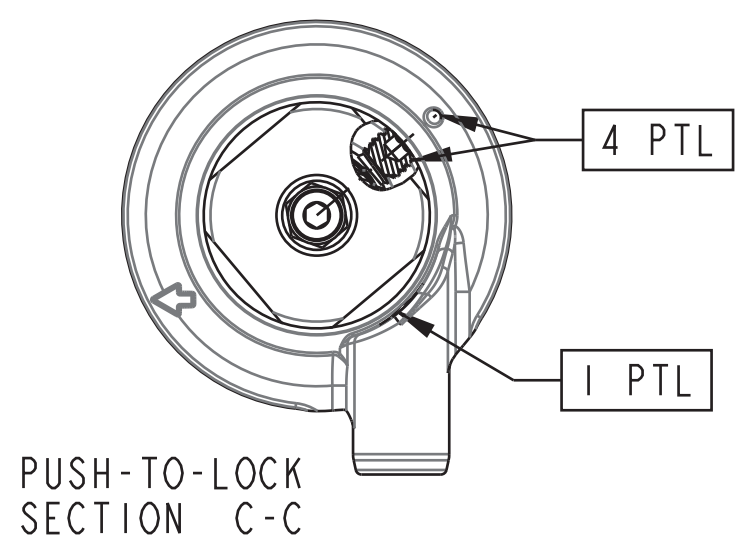
TORQUE:  
5.0±0.5 IN.LB.

REBOUND KNOBS:  
210-22-726: Knob: Rebound Adjust, Extruded, Red, Grip  
210-24-032: Knob, Rebound Adjust, Grip Extruded, Red, 29

241-00-005  
Fastener, Custom: Nut, Bottom, R\_RL\_RLC

BASE STUD INTERFACE PARTS:  
820-05-374-KIT: 2017 Grip Bottom Stud Interface Parts  
820-05-326-KIT: 2017 34 29in Grip Bottom Stud Interface Parts

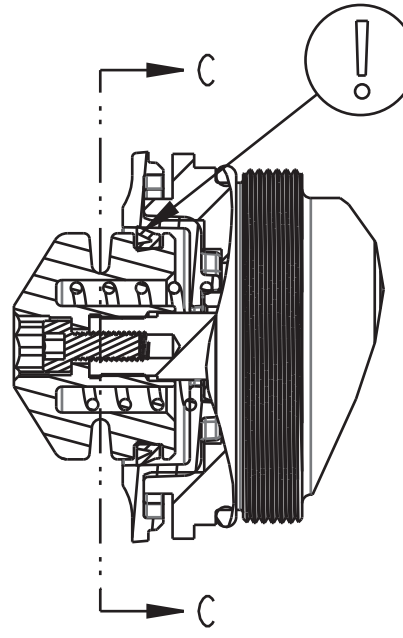
241-01-002-C  
Fastener, Custom: Crush Washer, Plastic, R\_RL\_RLC



PUSH-TO-LOCK  
SECTION C-C

4 PTL

1 PTL



DETAIL A  
SCALE 3:2

REFERENCE ONLY  
(FOR INSTALLATION  
INTO FORK)

TORQUE: PUSH-TO-LOCK & PUSH-TO-UNLOCK:  
NEEDLE TO 1.4 ± .15 IN-LB BEFORE  
INSTALLING TOPCAP INTERFACE PARTS  
(SAME TORQUE FOR CARTRIDGE DYNO)

REFERENCE ONLY  
(FOR INSTALLATION  
INTO FORK)

TORQUE:  
220±5 IN.LB.

210-24-489  
Housing, Remote, Hubless, 2020 Grip PTL, Plastic

820-05-611-KIT  
2020 Grip Push-Lock Remote, Topcap Interface Parts

039-00-521  
Spring: Torsion, Remote, 2020 Grip PTL, LH Wound

GREASE:  
THIN LAYER BLUE MARINE GREASE  
ID AND OD

036-01-044  
Seals: U-Cup, Shore 70A, 2013 CTD-ADJ, Remote Fit-CTD and Remote O/C-CTD

019-01-140  
Fastener: Custom (Metric): Set Screw [M4 x .7mm x 3mm] SST, Patchlock

210-24-484  
Cable Pulley Remote, 2020 GRIP

019-01-148  
Fastener Standard (Metric): Screw [M2.5X8mm] Socket Head Cap, SS

PROPRIETARY -  
THIS DOCUMENT CONTAINS CONFIDENTIAL, PROPRIETARY INFORMATION  
THAT IS FOX PROPERTY. DO NOT DISCLOSE TO OR DUPLICATE  
FOR OTHERS EXCEPT AS AUTHORIZED BY FOX.

**FOX** FOX Factory, Inc. Ph 831-768-1100  
130 Hangar Way, Watsonville, CA 95076 USA Fax 831-768-9312

TITLE  
**2020 32 Rhythm Grip Remote  
PTL Cartridge Assemblies Complete**

SIZE DWG. NO.  
**C**

PLOT SCALE ~1:1

SHEET 1 OF 1

4

3

2

ProE ASSEM