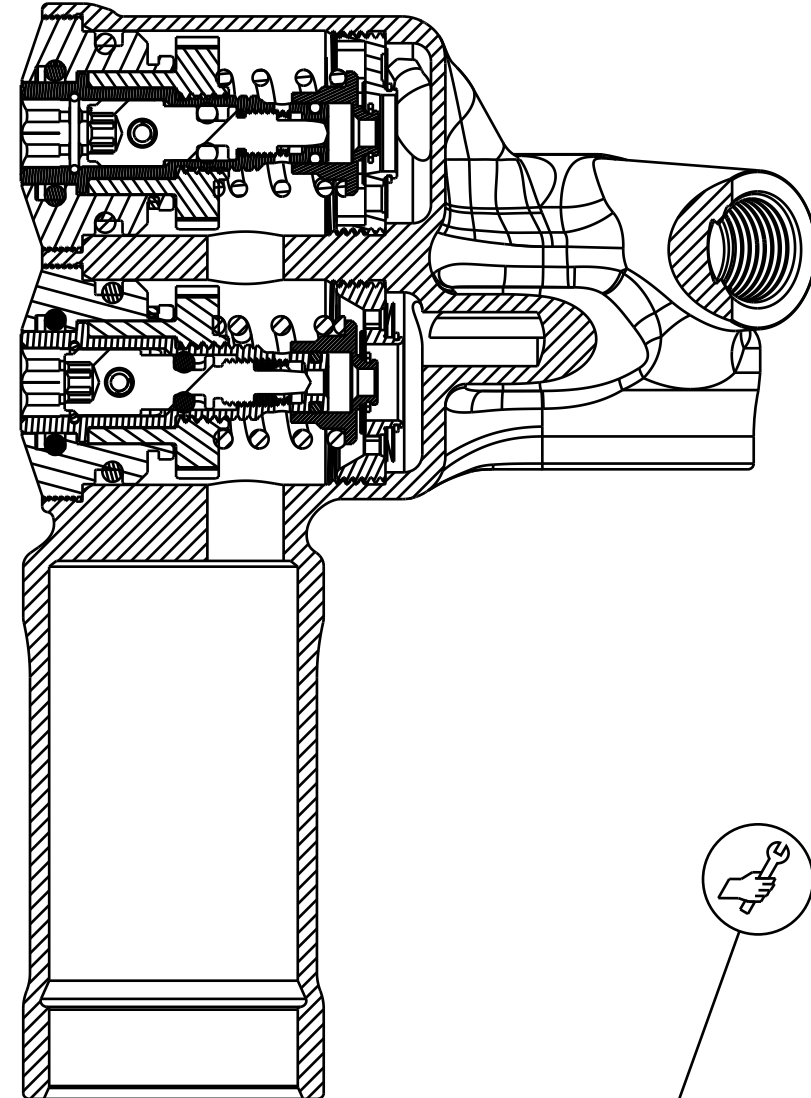
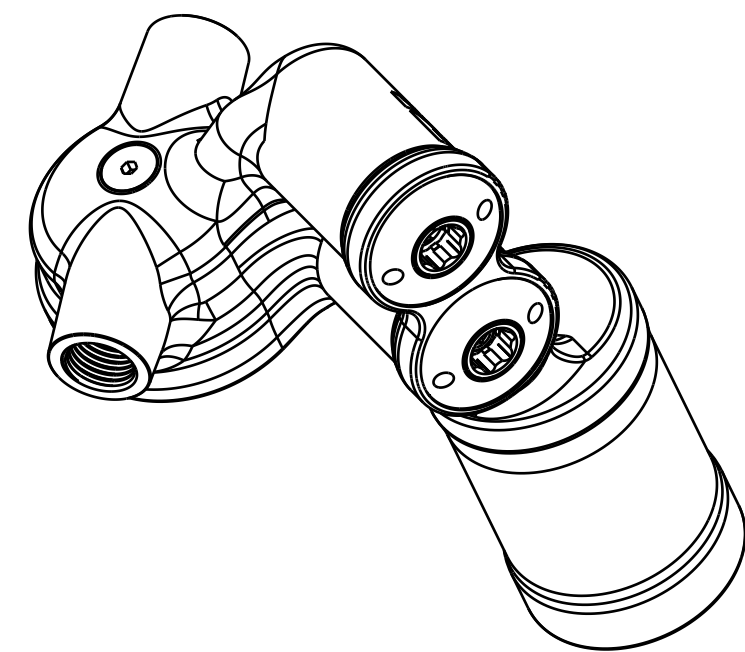


SECTION A-A
SCALE 1.500



SECTION B-B
SCALE 1.500



IMPORTANT:
DO NOT INSTALL O-RING
IN STRAIN RELIEF

TORQUE:
14±2 IN. LB.

Eyelet: 2019 X2, Trunion, Gusset, No Pockets

018-01-026
Screw [#6-32 X .250 TLG]

029-03-006
O-Ring (-006) [.070 C.S. X .114 ID]

815-02-070-KIT
Valve Seat Assy: Compression, .265in Bore, X2

IMPORTANT:
DO NOT MIX
815-00-080-KIT
Damping Adj Assy: 2018, X2, Compression, P-S

TORQUE:
80±5 IN. LB.

GREASE:
THIN LAYER
OF SLICK HONEY

815-00-079-KIT
Damping Adj Assy: 2018, X2, Rebound, P-S

815-02-063-KIT
Valve Seat Assy: Rebound, .247in Bore, X2

TORQUE:
80±5 IN. LB.
LEFT HAND THREAD

Seals: O-Ring [(-023) .070 C.S. X 1.051 ID] Standard, N-70, Static

029-03-023
O-Ring (-025) [.070 C.S. X 1.176 ID]

GREASE:
THIN LAYER
OF SLICK HONEY

FOX FOX Factory, Inc. Ph 831-768-1100
130 Hangar Way, Watsonville, CA 95076 USA Fax 831-768-9312

TITLE
Eyelet Assy: 2018, Float X2,
P-S, LSC, LSR, Trunion

SIZE DWG. NO. 808-17-364-KIT

PLOT SCALE | .00 : 1 | SHEET | OF |

- PROPRIETARY -
THIS DOCUMENT CONTAINS CONFIDENTIAL, PROPRIETARY INFORMATION
THAT IS FOX PROPERTY. DO NOT DISCLOSE TO OR DUPLICATE
FOR OTHERS EXCEPT AS AUTHORIZED BY FOX.