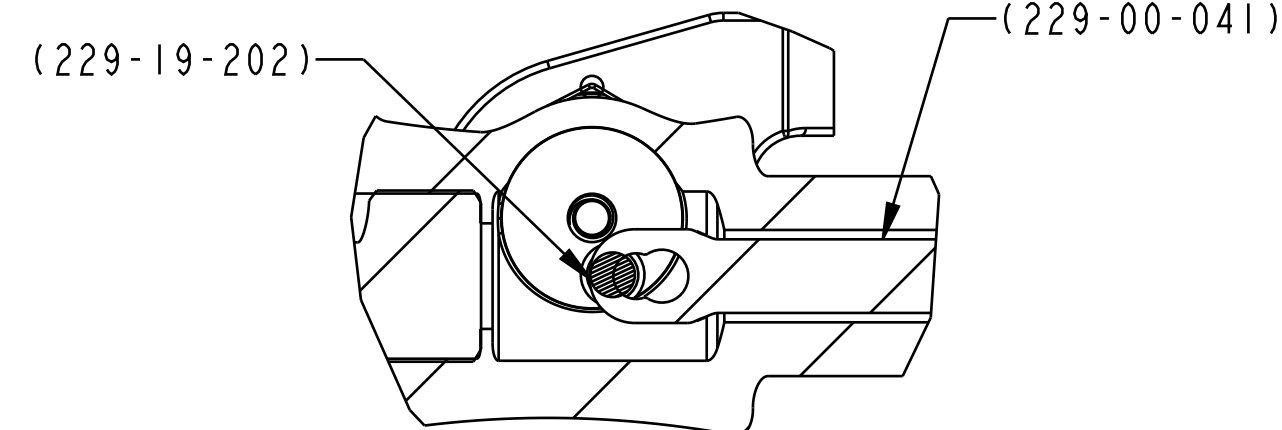


GREASE:
THIN LAYER
OF SLICK HONEY

SECTION B-B
SCALE 2:1



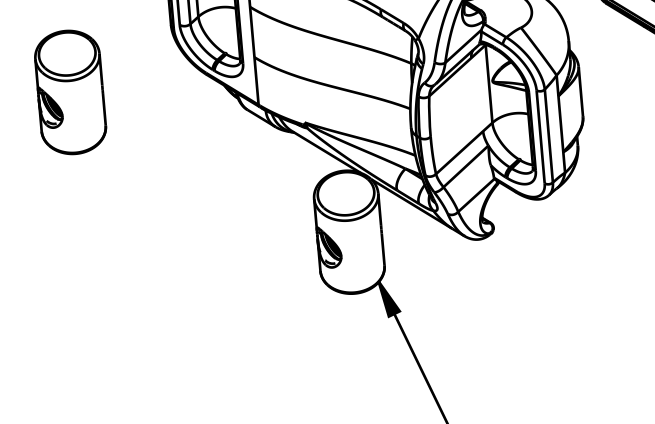
SECTION D-D

241-01-040
Fastener, Custom, Washer: Spherical, Saddle Clamp, 2013 DOSS

225-00-048
Clamp, Saddle, Lower, Forged DOSS

SHORT TABS ON LOWER CLAMP SHALL BE ORIENTED FORWARD OR IN THE DIRECTION OF THE UPPER CLAMP ARROWS.

225-00-047
Clamp, Saddle, Upper, Forged, DOSS



229-19-207
Shaft Cross Pin, Saddle Clamp, Seat Post

TORQUE:
45 IN. LB.

LINKAGE

GREASE:
THIN LAYER OF
SLICK HONEY

INDEX PIN

UPPER POST ASSEMBLY

241-02-105
Fastener, Custom: Seat Post Bolt with Conical Under Head Feature

IMPORTANT:
SPHERICAL CUT ON WASHER
FACES TOWARD BOLT HEAD

225-00-170
Pellet, Fill Screw, 2018 Transfer, CI

225-00-113
Pin: Dowel [1.5mm OD x 2.92mm TLG] SST

003-00-087
Bushing, Delrin, Bell Crank, External Cable, Seatpost

229-19-202
Shaft: Bell Crank, Seat Post

TORQUE:
15±3 IN. LB.

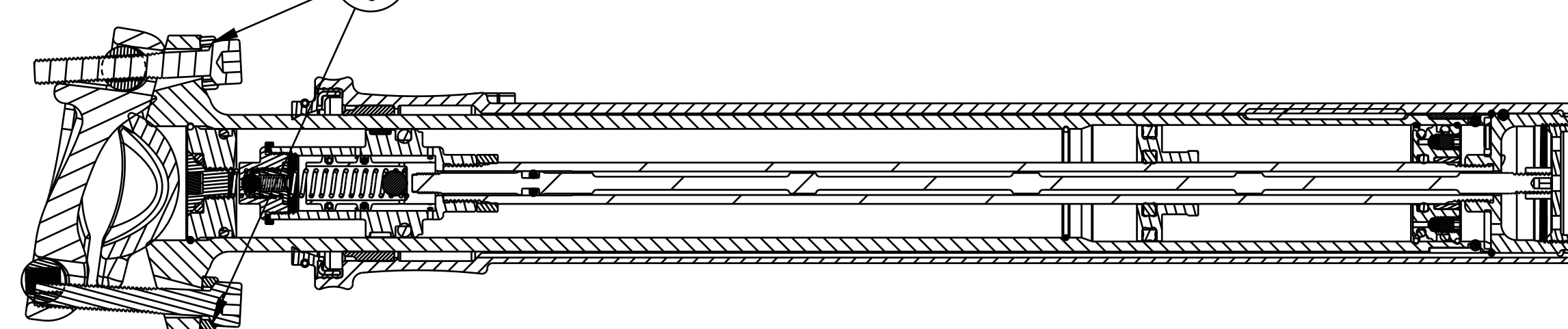
803-01-415
Service Set: Transfer, External, Cable Interface Parts
(Parts not available individually)

038-00-132
Retaining Ring: Internal Wire Ring, 27MM X 1.2MM C/S

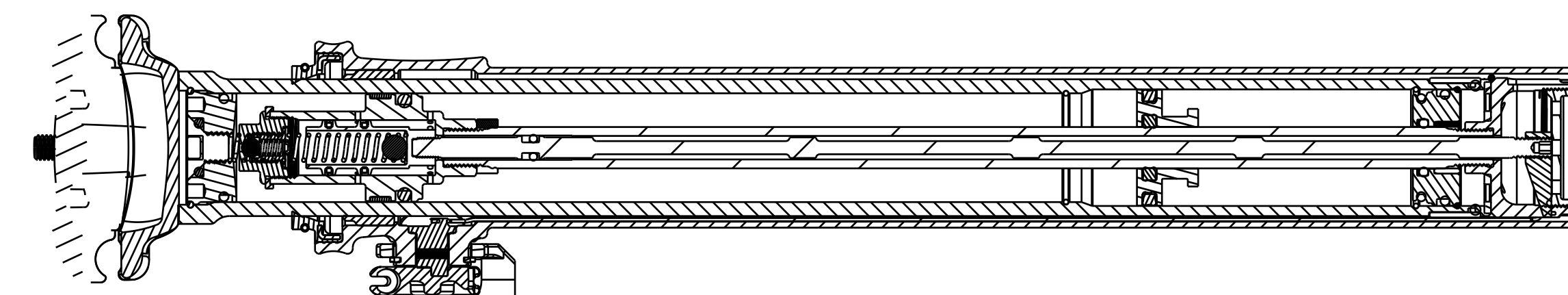
225-00-032
Bottom Cap, Seat Post

! CABLE INTERFACE SHOULD BE IN DIRECTION OF POST AXIS

! IMPORTANT:
SPHERICAL CUT ON WASHER
FACES TOWARD BOLT HEAD



SECTION A-A



SECTION B-B

PROPRIETARY - PROPRIETARY INFORMATION
THIS DOCUMENT CONTAINS CONFIDENTIAL, PROPRIETARY INFORMATION
THAT IS FOR PROPERTY. DO NOT DISCLOSE TO OR DUPLICATE
FOR OTHERS EXCEPT AS AUTHORIZED BY FOX.

FOX FOX Factory, Inc. Ph 831-768-1100
130 Hangar Way, Watsonville, CA 95076 USA Fax 831-768-9312

TITLE
ASSY DRAWING, 2018 SEAT POST
COMPLETE, EXTERNAL CABLE

SIZE DWG. NO.
D
PLOT SCALE 1:1:1 SHEET 1 OF 1