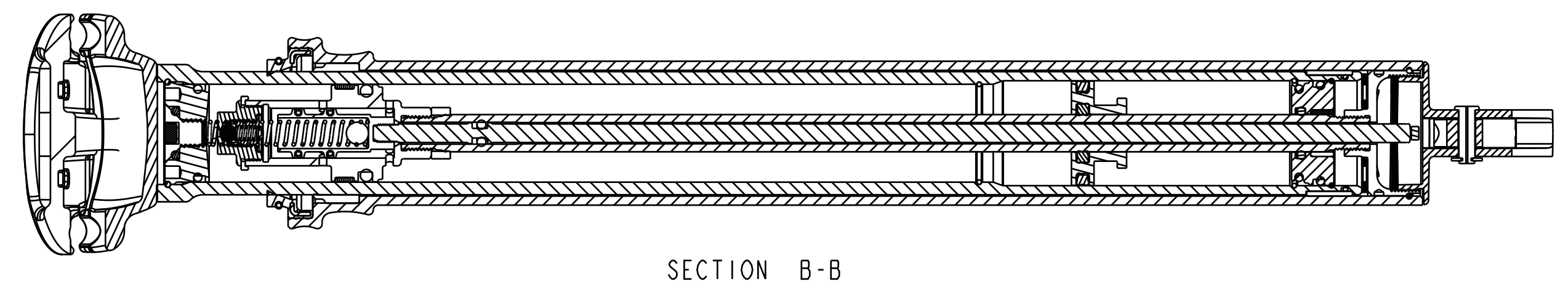
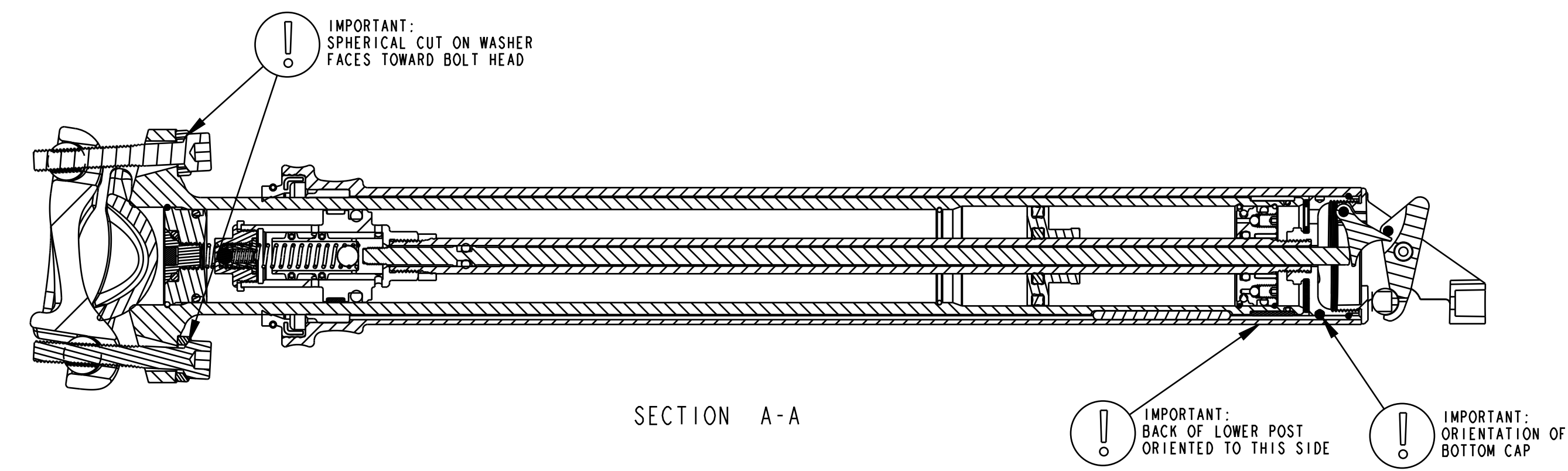
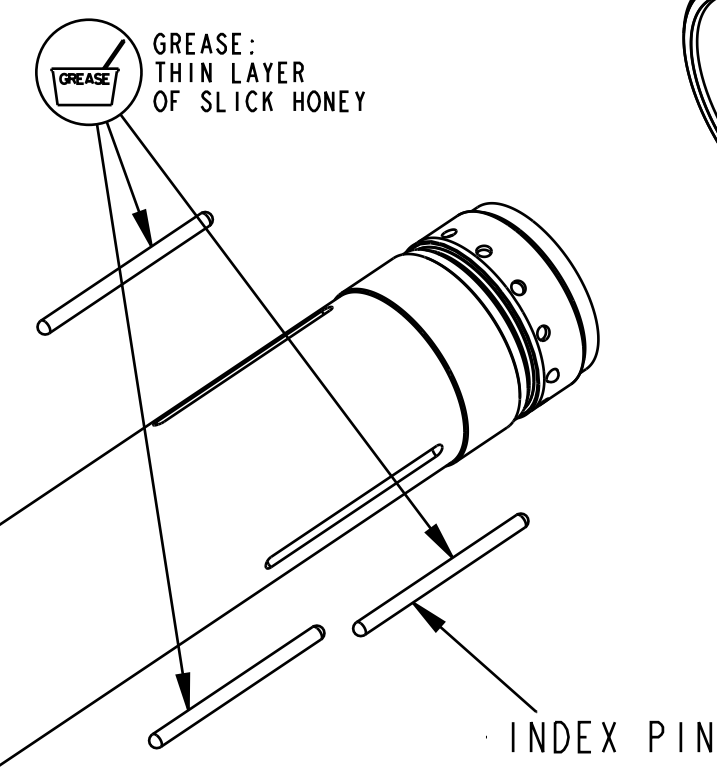
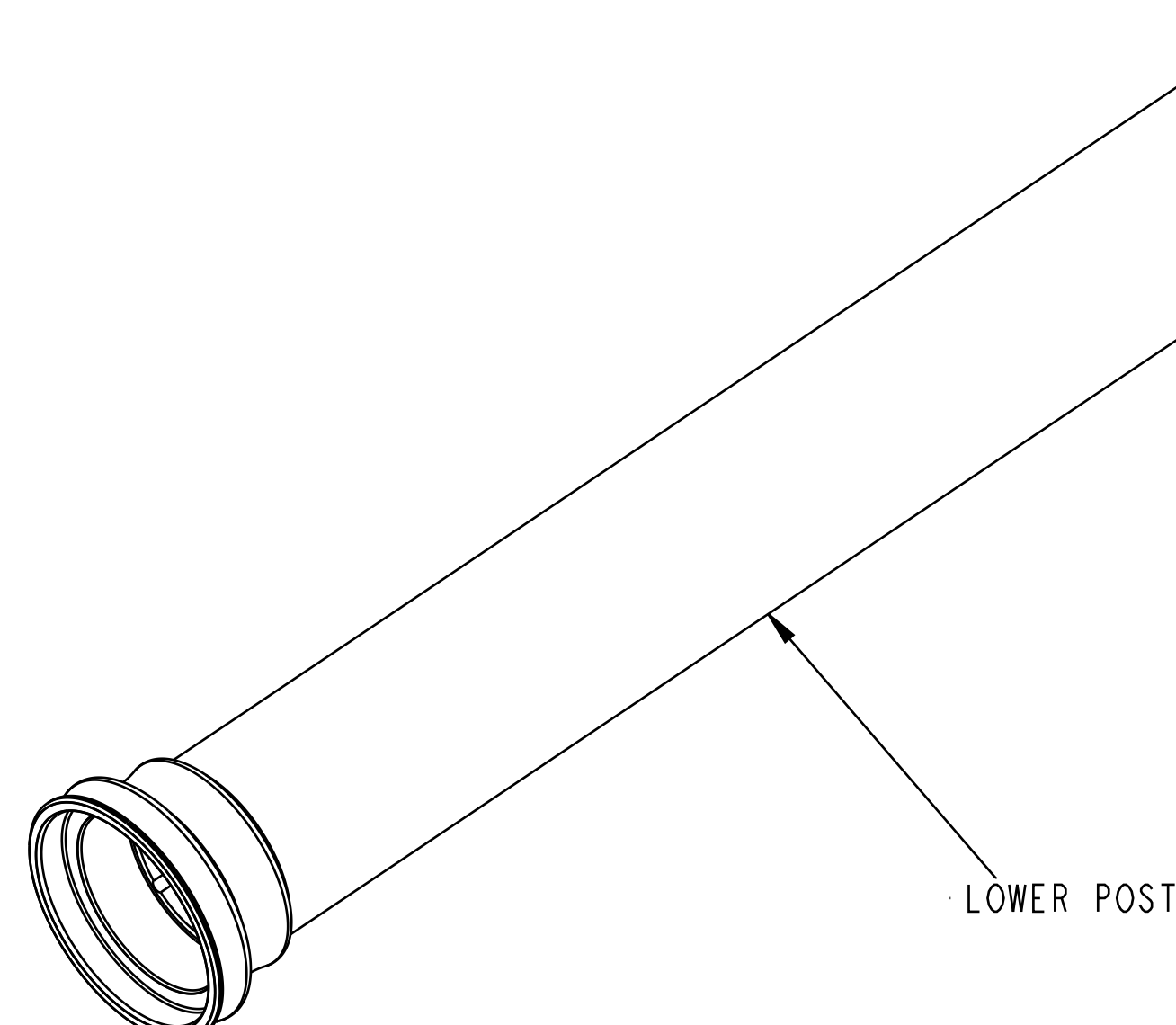
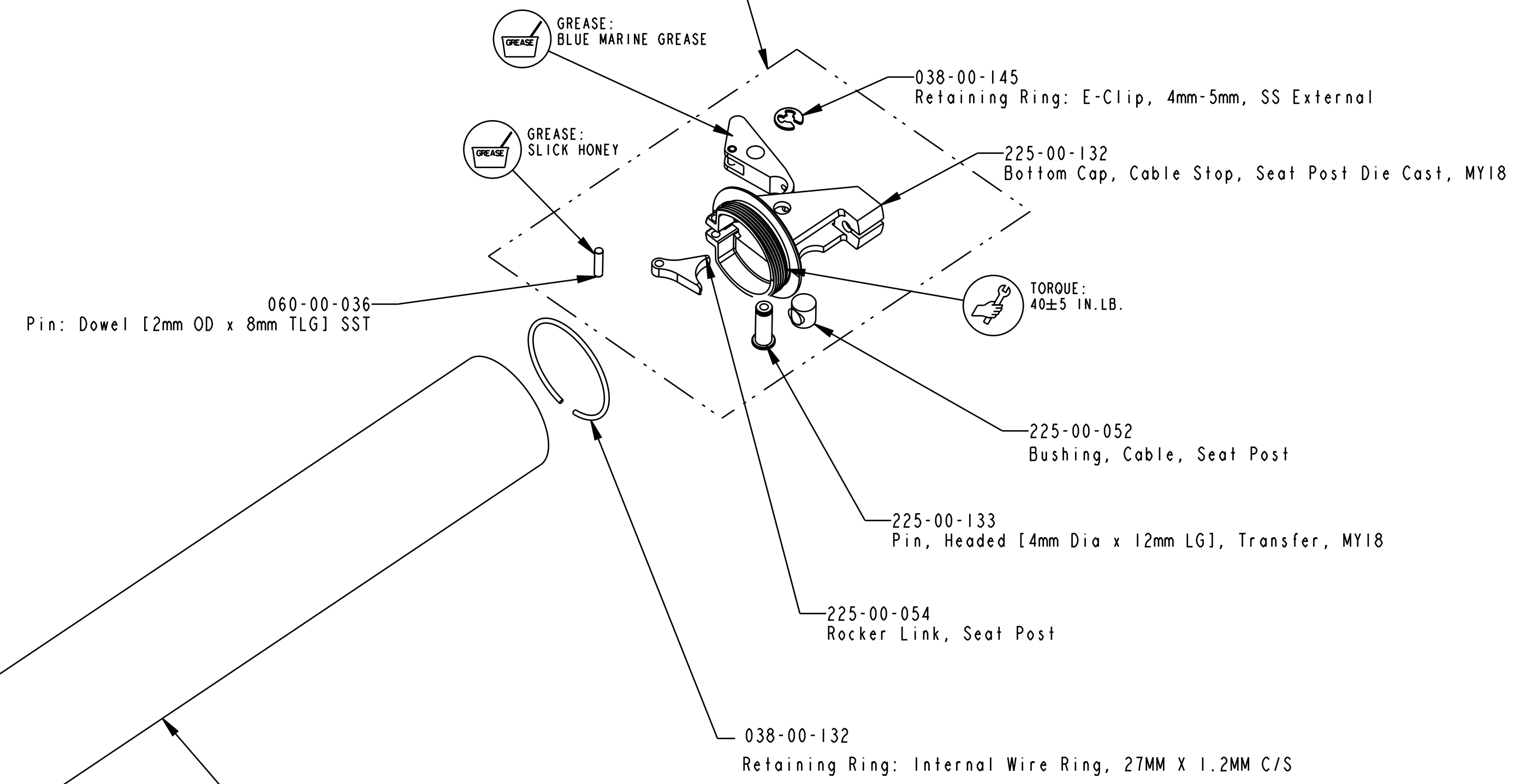
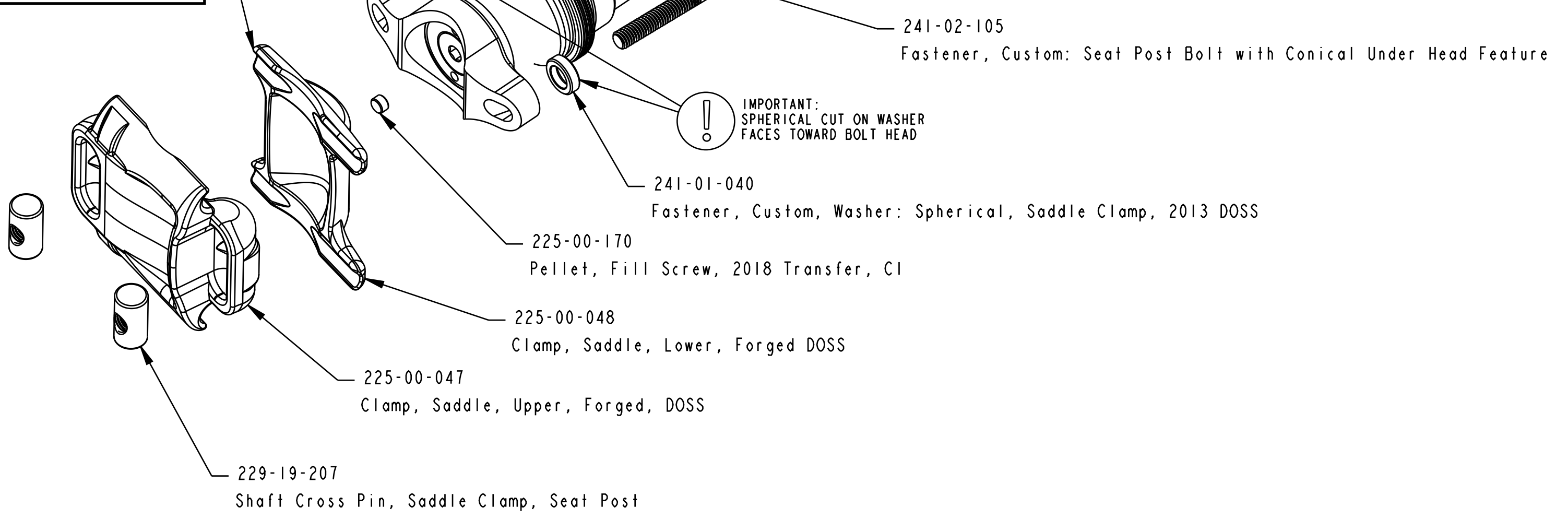


825-07-002-KIT
2018 Transfer, Internal, Die-Cast Bottom Cap Assy

THE 825-07-002-KIT COMES FULLY ASSEMBLED



SHORT TABS ON LOWER CLAMP SHALL BE ORIENTED FORWARD OR IN THE DIRECTION OF THE UPPER CLAMP ARROWS.



PROPRIETARY - THIS DOCUMENT CONTAINS CONFIDENTIAL, PROPRIETARY INFORMATION THAT IS FOR PROPERTY. DO NOT DISCLOSE TO OR DUPLICATE FOR OTHERS EXCEPT AS AUTHORIZED BY FOX.

FOX Factory, Inc.
130 Hangar Way, Watsonville, CA 95076 USA
Ph 831-768-1100 Fax 831-768-9312

TITLE: **Assy Drawing, 2018 Seat Post Complete, Internal Cable**

SIZE: DWG. NO. **D**

PLOT SCALE: 1.00:1

SHEET 1 OF 1