

Damping Adjust Part: RD Knob, Float DPX2, Red

Seals: o-ring [15.5mm ID X 1.5mm CS], N-70, Static

029-08-145

TORQUE:
90±5 IN LB

Eyelet: Shaft End, Float DPX2, Standard Mounting

(039-00-399)

804-00-157-KIT
Eyelet Cap Assembly: DPX2, Rebound, V2

IMPORTANT:
ADJUSTER IN END CAP MUST BE SET TO "ALL OUT"
POSITION BEFORE INSTALLATION INTO EYELET

GREASE:
THIN LAYER
HIGH TEMP BLUE

Spring: Detent [1.50 TLG, .312 OD, 1 lb/in]

039-00-399

TORQUE:
110±5 IN LB

BASE VALVE ASSEMBLY
(NOT INCLUDED IN 808-17-397-KIT)

804-00-157-KIT

IMPORTANT:
ADJUSTER IN END CAP MUST BE SET TO "ALL OUT"
POSITION BEFORE INSTALLATION INTO EYELET

(029-08-145)

Damping Adjust Part: CD Knob, FLOAT DPX2 Comp Adj., Blue

210-03-295

TORQUE:
90±5 IN LB

GREASE:
THIN LAYER
HIGH TEMP BLUE

GREASE:
THIN LAYER
SLICK HONEY

029-03-025

O-Ring (-025) [1.070 C.S. X 1.176 ID]

GREASE:
THIN LAYER
SLICK HONEY

029-08-164

Seals: O-Ring [6.5mm ID x 1.5mm CS] Metric, N-70, Static

GREASE:
THIN LAYER
SLICK HONEY

029-08-030

Seals: O-Ring [10.0MM ID x 1.5MM CS] Metric, N-70, Static

029-00-032

Seals: O-Ring [(-032) .070 C.S. X 1.864 ID] Standard N674-70, Dynamic

GREASE:
THIN LAYER
SLICK HONEY

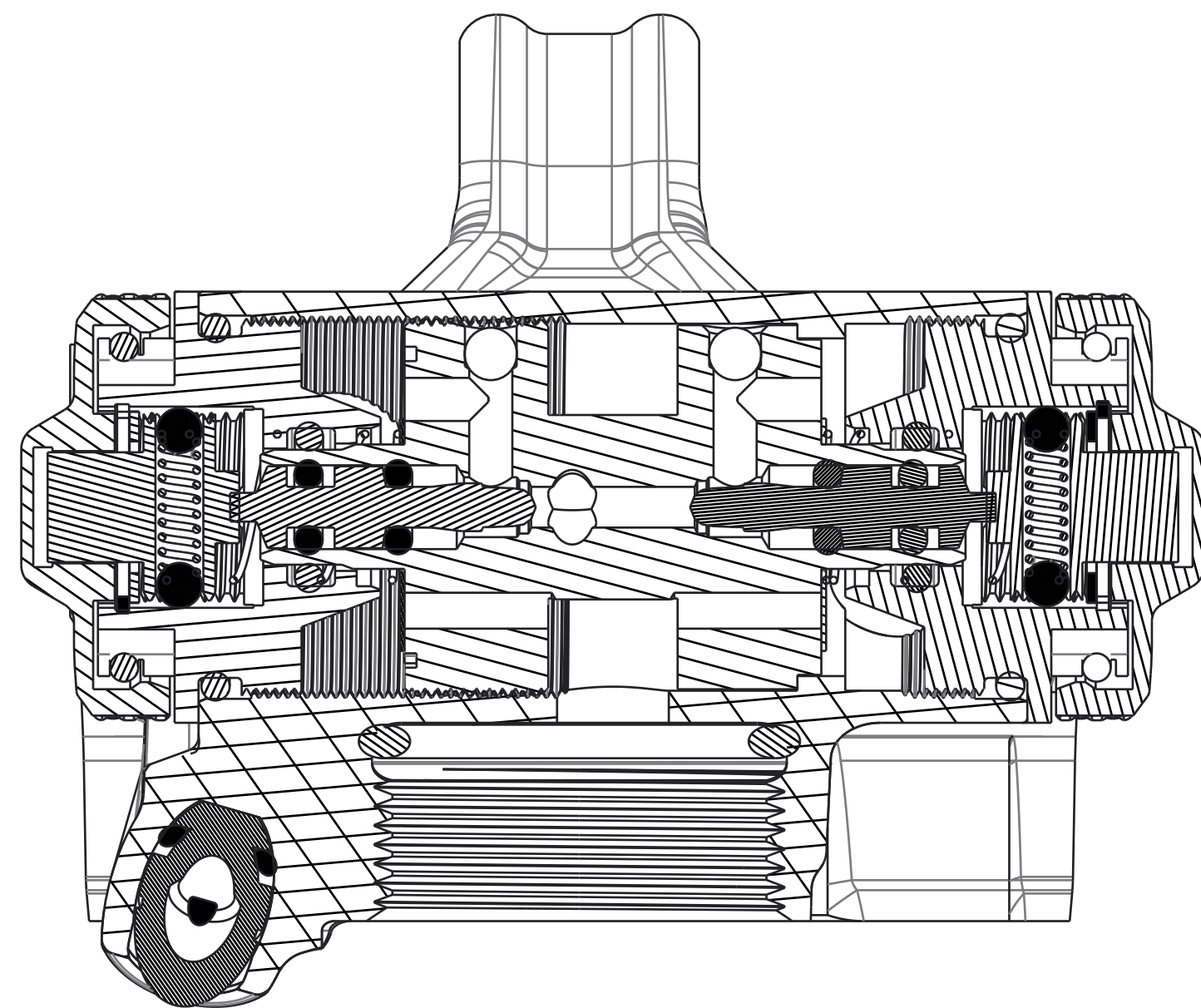
TORQUE:
35±5 IN LB

OIL:
THIN LAYER
FLOAT FLUID

802-00-007-KIT
Air Valve Assy: Slim[M6 X .75, 1.150 TLG]

010-00-057

Air Valve Parts: Cap, Air Valve [1.305-32], Black, 6061



SECTION B-B
SCALE 3:1

FOX Factory, Inc.
130 Hangar Way, Watsonville, CA 95076 USA
Ph 831-768-1100
Fax 831-768-9312

TITLE
Eyelet Assy: 2019
FLOAT DPX2 Comp Adj

SIZE DWG. NO. **808-17-397-KIT**
PLOT SCALE 2:1 SHEET 1 OF 1

PROPRIETARY
THIS DOCUMENT CONTAINS CONFIDENTIAL, PROPRIETARY INFORMATION
THAT IS FOR PROPERTY. DO NOT DISCLOSE TO OR DUPLICATE
FOR OTHERS EXCEPT AS AUTHORIZED BY FOX.