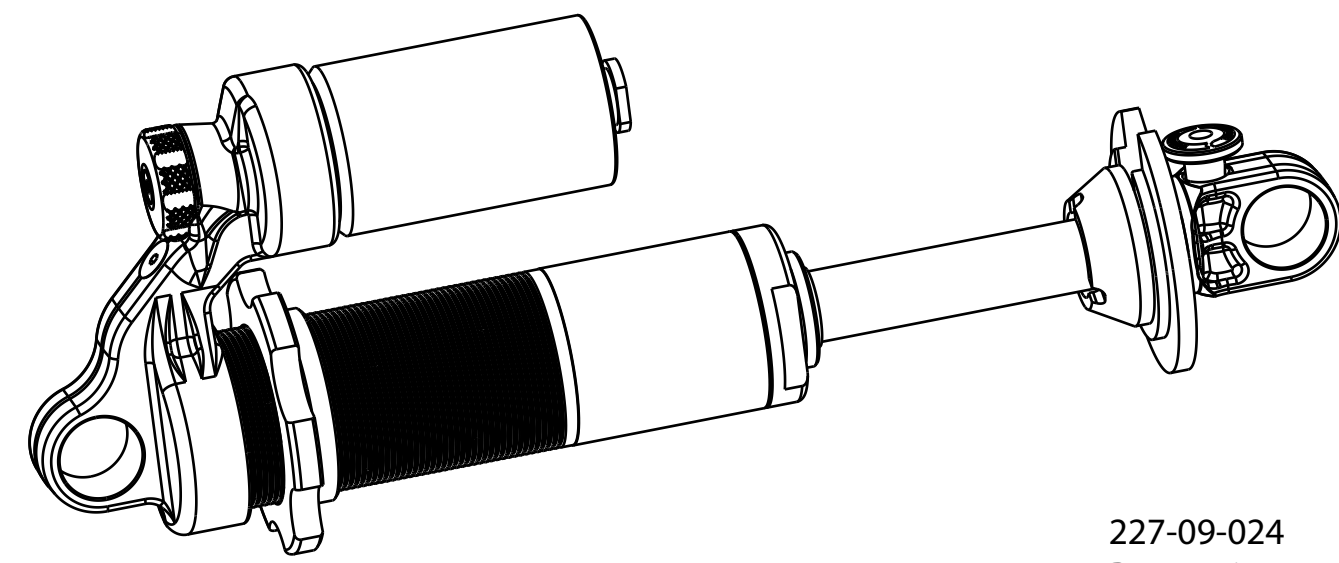


RESERVOIR 300±10PSI PRESSURE



227-09-024  
Reservoir: 2011 Van R, RC [1.070 Bore, 2.400 TLG, .940 Piston bore] Black Ano, Type III Class 2 w/ Seal

039-00-167  
Spring: Wave [1.50 OD X 3500 lb/in]

815-02-015-KIT  
Damping Adj Assy: 2011 VAN RC

TORQUE:  
30±2 FT.LB.

LOCTITE:  
BLUE 242

GREASE:  
THIN LAYER

805-00-027-KIT  
Piston Asm: Floating [Ø1.070 Bore, .325 TLG]

813-00-059-KIT  
Reservoir End Cap Asm: 07 Non Adjust, Wire Ring, Pellet [1.070 Bore]

038-01-024  
Retaining Ring: Wire [1.200 OD X .040 CS]

TORQUE:  
35±2 FT.LB.

GREASE:  
THIN LAYER

808-14-067-KIT  
Eyelet Asm: [Ø.500 Shaft X 1.463 TLG]

234-00-102  
Spring Retainer: Slotted [1.070 Bore, .500 Shaft, 1.850 OD X .275 TLG]

029-05-105  
O-Ring [1.050 C.S. X .154 ID]

REBOUND METERING ROD

SHAFT

008-01-016  
Bumper: B/O [Ø.498 Shaft, .400 TLG] Nitrile 60A

LOCTITE:  
RED 277  
FULL 360°  
2-3 THREADS

TORQUE:  
245 IN.LB.

TORQUE:  
75±5 IN.LB.

812-06-034-KIT  
Bearing Asm: [Ø1.070 Bore, 1.125-18 UNEF-2B, 0.975 TLG]

VALVING ASSEMBLY

BODY

LOCTITE:  
BLUE 242

TORQUE:  
35±2 FT.LB.

234-00-099  
Ring, Preload Collar [1.250-24 ID X 1.990 OD X .400 TLG]

804-12-008-KIT  
Body Cap Assy: Piggyback, 2011 VAN RC [1.070 Bore, Ø .500 Shaft]