

4

3

2

1

D

D

C

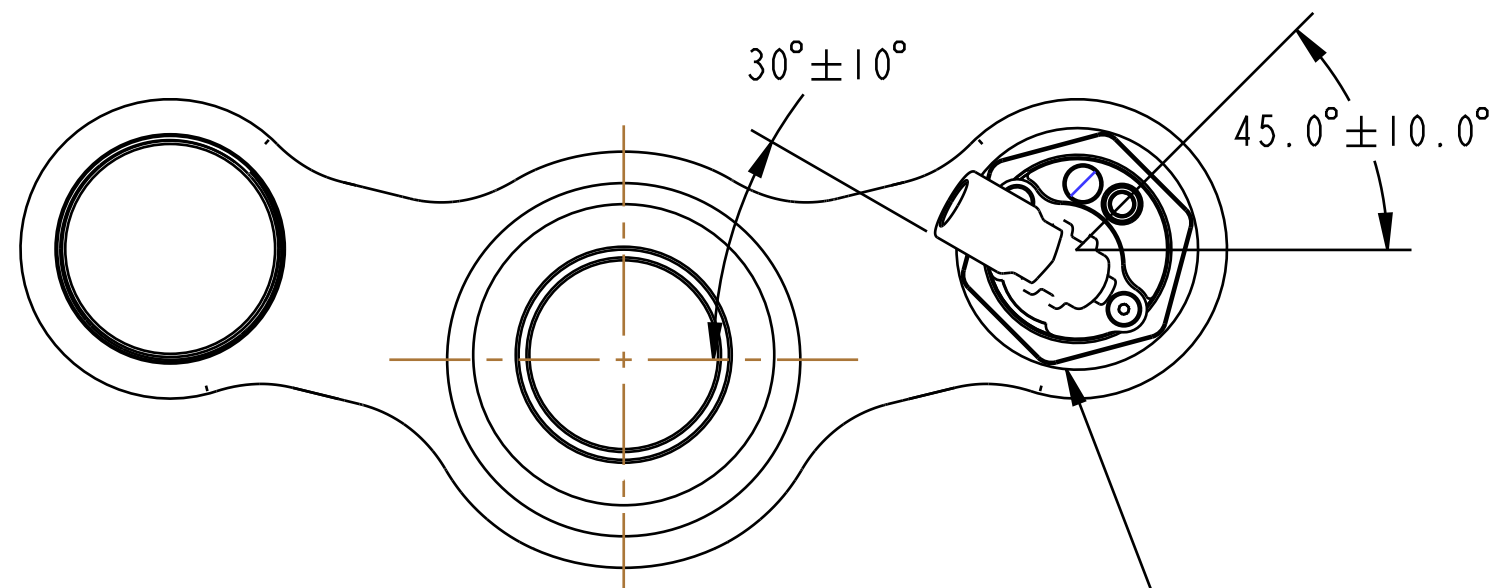
C

B

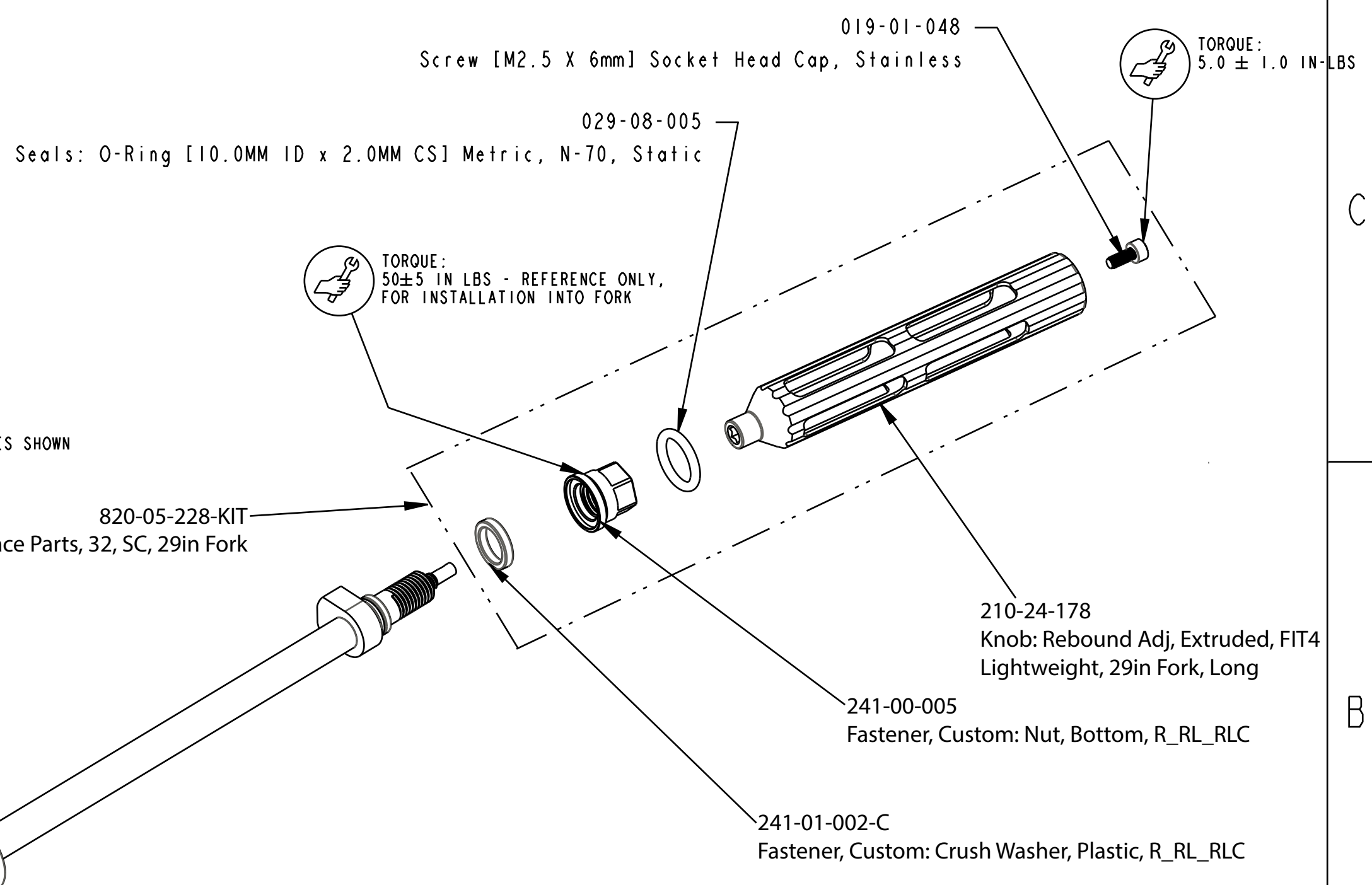
B

A

A



IMPORTANT:
AFTER TOPCAP IS TORQUED,
ALIGN ADJUSTER AND CAP AT ANGLES SHOWN



010-01-003
Ball [Ø 0.1875] Delrin

TORQUE:
220 ± 5 IN LB
INTO FORK

- PROPRIETARY -
THIS DOCUMENT CONTAINS CONFIDENTIAL, PROPRIETARY INFORMATION
THAT IS FOX PROPERTY. DO NOT DISCLOSE TO OR DUPLICATE
FOR OTHERS EXCEPT AS AUTHORIZED BY FOX.

| | | | |
|--|----------|--------------------------|-------------------------------------|
| | | FOX Factory, Inc. | Ph 831-768-1100 Fax 831-768-9312 |
| 130 Hangar Way, Watsonville, CA 95076 USA | | | |
| TITLE 2020 LIVE Valve Cartridge Complete 32mm SC (AM: Giant Anthem Adv Pro 29) | | | |
| SIZE | DWG. NO. | | |
| C | | | |
| PLOT SCALE | NONE | SHEET 1 OF 1 | |

4

3

2

1

ProE ASSEM