

4

3

2

1

D

D

C

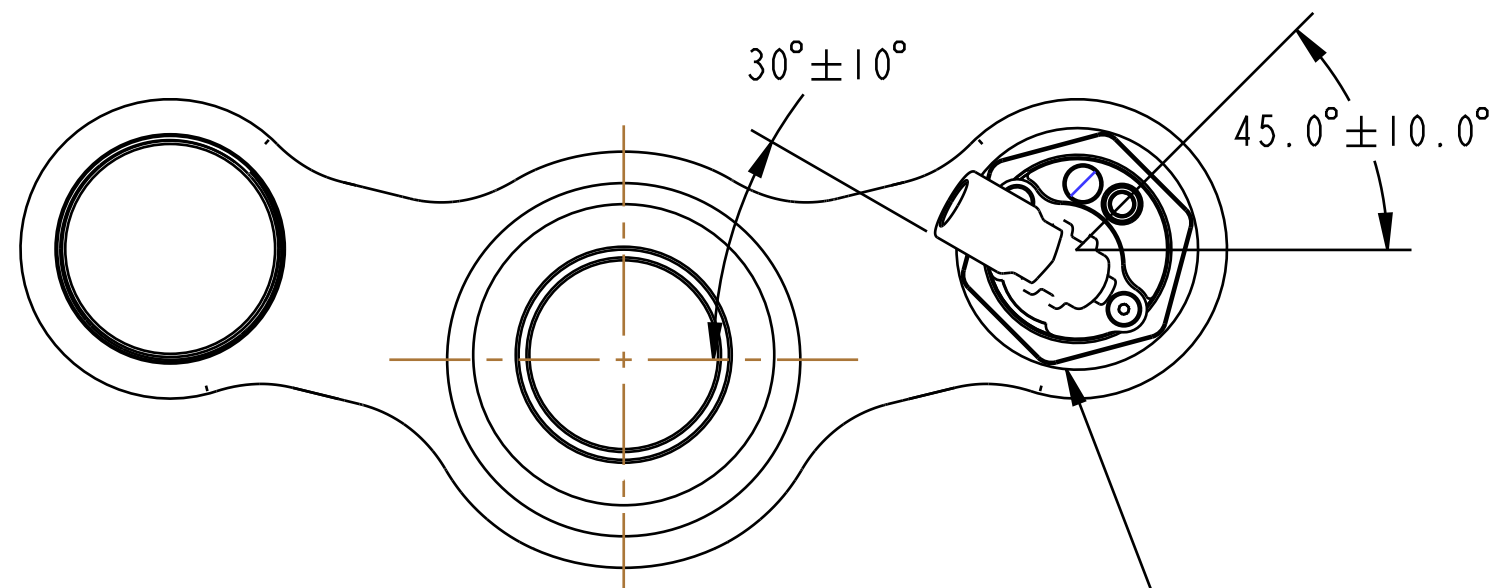
C

B

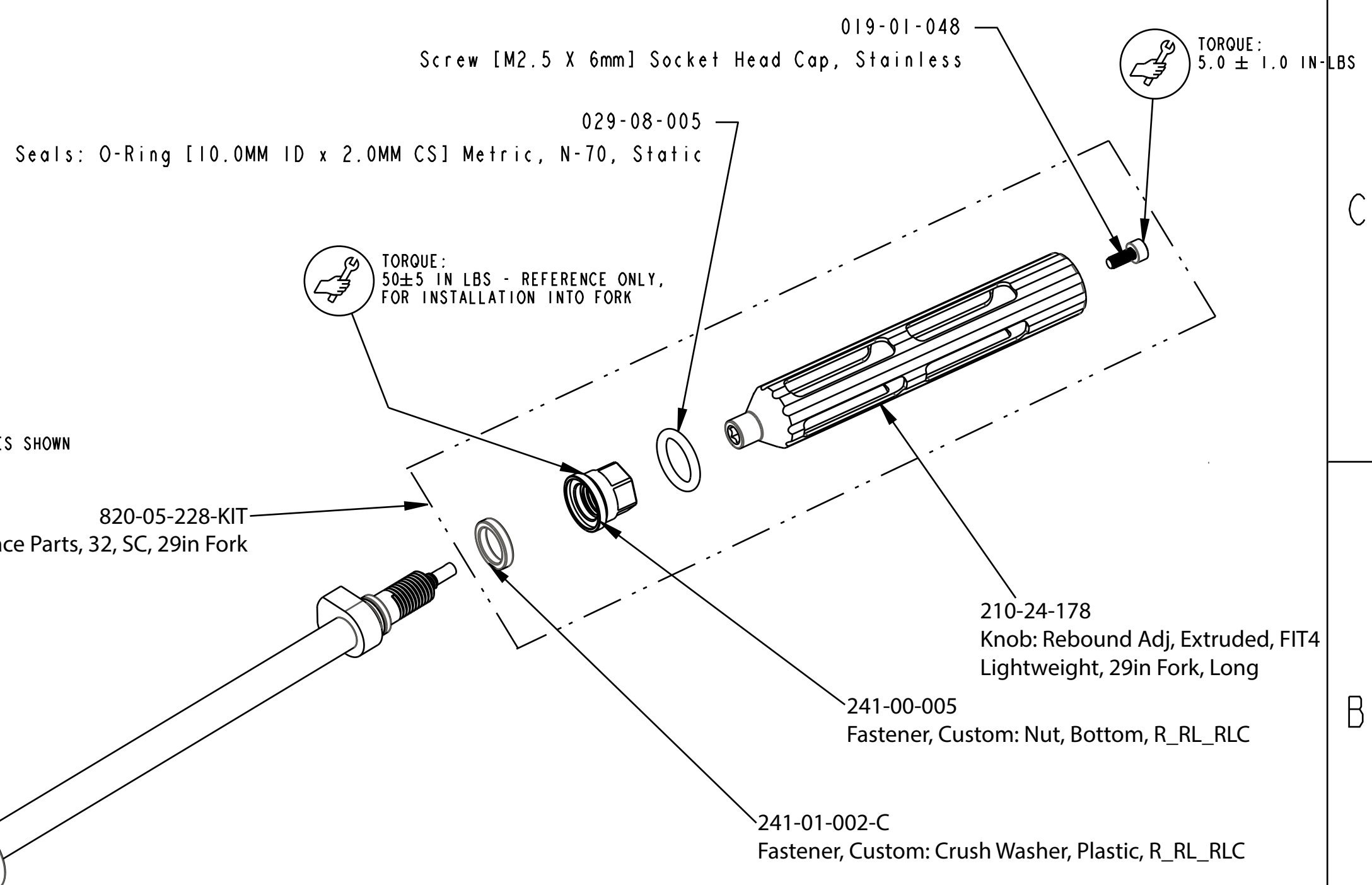
B

A

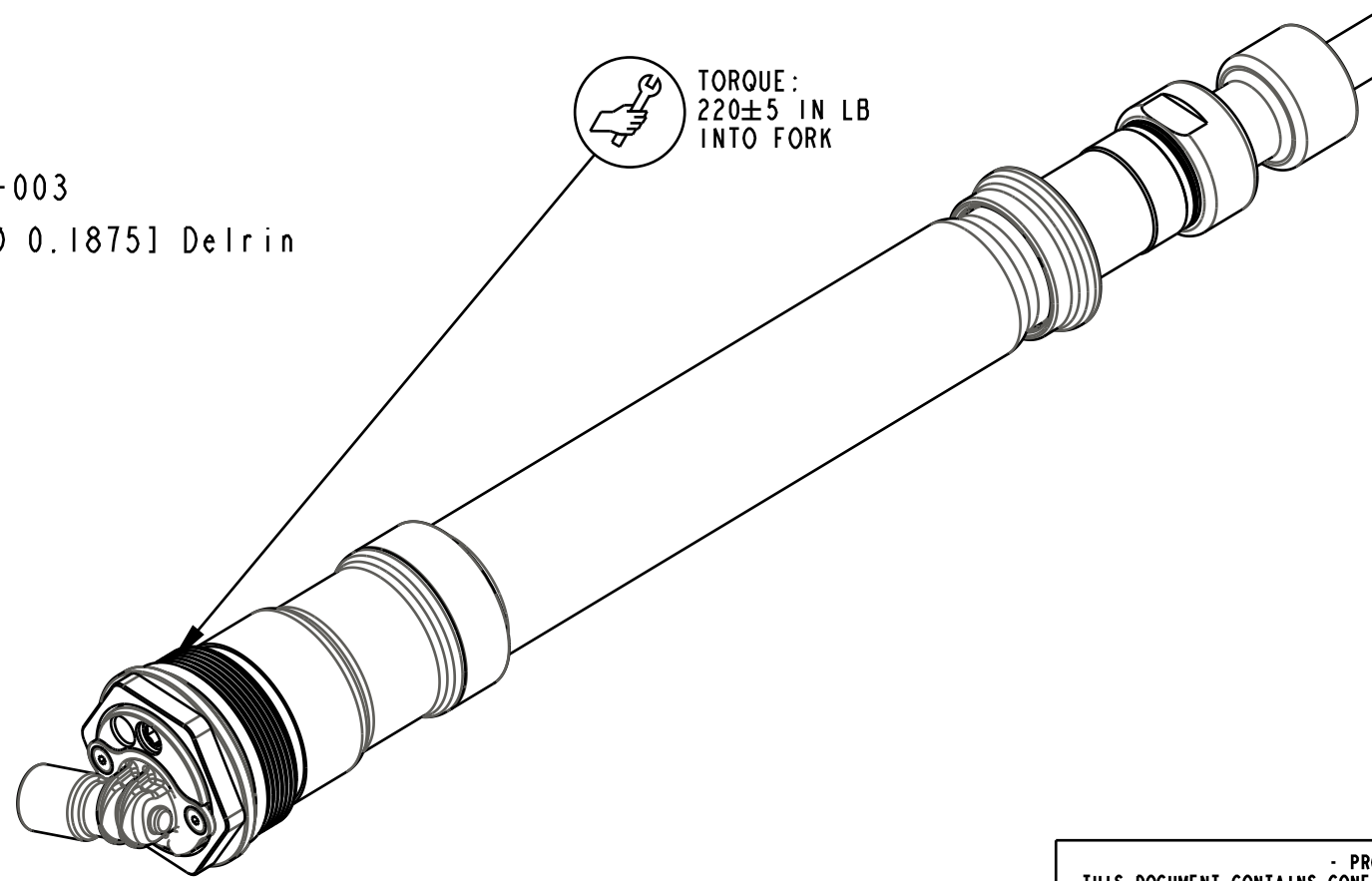
A



IMPORTANT:  
AFTER TOPCAP IS TORQUED,  
ALIGN ADJUSTER AND CAP AT ANGLES SHOWN



010-01-003  
Ball [Ø 0.1875] Delrin



PROPRIETARY  
THIS DOCUMENT CONTAINS CONFIDENTIAL, PROPRIETARY INFORMATION  
THAT IS FOX PROPERTY. DO NOT DISCLOSE TO OR DUPLICATE  
FOR OTHERS EXCEPT AS AUTHORIZED BY FOX.

		<b>FOX Factory, Inc.</b>	Ph 831-768-1100 Fax 831-768-9312
130 Hangar Way, Watsonville, CA 95076 USA			
TITLE 2020 LIVE Valve Cartridge Complete 32mm SC (OE: Giant Anthem Adv Pro 29 0, Giant Pique Adv Pro 0, Pivot Mach 4 SL)			
SIZE C	DWG. NO.		
PLOT SCALE NONE		SHEET 1 OF 1	

4

3

2

1

ProE ASSEM