

4

3

2

1

D

D

C

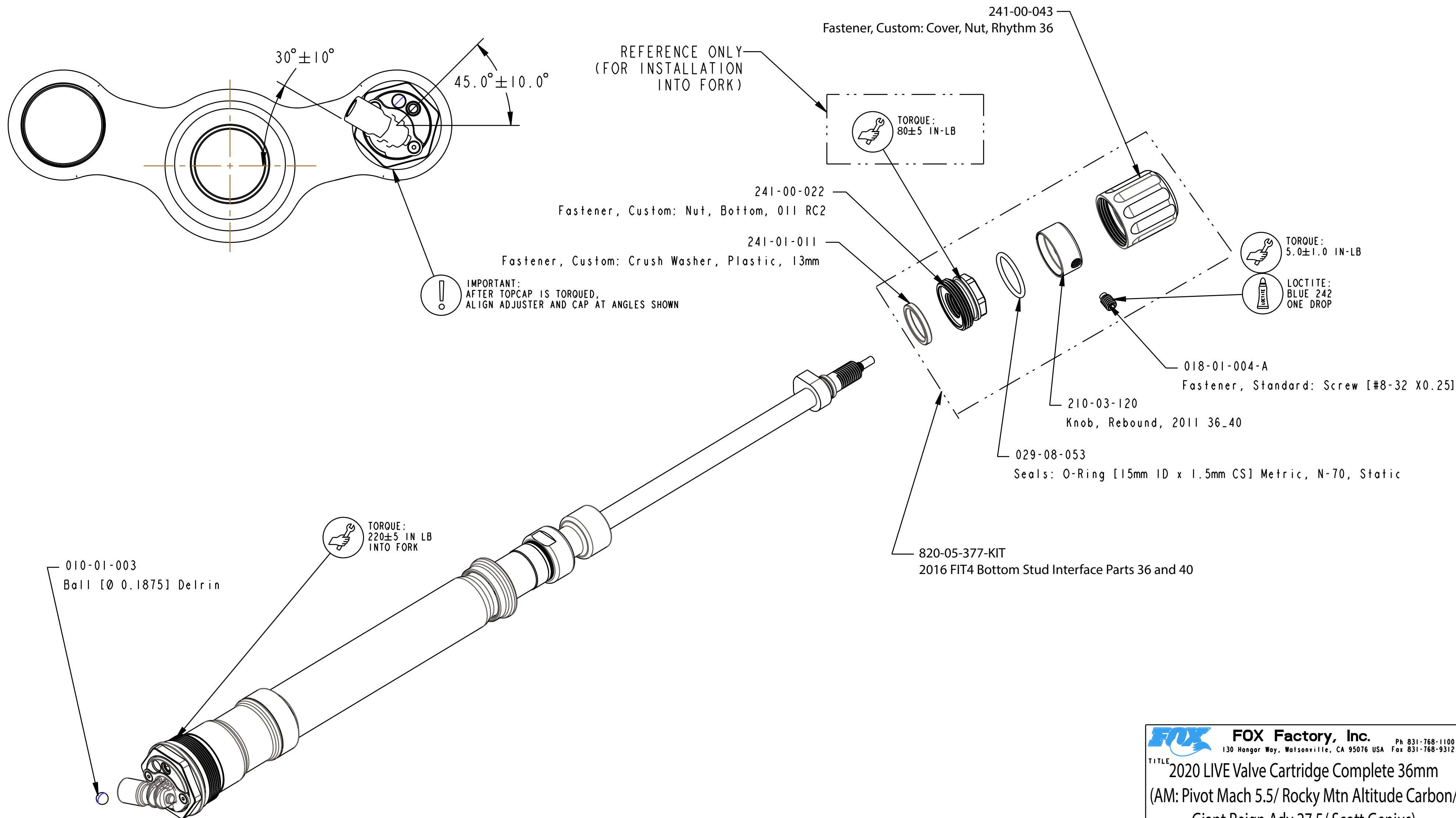
C

B

B

A

A



- PROPRIETARY -
THIS DOCUMENT CONTAINS CONFIDENTIAL, PROPRIETARY INFORMATION
THAT IS FOX PROPERTY. DO NOT DISCLOSE TO OR DUPLICATE
FOR OTHERS EXCEPT AS AUTHORIZED BY FOX.

FOX **FOX Factory, Inc.** Ph 831-768-1100
 130 Hangar Way, Watsonville, CA 95076 USA Fax 831-768-9312

TITLE
2020 LIVE Valve Cartridge Complete 36mm
 (AM: Pivot Mach 5.5/ Rocky Mtn Altitude Carbon/
 Giant Reign Adv 27.5/ Scott Genius)

PLOT SCALE NONE | SHEET 1 OF 1

4

3

2

1

ProE ASSEM