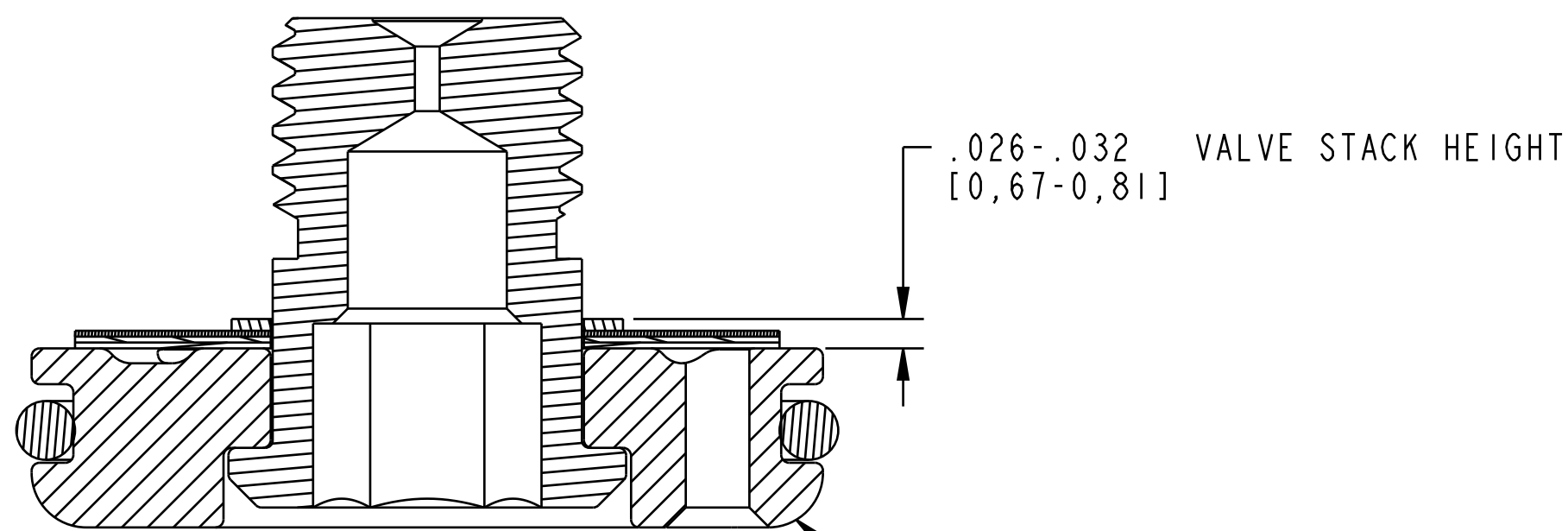


4

3

2

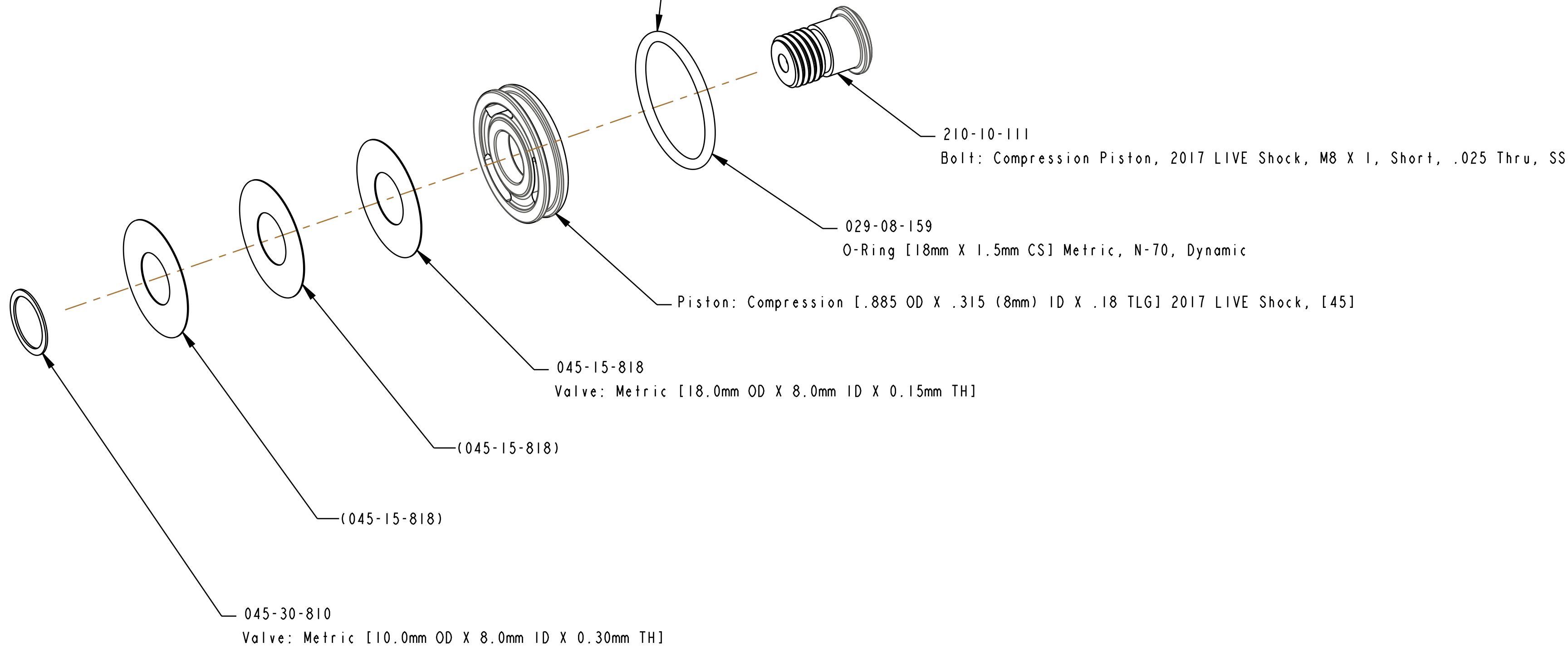
1



SECTION A-A
SCALE 6:1

IMPORTANT:
NOTE
ORIENTATION

OIL:
MX-5



FOX **FOX Factory, Inc.** Ph 831-768-1100
130 Hangar Way, Watsonville, CA 95076 USA Fax 831-768-9312

TITLE
Damping Adj Assy:
2019 Live Shock, Rezi Compression
CM

SIZE DWG. NO. **815-02-056-KIT**
PLOT SCALE 2:1 SHEET 1 OF 1

PROPRIETARY
THIS DOCUMENT CONTAINS CONFIDENTIAL, PROPRIETARY INFORMATION
THAT IS FOX PROPERTY. DO NOT DISCLOSE TO OR DUPLICATE
FOR OTHERS EXCEPT AS AUTHORIZED BY FOX.

4

3

2

1