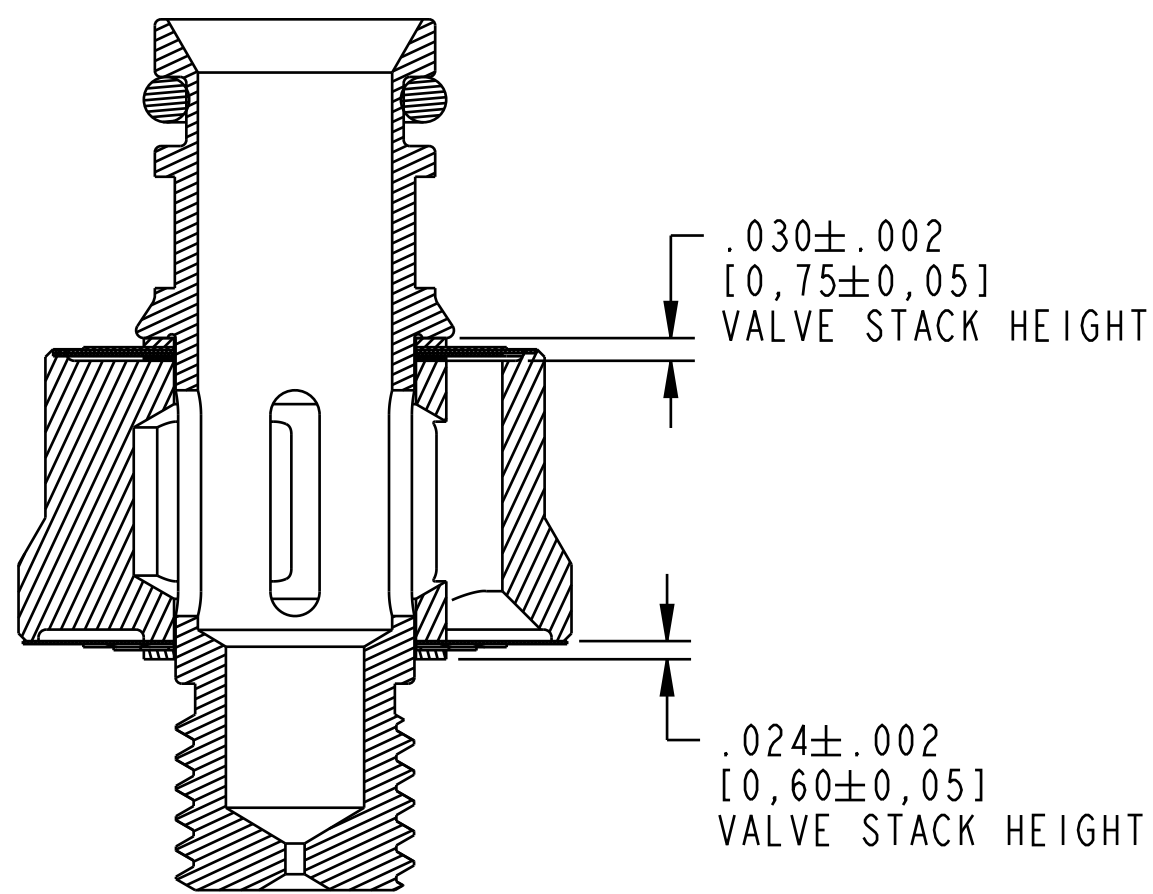


4

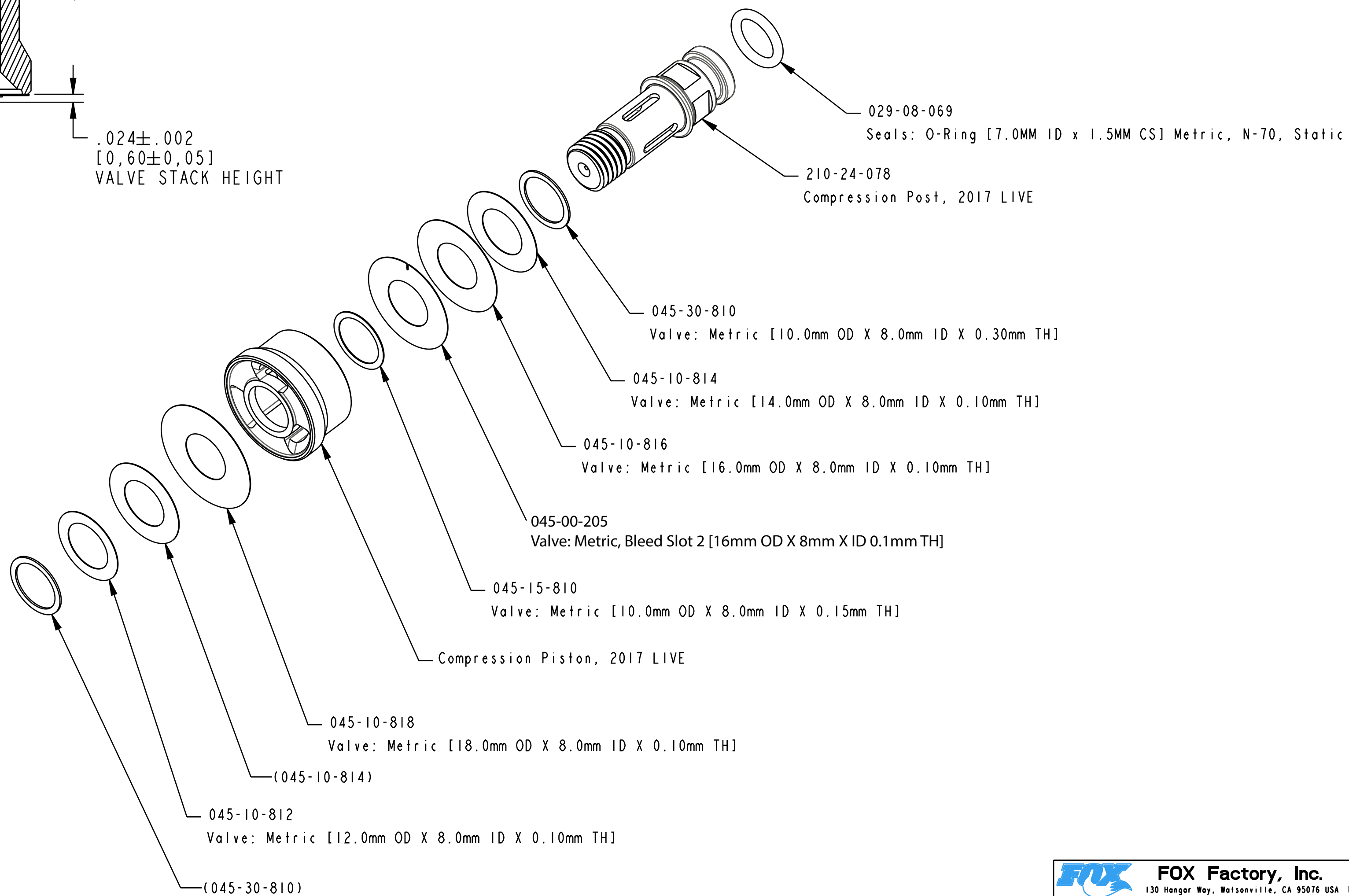
3

2

1



SECTION A-A  
SCALE 4:1



**FOX** FOX Factory, Inc. Ph 831-768-1100  
130 Hangar Way, Watsonville, CA 95076 USA Fax 831-768-9312

TITLE  
2018 LIVE Fork Compression Valving,  
CL, BL, 2 Bleed

SIZE DWG. NO. 820-03-549-KIT  
PLOT SCALE 2:1 SHEET 1 OF 1

PROPRIETARY  
THIS DOCUMENT CONTAINS CONFIDENTIAL, PROPRIETARY INFORMATION  
THAT IS FOX PROPERTY. DO NOT DISCLOSE TO OR DUPLICATE  
FOR OTHERS EXCEPT AS AUTHORIZED BY FOX.

4

3

2

1