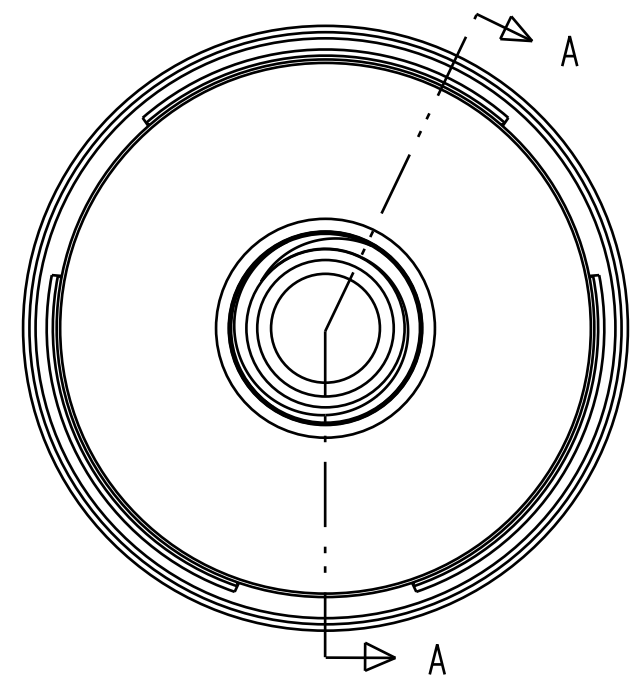


SECTION A-A
SCALE 8:1



CHECK:
PISTON ORIENTATION
SEE VIEWS BELOW

CHECK:
PISTON ORIENTATION

210-10-098
Piston: Check, Float MY13 [.740 OD X .252 ID X .110 TH]

044-04-070
Valve: [.700 OD X .252 ID X .0045 TH]

COMPRESSION VALVE ASSEMBLY:
805-05-110-KIT: Valve Stack Assy, 2020 SuperStrut, Compression

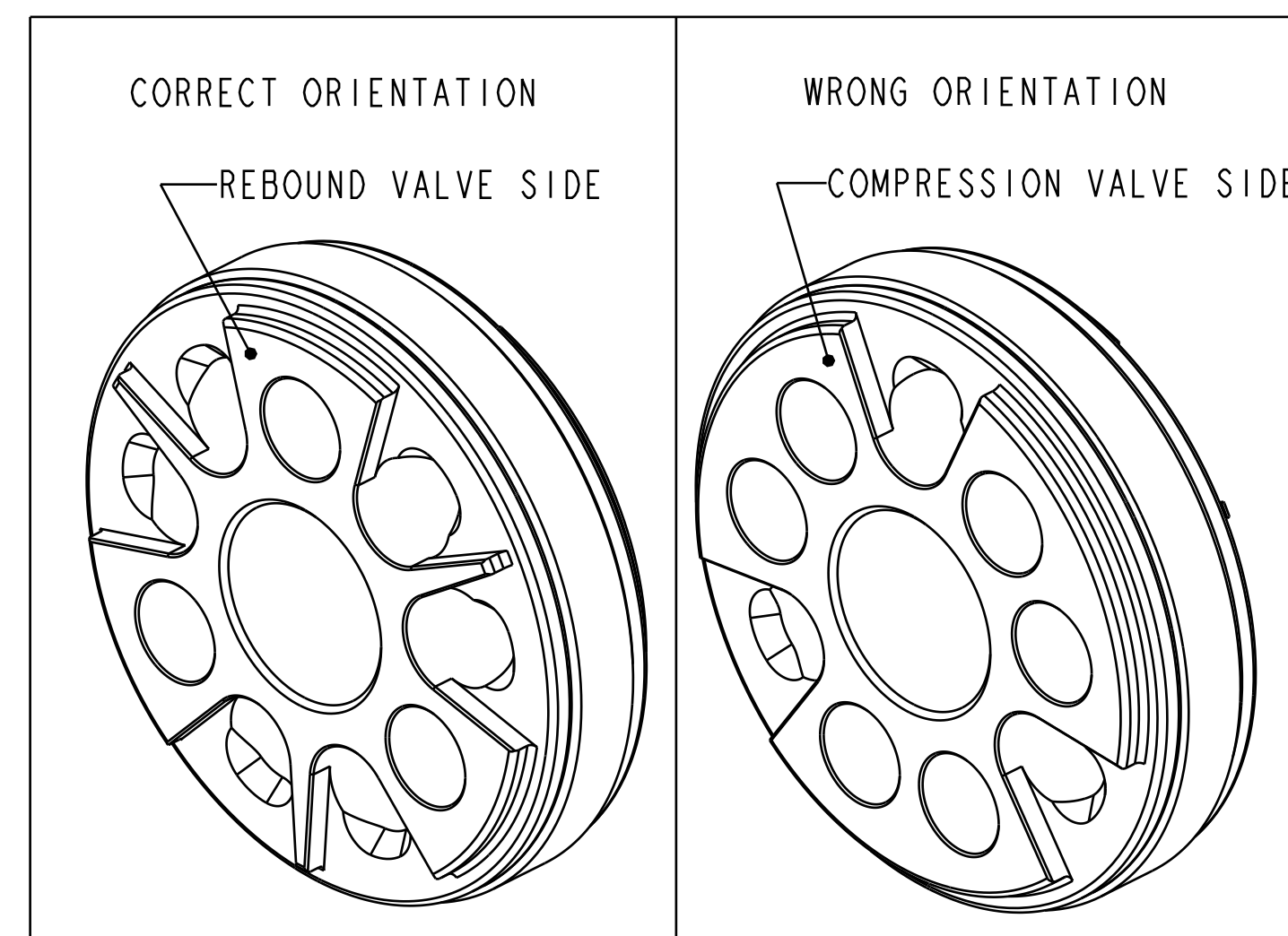
805-02-307-KIT
Piston Assy, Main, 2020 SuperStrut

REBOUND VALVE ASSEMBLY:
805-05-310-KIT: Valve Stack Assy, 2020 SuperStrut, Rebound

LOCKOUT VALVE ASSEMBLY:
805-05-210-KIT: Valve Stack Assy, 2020 SuperStrut, Lockout

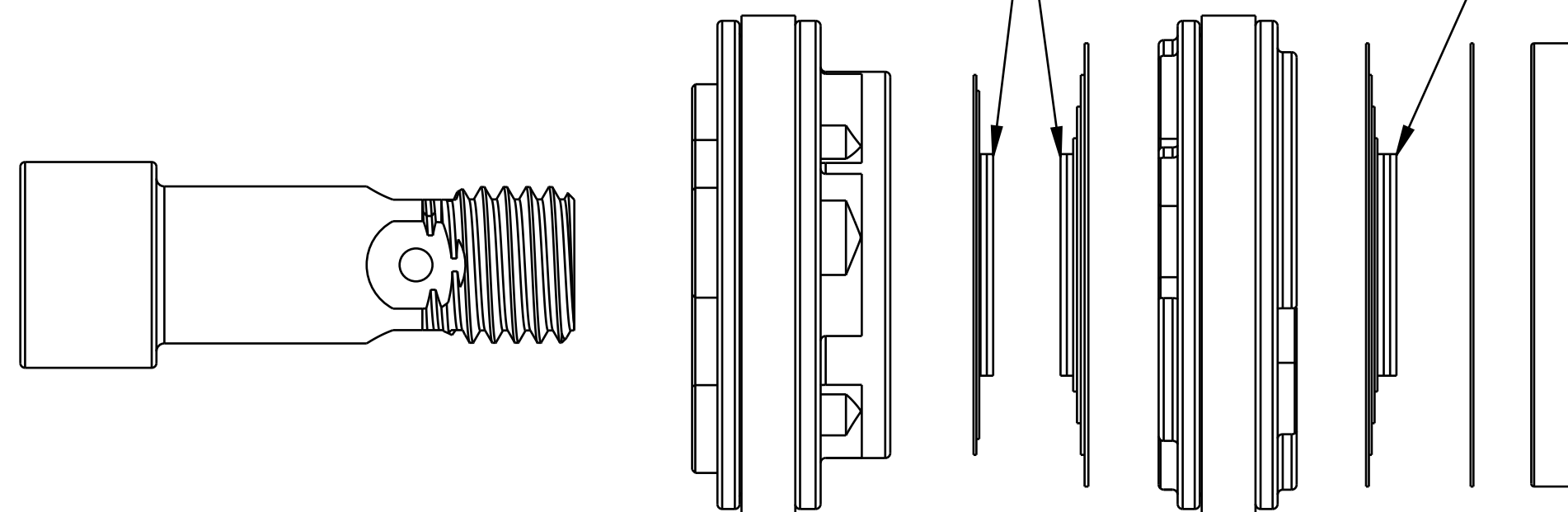
805-02-308-KIT
Piston Assy, Lockout, 2020 SuperStrut

210-10-125
Piston Bolt: 2020 SuperStrut



SCALE 5:1

SHOCK MUST HAVE 13-15 REBOUND CLICKS (14-16 POSITIONS)
SPACERS MAY BE BE ADDED OR REMOVED TO ADJUST NUMBER
OF REBOUND CLICKS.



PROPRIETARY -
THIS DOCUMENT CONTAINS CONFIDENTIAL, PROPRIETARY INFORMATION
THAT IS FOR PROPERTY. DO NOT DISCLOSE TO OR DUPLICATE
FOR OTHERS EXCEPT AS AUTHORIZED BY FOX.

		FOX Factory, Inc. 130 Hangar Way, Watsonville, CA 95076 USA Ph 831-768-1100 Fax 831-768-9312
TITLE Valving Assy 2020 SuperStrut		
SIZE DWG. NO. D 807-06-316-KIT	PLOT SCALE 4:1 SHEET 1 OF 1	