

SECTION A-A  
SCALE 4:1

Spring: [0.190 TLG X 0.120 OD X 25.6 lbs/in] 17-7 SS, left hand wound

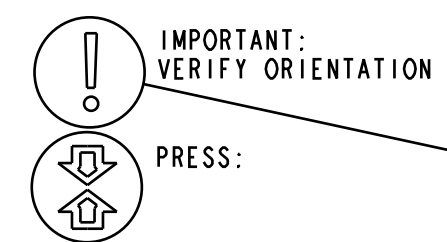
039-00-264

GREASE:  
THIN LAYER  
BLUE HI-TEMP



010-01-000

Ball [Ø 0.1250] Steel

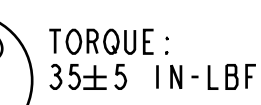


213-07-164  
Eyelet, Collar, 2020 SuperStrut

026-03-065  
Eyelet Cover Plate, Lever version, 2020 SuperStrut

010-00-057  
Air Valve Parts: Cap, Air Valve [L305-32], Black, 6061

802-00-007-KIT  
Tank Valve, Slim [M6 x .75]



029-08-082  
Seals: O-Ring [5.28mm ID X 1.0mm CS] Metric, N-70, Static

APPLY THIN LAYER SLICK HONEY TO O-RING  
PRIOR TO INSTALL ON AIR VALVE.  
APPLY THIN LAYER OF FLOAT FLUID ON INSTALLED  
AIR VALVE O-RING PRIOR TO AIR VALVE INSTALLATION.

019-01-018  
Socket Set Dog Point [M3 x .5mm x 6mm]

INSTALL M3 SET SCREW UNTIL IT TOUCHES BOTTOM OF CAM  
GROOVE, THEN LOOSEN 1/4 TURN (90°). VERIFY LEVER ROTATES  
SMOOTHLY WITH NO BINDING, AND ADJUST IF NECESSARY.

Eyelet, 2020 SuperStrut

210-30-126  
Cam, Compression Adjust, Lever, 2020 SuperStrut

ALIGN LEVER SO SET SCREW CLAMPS ON CAM SHAFT FLAT

GREASE:  
THICK LAYER  
OF HI-TEMP BLUE



210-24-460  
Rebound Knob, 2020 SuperStrut

TORQUE:  
8±2 IN-LBF



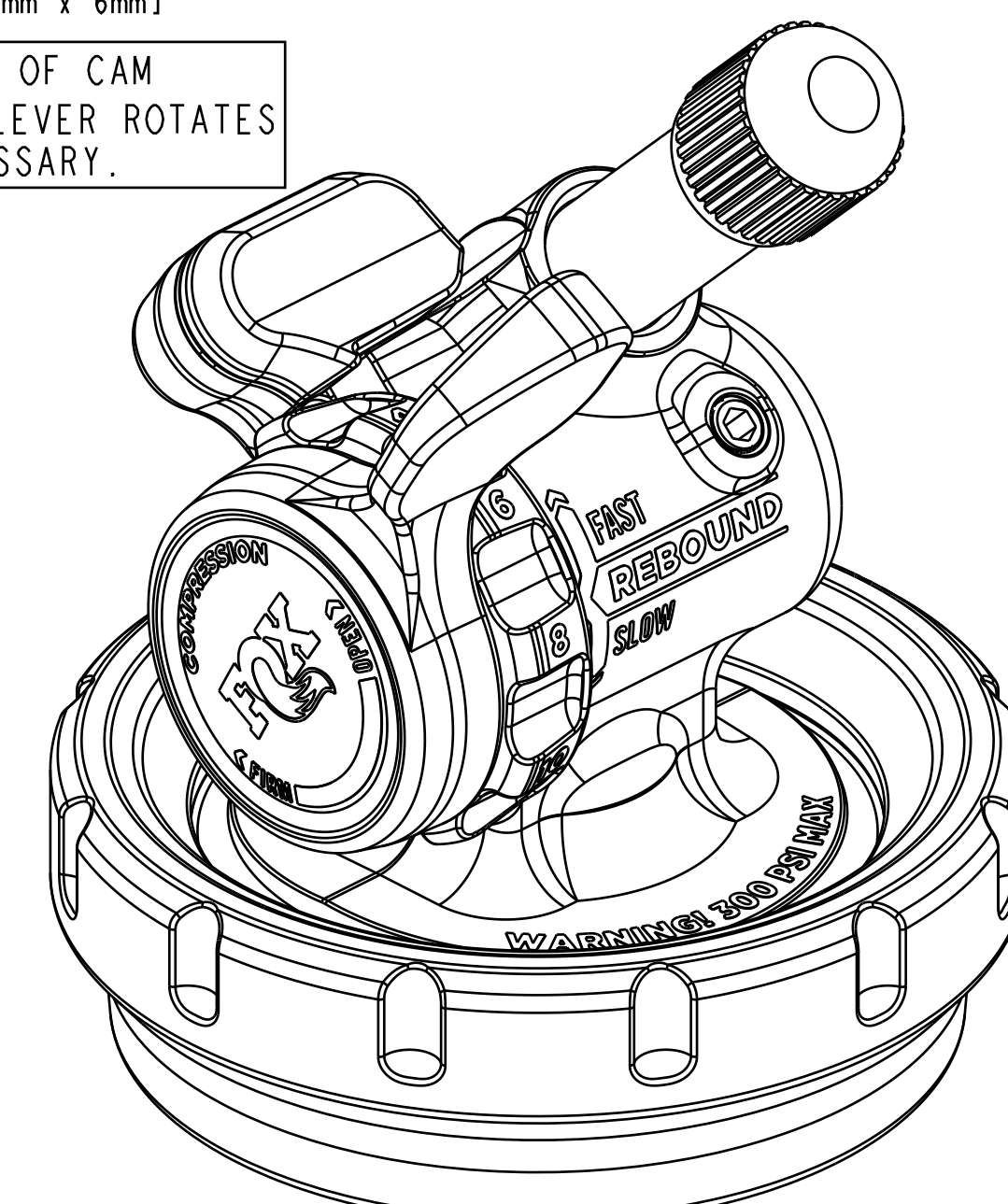
210-24-485  
Lever, Lockout, Compression Adjust, 2020 SuperStrut

019-01-134  
Set Screw [M4 x .7mm x 4mm] Flat Point, Torx, Black,

029-08-178  
Seals: O-Ring [30.0mm X 1.5mm CS] Metric, N-70, Static

029-08-079  
Seals: O-Ring [7.5MM ID x 1.5MM CS] Metric, N-70, Static

GREASE:  
THIN LAYER  
OF SLICK HONEY



PROPRIETARY - THIS DOCUMENT CONTAINS CONFIDENTIAL, PROPRIETARY INFORMATION THAT IS FOR PROPERTY. DO NOT DISCLOSE TO OR DUPLICATE FOR OTHERS EXCEPT AS AUTHORIZED BY FOX.

<b>FOX Factory, Inc.</b> 130 Hangar Way, Watsonville, CA 95076 USA Ph 831-768-1100 Fax 831-768-9312	
TITLE	Eyelet Assy, 2020 SuperStrut, Lever
SIZE DWG. NO.	808-17-399-KIT
PLOT SCALE	3:1
SHEET 1 OF 1	