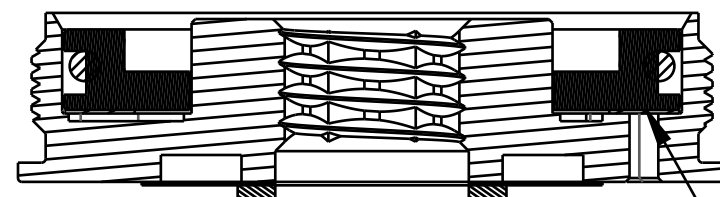
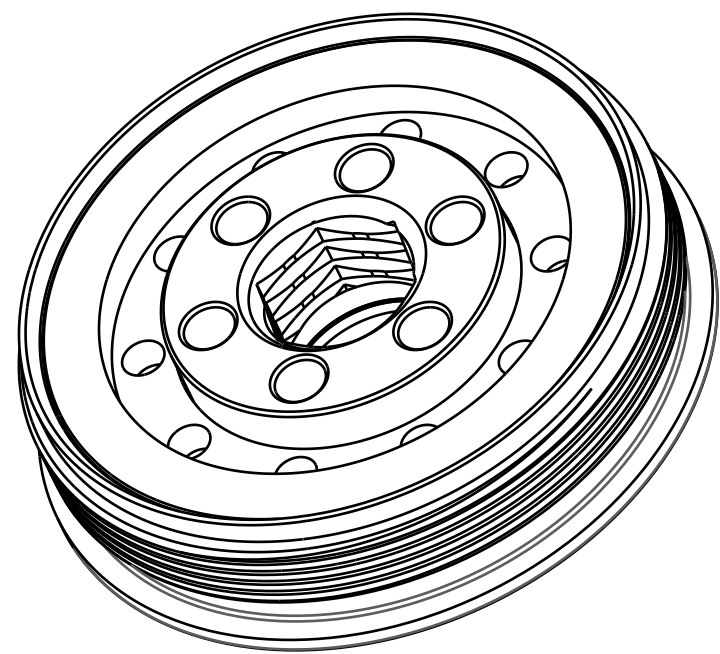


4

3

2

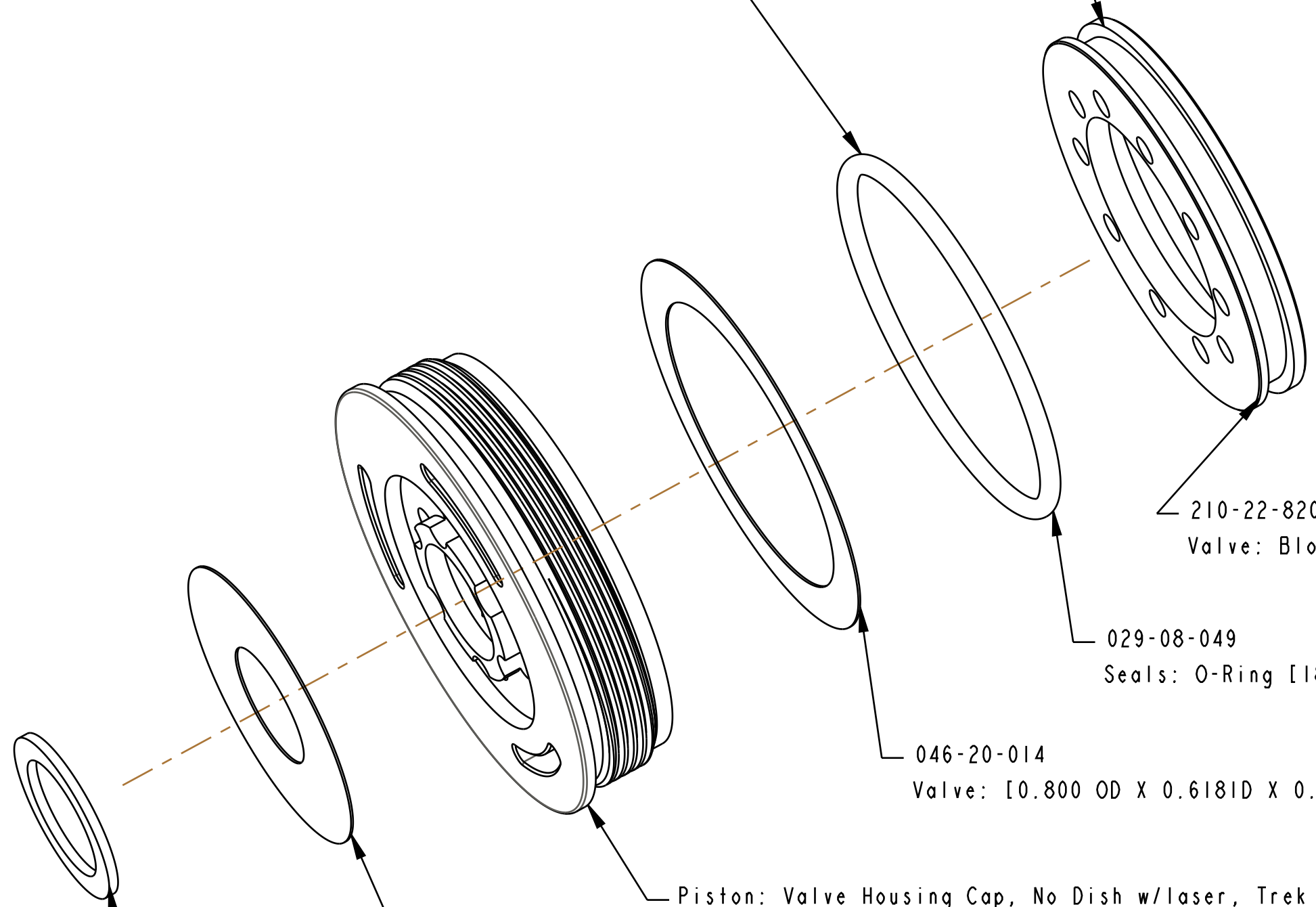
1



SECTION A-A

! IMPORTANT:  
ORIENTATION

GREASE:  
THIN LAYER  
SLICK HONEY



210-22-820  
Valve: Blowoff Piston, Trek, Float RG, VI, [.802 OD, .105 TLG, 10 holes], Clear

029-08-049  
Seals: O-Ring [18.0MM ID x 1.0MM CS] Metric, N-70, Static

046-20-014  
Valve: [.800 OD X 0.618ID X 0.0045 TH]

Piston: Valve Housing Cap, No Dish w/laser, Trek Reaktiv, [.922 OD, .220 TLG]

044-04-060  
Valve: [.600 OD X .252 ID X .0045 TH]

044-20-035  
Valve: [.350 OD X .252 ID X .020 TH]

**FOX** FOX Factory, Inc. Ph 831-768-1100  
130 Hangar Way, Watsonville, CA 95076 USA Fax 831-768-9312

TITLE  
Valving Sub Assy: Trek Reaktiv  
Valve Housing Cap, No fastener

SIZE DWG. NO. **C** 815-72-007-KIT

PLOT SCALE 4:1:1 SHEET 1 OF 1

- PROPRIETARY -  
THIS DOCUMENT CONTAINS CONFIDENTIAL, PROPRIETARY INFORMATION  
THAT IS FOX PROPERTY. DO NOT DISCLOSE TO OR DUPLICATE  
FOR OTHERS EXCEPT AS AUTHORIZED BY FOX.

4

3

2

ProE ASSEM