

4

3

2

1

D

D

C

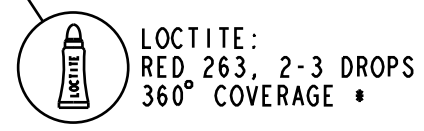
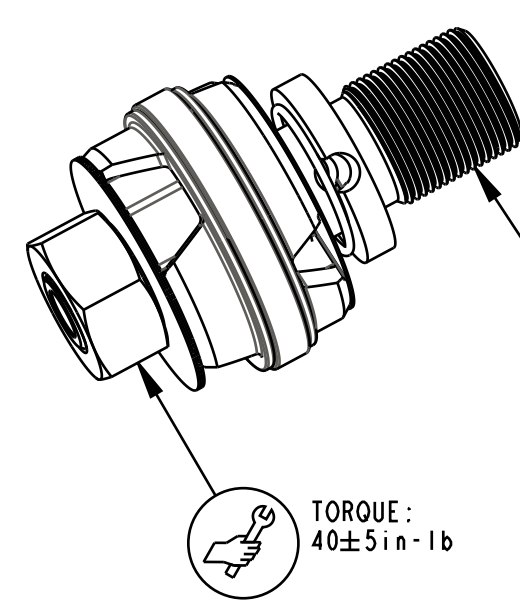
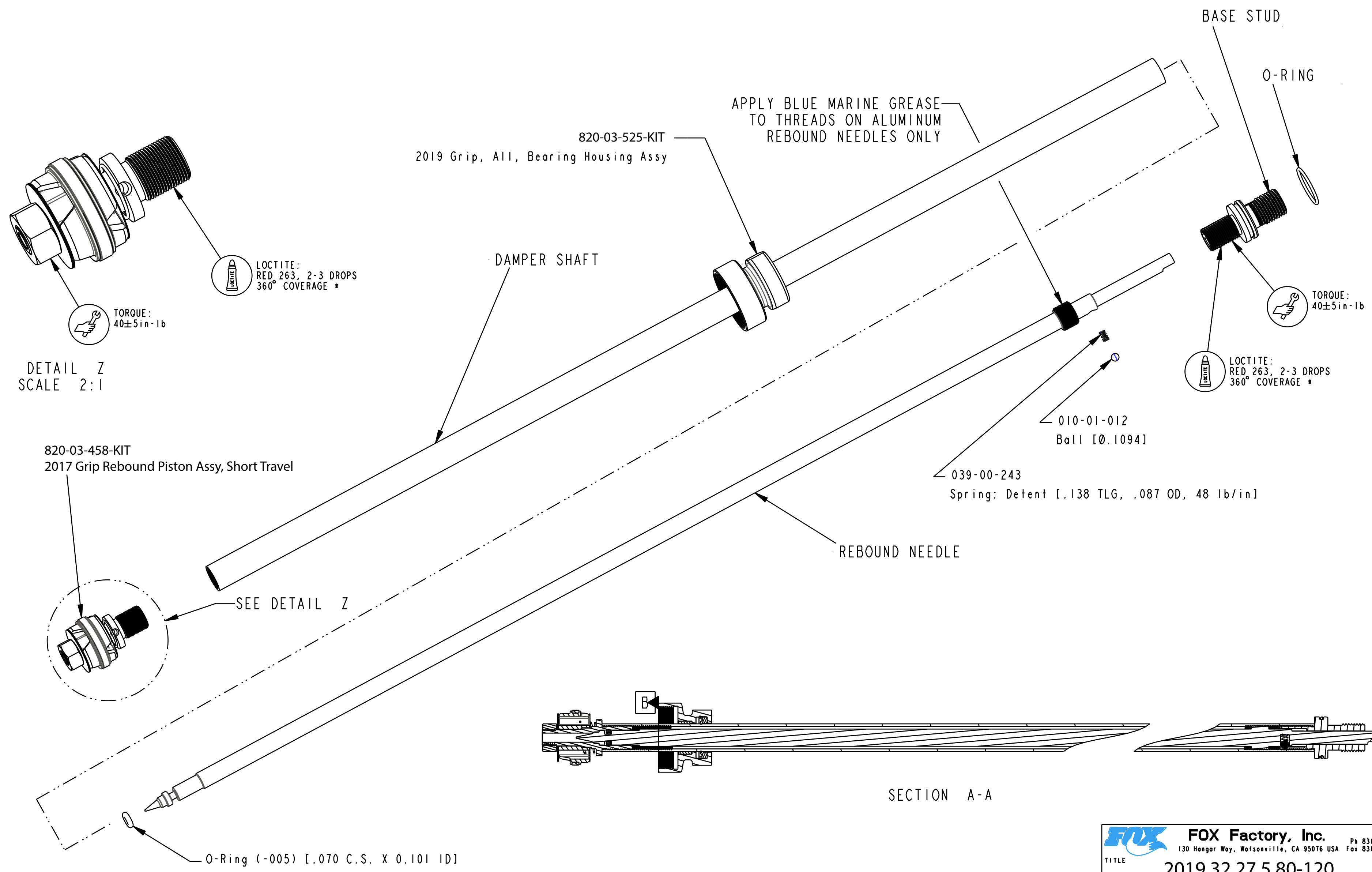
C

B

B

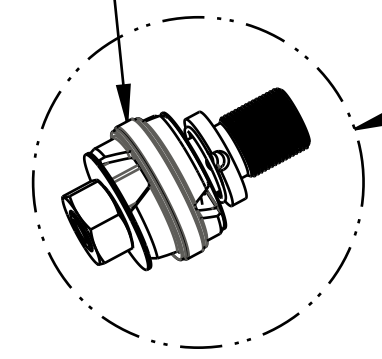
A

A



DETAIL Z  
SCALE 2:1

820-03-458-KIT  
2017 Grip Rebound Piston Assy, Short Travel



SEE DETAIL Z

820-03-525-KIT  
2019 Grip, All, Bearing Housing Assy

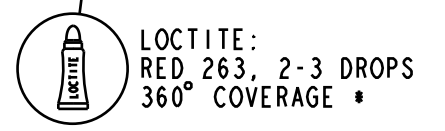
APPLY BLUE MARINE GREASE  
TO THREADS ON ALUMINUM  
REBOUND NEEDLES ONLY

DAMPER SHAFT

BASE STUD

O-RING

TORQUE:  
40±5in-lb

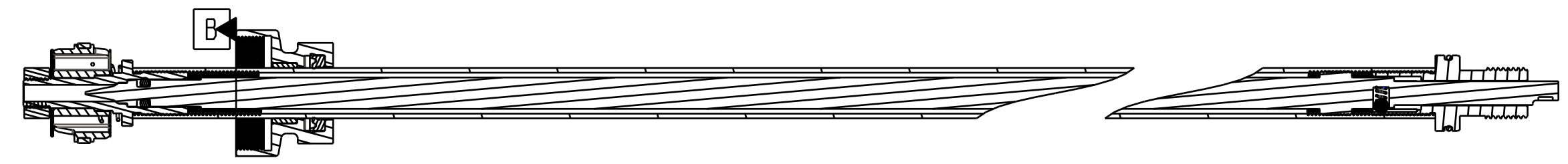


010-01-012  
Ball [Ø.1094]

039-00-243  
Spring: Detent [.138 TLG, .087 OD, 48 lb/in]

REBOUND NEEDLE

O-Ring (-005) [.070 C.S. X 0.101 ID]



SECTION A-A

PROPRIETARY  
THIS DOCUMENT CONTAINS CONFIDENTIAL, PROPRIETARY INFORMATION  
THAT IS FOX PROPERTY. DO NOT DISCLOSE TO OR DUPLICATE  
FOR OTHERS EXCEPT AS AUTHORIZED BY FOX.

		<b>FOX Factory, Inc.</b>	Ph 831-768-1100
		130 Hangar Way, Watsonville, CA 95076 USA	Fax 831-768-9312
TITLE			
2019 32 27.5 80-120			
Grip Damper Shaft Assy			
SIZE		DWG. NO.	
C		820-03-581-KIT	
PLOT SCALE		SHEET	
1:1		1 OF 1	

4

3

2

1

ProE ASSEM