

4

3

2

1

D

D

C

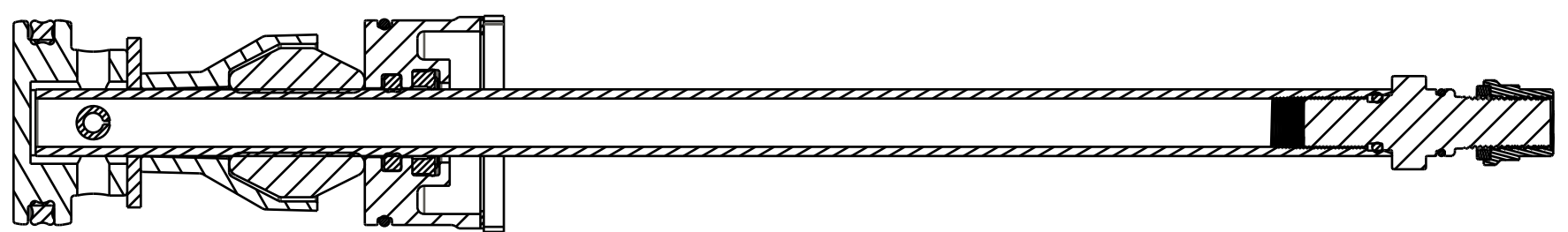
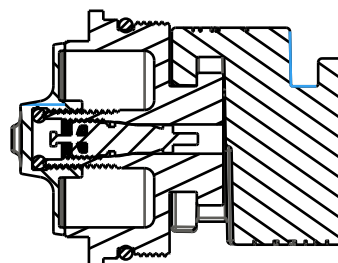
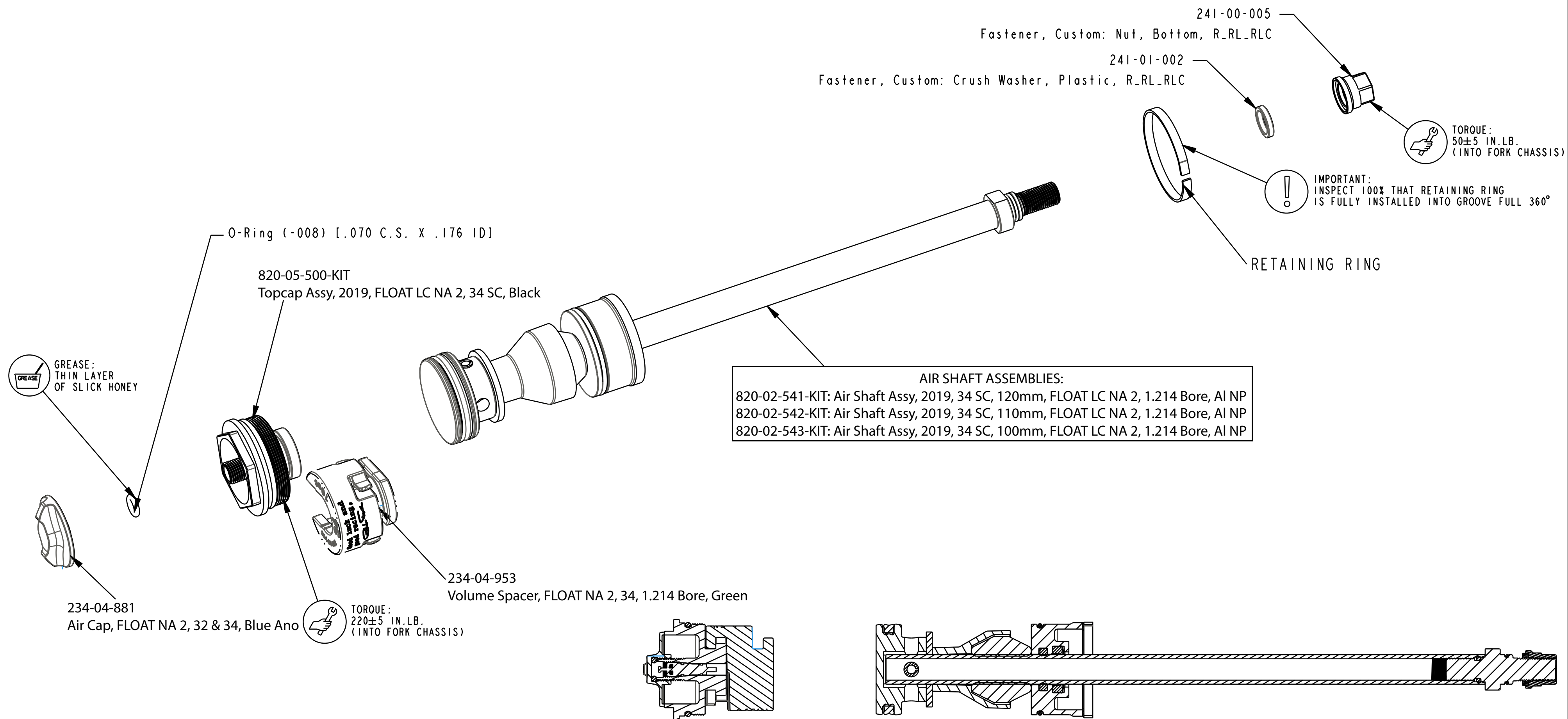
C

B

B

A

A



SECTION A-A

- PROPRIETARY -
THIS DOCUMENT CONTAINS CONFIDENTIAL, PROPRIETARY INFORMATION
THAT IS FOX PROPERTY. DO NOT DISCLOSE TO OR DUPLICATE
FOR OTHERS EXCEPT AS AUTHORIZED BY FOX.

| | | | |
|--|----------|--------------------------|-----------------|
| | | FOX Factory, Inc. | Ph 831-768-1100 |
| 130 Hangar Way, Watsonville, CA 95076 USA | | Fax 831-768-9312 | |
| TITLE 2021 34 SC FLOAT NA2 AIR SPRING ASSEMBLIES | | | |
| SIZE | DWG. NO. | | |
| C | | | |
| PLOT SCALE .00:1 | | | SHEET 1 OF 1 |

4

3

2

1