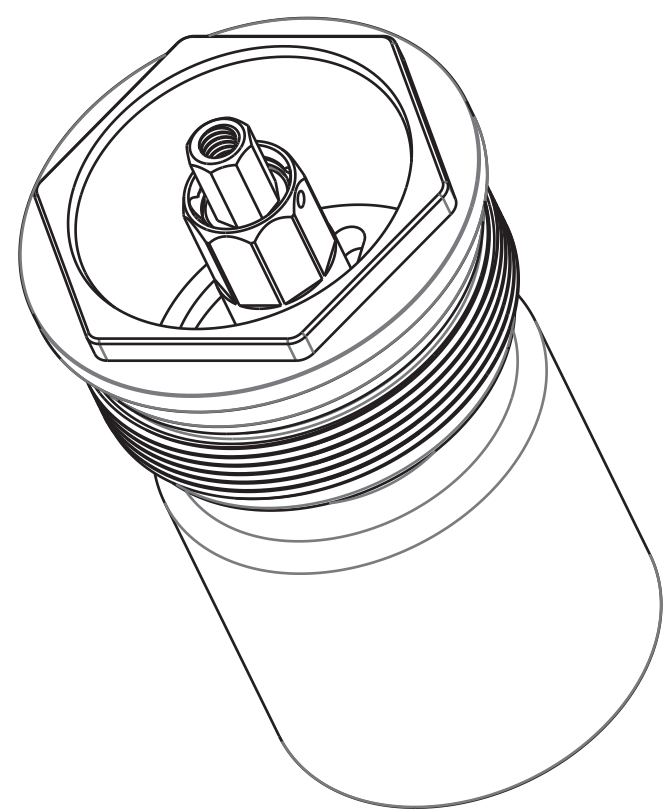


4

3

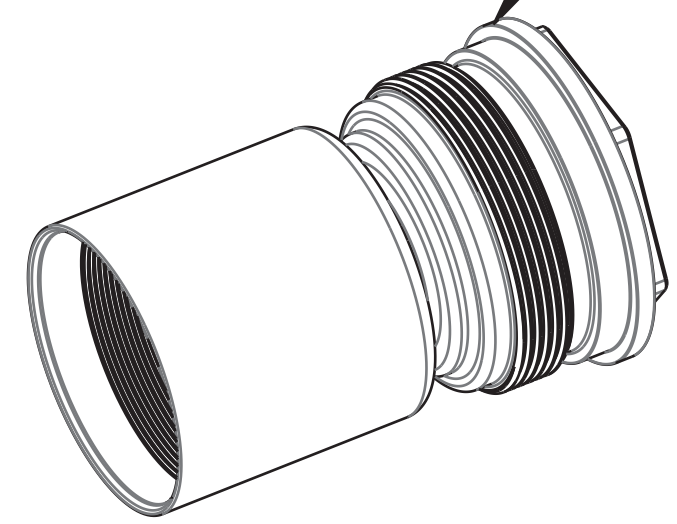
2

1

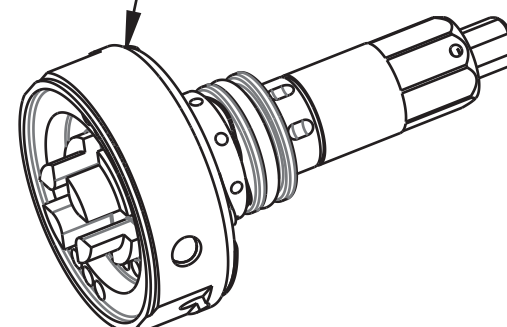


820-03-258-KIT  
2017 FIT4 Lightweight Top Cap Parts

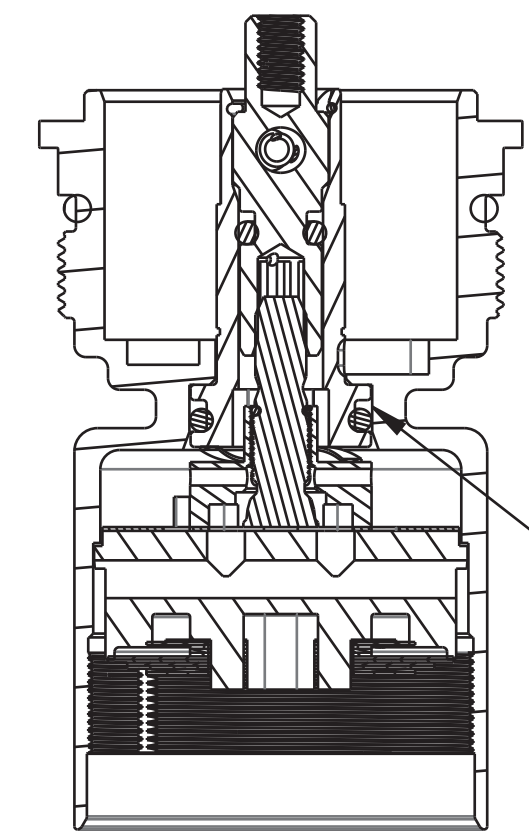
TOPCAP BODY



TOPCAP O-RING



820-03-613-KIT  
2020 FIT4 Compression Valving Assy, 8mm Shaft



GREASE:  
APPLY SLICK HONEY TO INSIDE  
OF TOPCAP BORE BEFORE ASSEMBLY

<b>FOX</b>		<b>FOX Factory, Inc.</b>		Ph 831-768-1100
		130 Hangar Way, Watsonville, CA 95076 USA		Fax 831-768-9312
TITLE		2020 34 SC FIT4 Topcap Assy, 3 Pos Adj		
SIZE	DWG. NO.	820-05-619-KIT		
C				
PLOT SCALE   .50 : 1		SHEET   OF   1		

- PROPRIETARY -  
THIS DOCUMENT CONTAINS CONFIDENTIAL, PROPRIETARY INFORMATION  
THAT IS FOX PROPERTY. DO NOT DISCLOSE TO OR DUPLICATE  
FOR OTHERS EXCEPT AS AUTHORIZED BY FOX.

4

3

2

1