

4

3

2

1

D

D

C

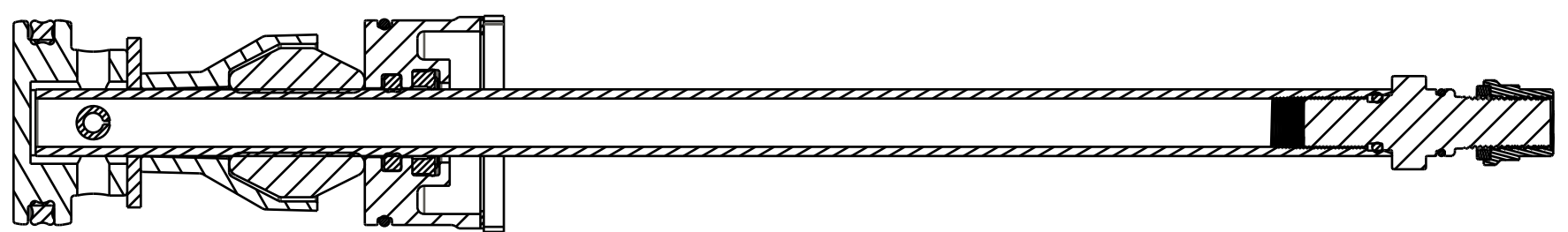
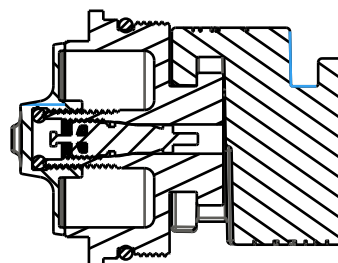
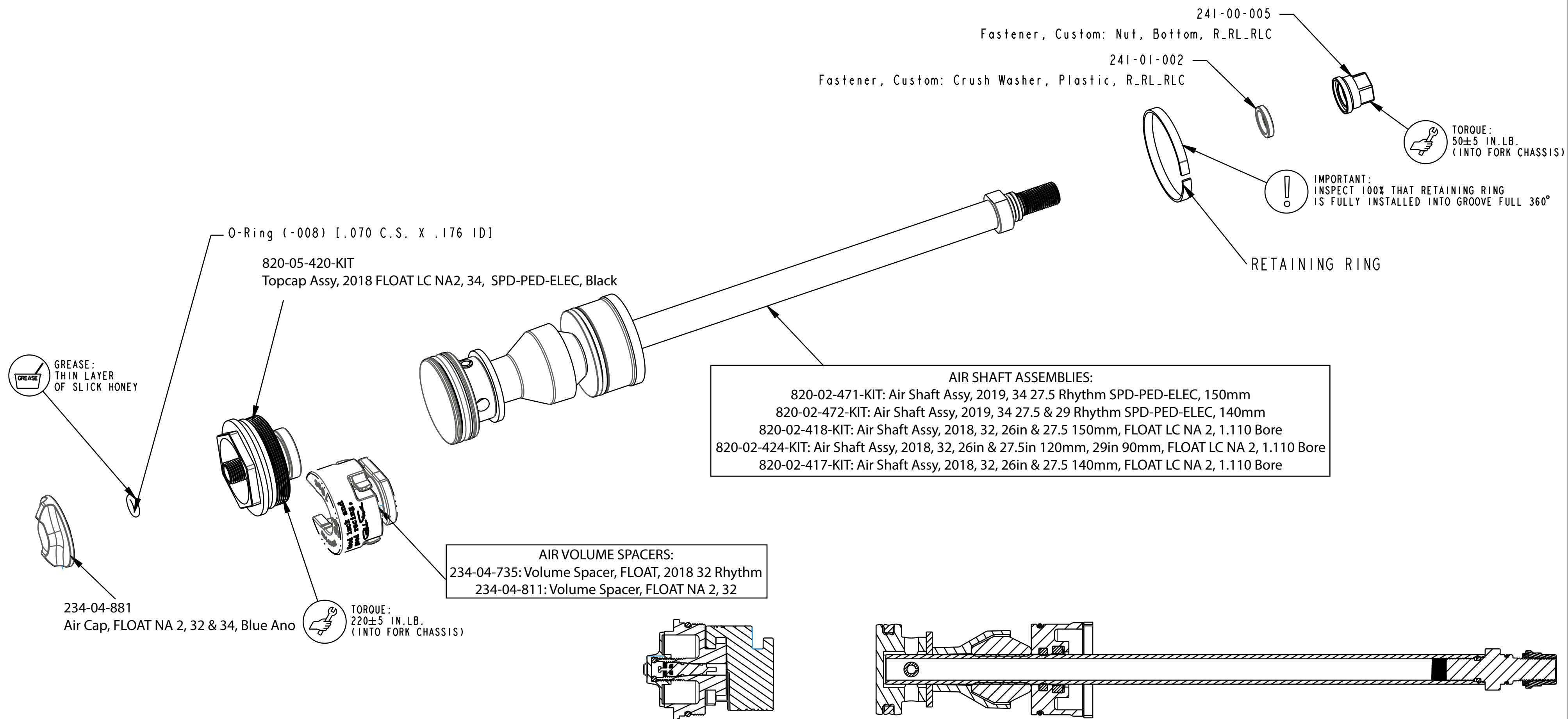
C

B

B

A

A



SECTION A-A

- PROPRIETARY -
THIS DOCUMENT CONTAINS CONFIDENTIAL, PROPRIETARY INFORMATION
THAT IS FOX PROPERTY. DO NOT DISCLOSE TO OR DUPLICATE
FOR OTHERS EXCEPT AS AUTHORIZED BY FOX.

FOX **FOX Factory, Inc.** Ph 831-768-1100
130 Hangar Way, Watsonville, CA 95076 USA Fax 831-768-9312

TITLE
**2021 34 E-BIKE+ FLOAT NA2
AIR SPRING ASSEMBLIES**

SIZE DWG. NO.
C

PLOT SCALE | .00:1 | SHEET | OF |

4

3

2

1