

Damping Adj Part: Coupler, LSC Grip F-S

Retaining Ring: Wire
[.280 OD X .024 CS] SS

Seals: O-Ring [3.0MM ID x 1.5MM CS]
Metric, N-70, Static

Seals: O-Ring [5.0MM ID x 1.5MM CS]
Metric, N-90, Static

Sleeve: Isolator, Spring, ID, Grip 40

IMPORTANT:
ENSURE RETAINING RING
IS FULLY SEATED IN GROVE

IMPORTANT:
ENSURE SPRING SNAPS ON MATIN PART
(FULLY SEATED) BOTH ENDS

IMPORTANT:
INSTALL O-RING DRY
(NO GREASE)

IMPORTANT:
HARD STOP: SHAFT/TOPCAP
NO GAP

Seals: O-Ring [(-011) .070 C.S. X .301 ID]
Standard, N-70, Static

Seals: O-Ring [16.0mm ID X 2.0mm CS]
Metric, N-70, Dynamic

Fastener Custom: Pin, M4x0.5, Grip2 BV

820-03-660-KIT
2021 Grip2 BV TTP Compression Valving

Seals: O-Ring [18.0MM ID x 1.0MM CS]
Metric, N-70, Static

Shaft, Damper, 8mm, Comp, G2BV TPP

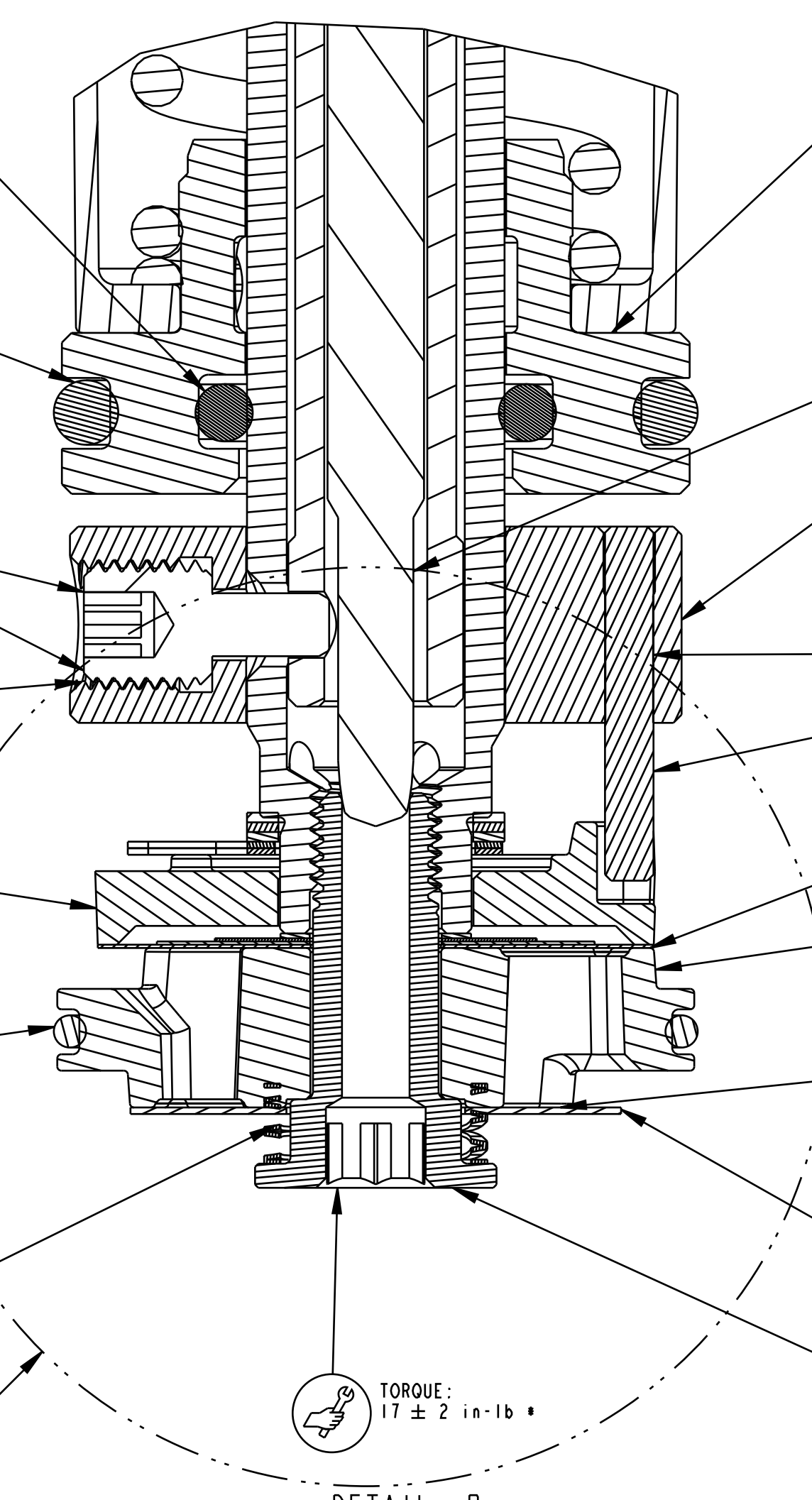
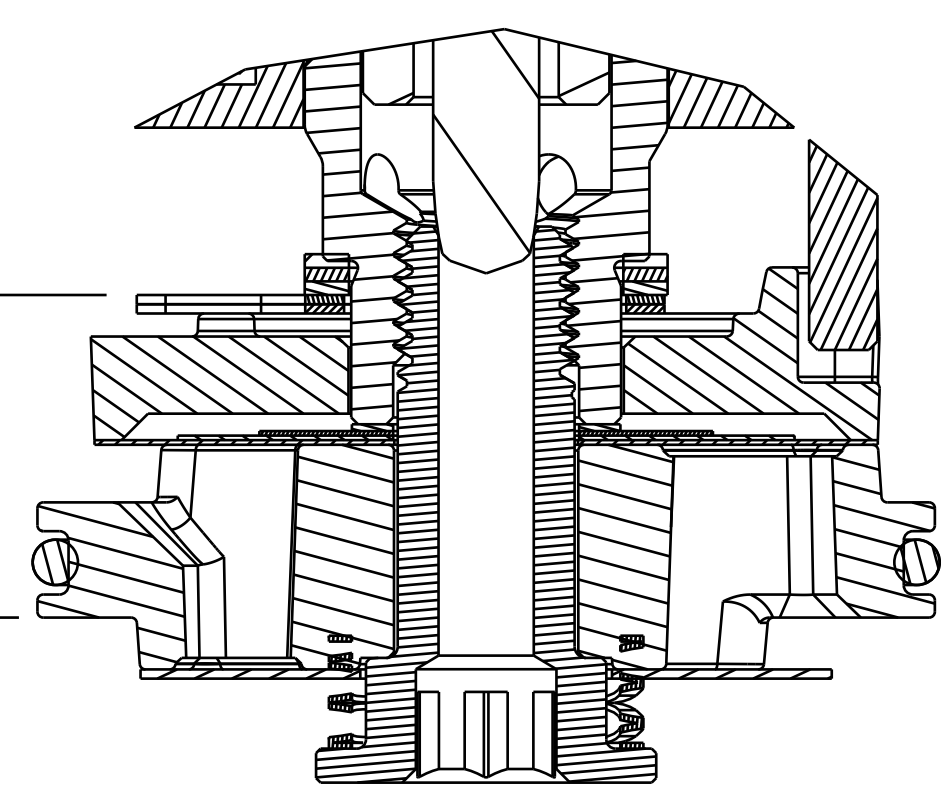
Spring, Comp Check, Grip F-S

DETAIL C
SCALE 6:1

TORQUE:
2.5 ± .5 in-lb *

LOCTITE:
BLUE 243
NO CURE TIME REQUIRED

TORQUE:
17 ± 2 in-lb *



Piston Floating: IFP, Grip2 BV TPP

Damping Adj Part: Needle,
LSC, Grip F-S, G2BV TPP

Damping Adj Part: Valve loader,
HSC, G2BV TPP

LOCTITE:
GREEN 609
MUST CURE FOR 6 HOURS

Fastener Custom: Pin, G2BV

IMPORTANT:
DO NOT PINCH VALVES
CHECK FUNCTION AFTER ASSY

Piston Damping Comp 20.0 Bore,
G2BV TPP

IMPORTANT:
DO NOT PINCH VALVES
CHECK FUNCTION AFTER ASSY

Valve: Metric [15.24mm OD
X 5.55mm ID X 0.20mm THK]

Fastener, Custom (Metric): Bolts
Piston Comp Grip F-S G2BV TPP

SEE DETAIL C

DETAIL B
SCALE 6:1

PROPRIETARY
THIS DOCUMENT CONTAINS CONFIDENTIAL, PROPRIETARY INFORMATION
THAT IS FOX PROPERTY. DO NOT DISCLOSE TO OR DUPLICATE
FOR OTHERS EXCEPT AS AUTHORIZED BY FOX.

SIZE D	CAGE NO. NONE	DWG. NO. 820-05-663-KIT	REV.
PLOT SCALE 3:1	INCHES	SHEET	2 OF 3