

4

3

2

1

D

D

C

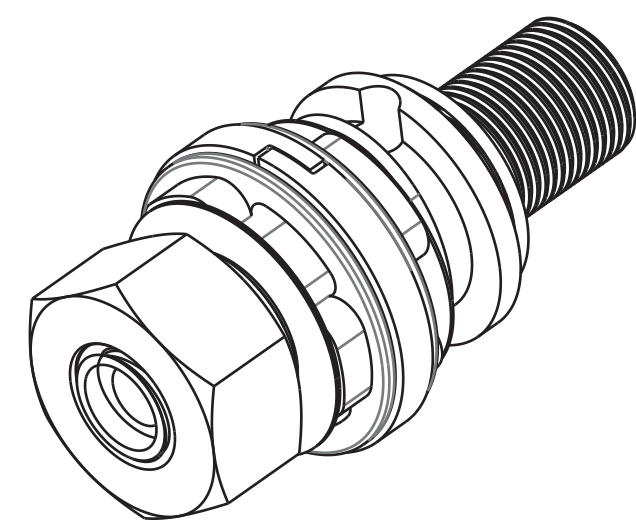
C

B

B

A

A



Seals: O-Ring [5.0MM ID x 1.0MM CS] Metric, N-70, Static

Shaft Stud, Rebound, 2020 FIT4, 8mm

IMPORTANT:
ORIENT SPRING SO CLOSED
END FACES SHAFT STUD

GREASE:
THIN LAYER
OF SLICK HONEY

Glide Ring, 04 Slim R-RL-RLC-X

Piston: Rebound, Kidney, 35/65 Flow

Spring: Rebound Check, 09 36_40

Valve: Metric [13.0mm OD X 8.1mm ID X 0.15mm TH]

IMPORTANT:
NOTE PISTON
ORIENTATION

Valve: [0.500 OD X 0.252 ID X 0.0045 TH]

Valve: [0.500 OD X 0.252 ID X 0.0045 TH]

Valve: Metric [8.0mm OD X 6.40mm ID X 0.152mm TH]

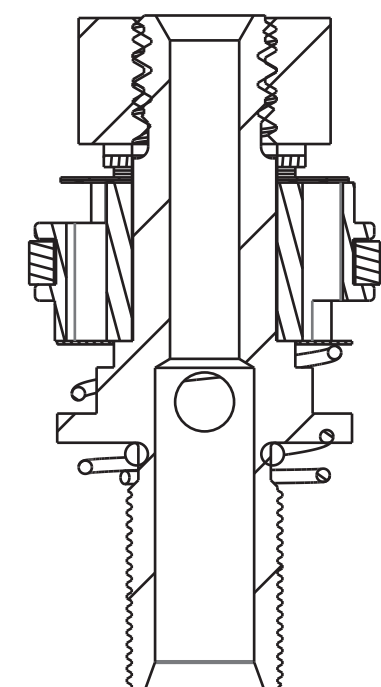
Valve: Metric [8.0mm OD X 6.40mm ID X 0.152mm TH]

Valve: [.350 OD X .252 ID X .020 TH]

Valve: [.350 OD X .252 ID X .020 TH]

Fastener, Standard: Nut [1/4-20 X 7/32 TLG 6061 Aluminum]

TORQUE:
HAND TIGHT (TO BE TORQUED IN
DAMPER SHAFT ASSEMBLY STEP)



- PROPRIETARY -
THIS DOCUMENT CONTAINS CONFIDENTIAL, PROPRIETARY INFORMATION
THAT IS FOX PROPERTY. DO NOT DISCLOSE TO OR DUPLICATE
FOR OTHERS EXCEPT AS AUTHORIZED BY FOX.

		FOX Factory, Inc.	Ph 831-768-1100
		130 Hangar Way, Watsonville, CA 95076 USA	Fax 831-768-9312
TITLE	2020 FIT4 Rebound Piston Assy, 8mm Shaft		
SIZE	DWG. NO.	820-03-610-KIT	
PLOT SCALE	3:1	SHEET 1 OF 1	

4

3

2

1

ProE ASSEM