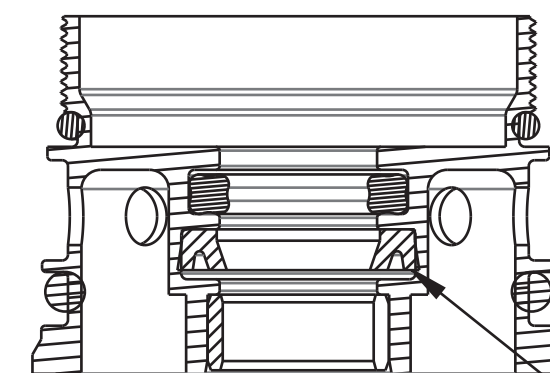
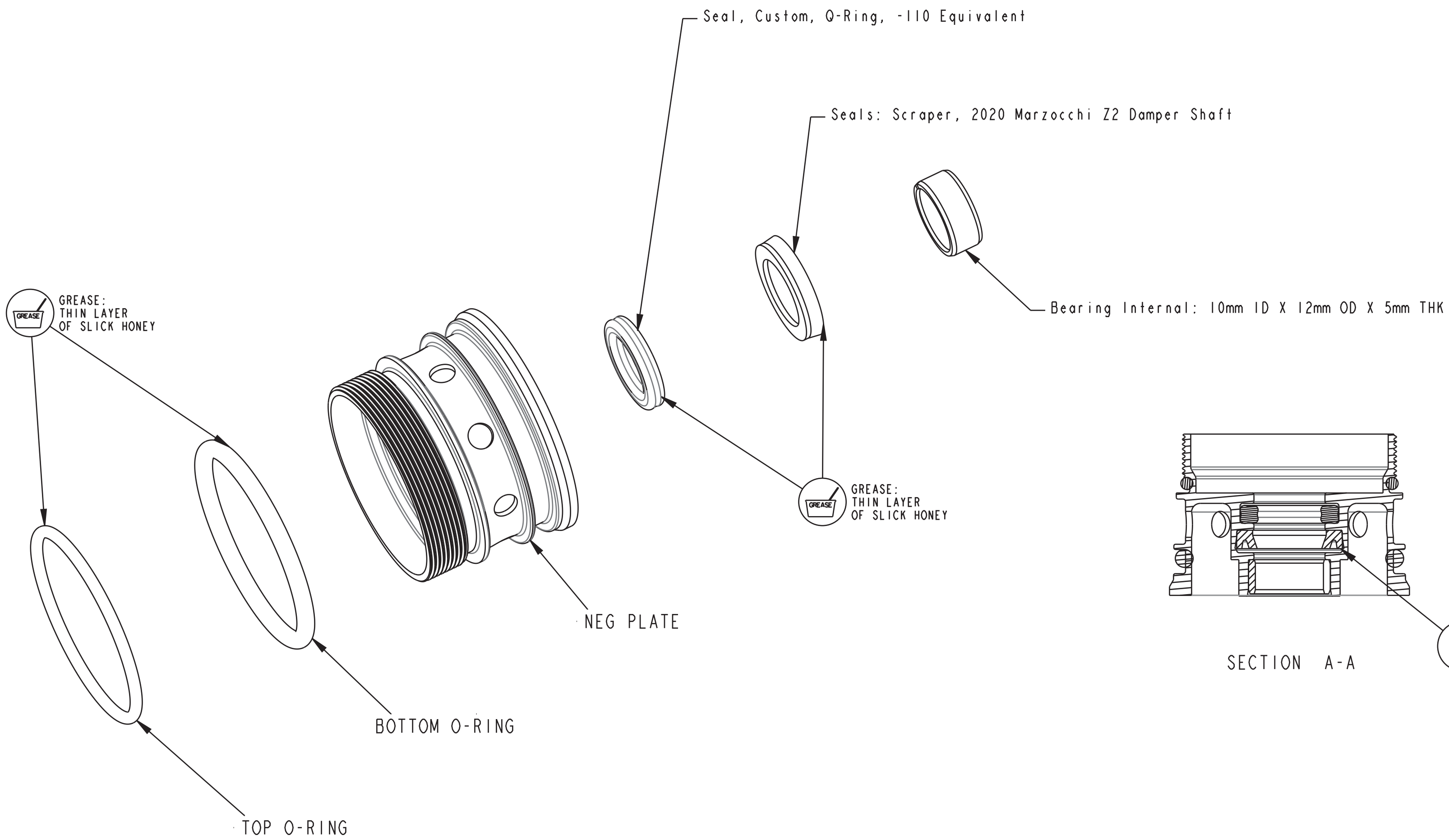


4

3

2

1



SECTION A-A

IMPORTANT:
NOTE ORIENTATION
OF SCRAPER SEAL

- PROPRIETARY -
THIS DOCUMENT CONTAINS CONFIDENTIAL, PROPRIETARY INFORMATION
THAT IS FOX PROPERTY. DO NOT DISCLOSE TO OR DUPLICATE
FOR OTHERS EXCEPT AS AUTHORIZED BY FOX.

		FOX Factory, Inc.	Ph 831-768-1100
		130 Hangar Way, Watsonville, CA 95076 USA	Fax 831-768-9312
TITLE			
Neg Plate Assy, 2021 38, Inner Air Sleeve, 1.214 Bore			
SIZE		DWG. NO.	
C		820-02-567-KIT	
PLOT SCALE		NONE	
		SHEET 1 OF 1	