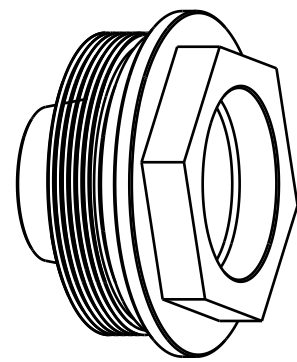


4

3

2

1

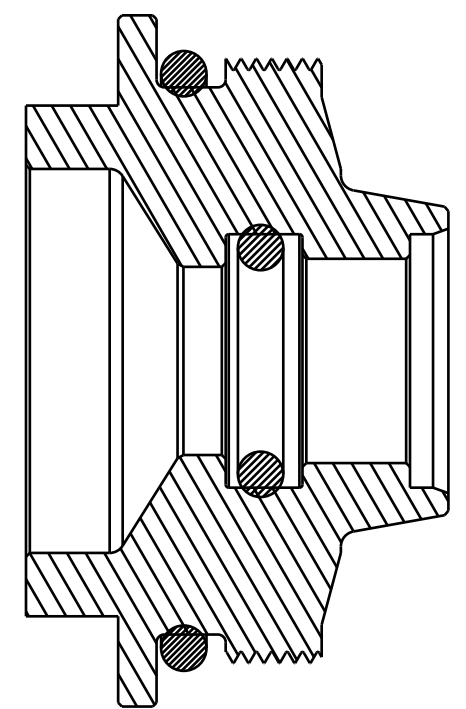


Seals: O-Ring [6.0mm ID x 1.5mm CS] Metric, N-70, Static

Seals: O-Ring [17.5MM ID x 1.5MM CS] Metric, N-70, Static

End Cap: Float DPX2, Compression side, P-S

GREASE:
THIN LAYER
SLICK HONEY



SECTION A-A
SCALE 4.000

FOX		FOX Factory, Inc.	Ph 831-768-1100
		130 Hangar Way, Watsonville, CA 95076 USA	Fax 831-768-9312
TITLE	Eyelet Cap Assembly: DPX2, Compression, P-S		
SIZE	DWG. NO.	804-00-153-KIT	
C	PLOT SCALE 2.00:1	SHEET 1 OF 1	

- PROPRIETARY -
THIS DOCUMENT CONTAINS CONFIDENTIAL, PROPRIETARY INFORMATION
THAT IS FOX PROPERTY. DO NOT DISCLOSE TO OR DUPLICATE
FOR OTHERS EXCEPT AS AUTHORIZED BY FOX.

4

3

2

1