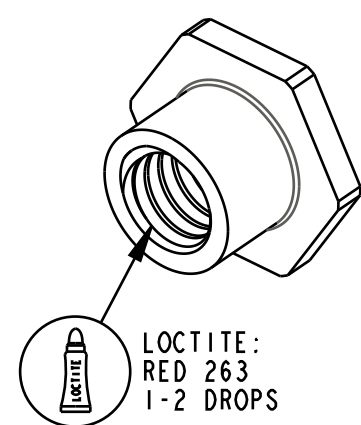


4

3

2

1

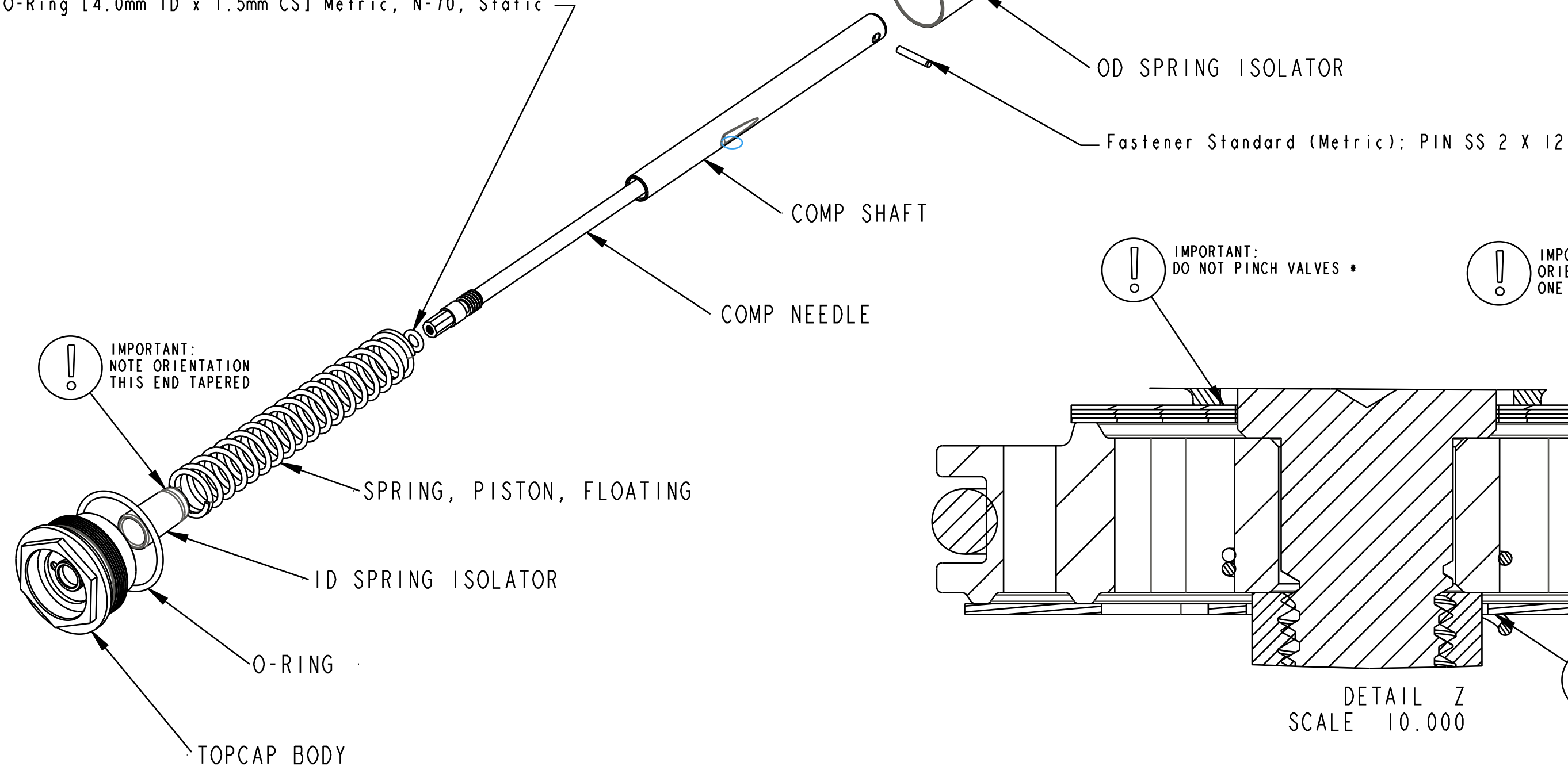


LOCTITE:  
RED 263  
1-2 DROPS

DETAIL Y  
SCALE 4:1

- Fastener, Standard (Metric), Nut, M6 x .75
- Fastener, Custom: Bolt Piston Comp Grip
- Spring: [0.200 TLG X .400 ID X 0.50 lbs/in] Stainless Steel
- Valve: Metric [8.00mm OD X 5.55mm ID X 0.25mm THK] Custom, Check
- Piston Damping Comp MIM 20.0 Bore
- Seals: O-Ring [16.0mm ID X 2.0mm CS] Metric, N-70, Dynamic
- O-Ring (-011) [.070 C.S. X .301 ID]
- Piston Floating: IFP, Grip
- Seals: O-Ring [8mm ID X 1.5mm CS] Metric, N-70, Static
- Damping Adj Part: Hat Preload Comp
- O-Ring [17mm ID X 1.5mm CS], N-90, Static
- 820-03-589-KIT  
2019 Grip E-Bike Compression Valving
- TORQUE:  
16±1 IN.LB.
- SEE DETAIL Y

Seals: O-Ring [4.0mm ID x 1.5mm CS] Metric, N-70, Static

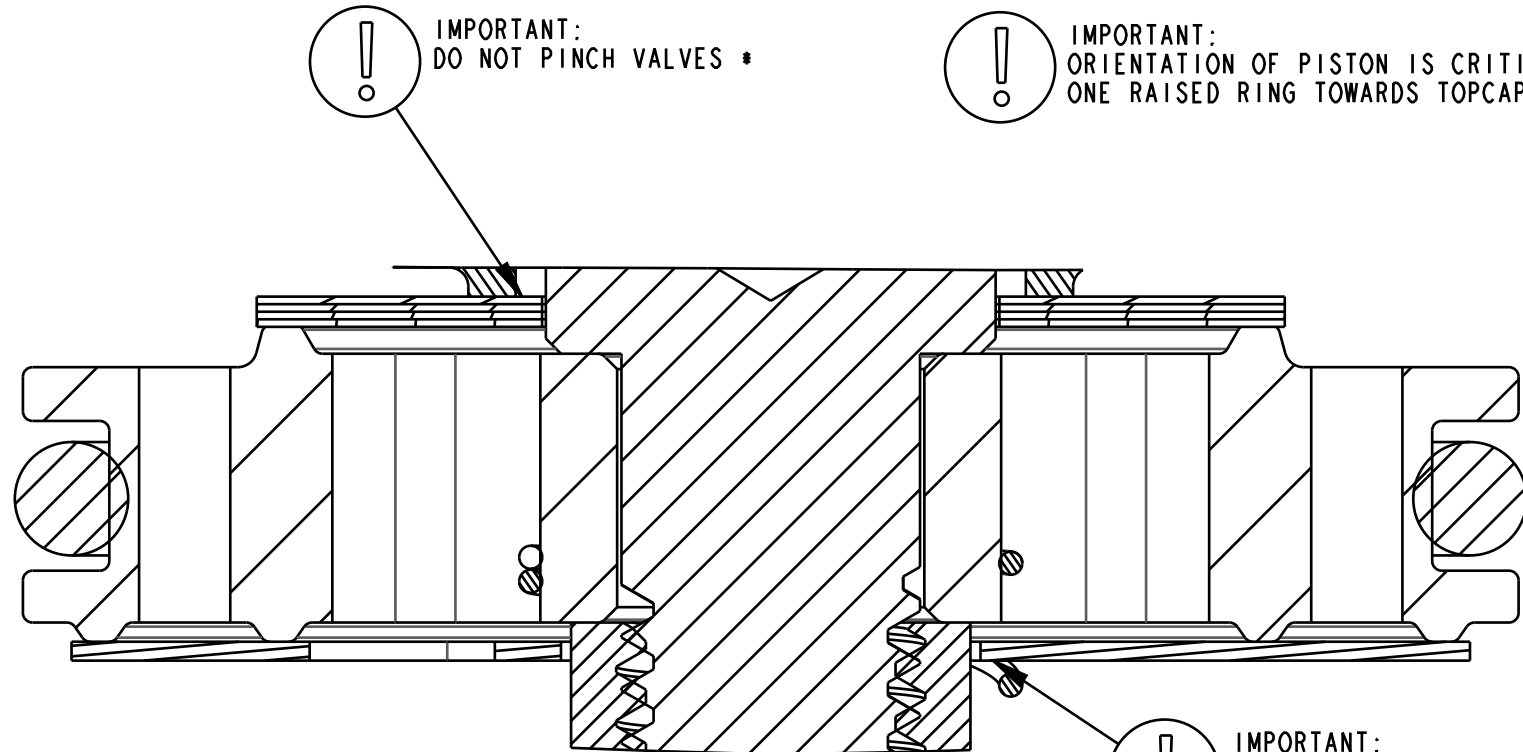


IMPORTANT:  
NOTE ORIENTATION  
THIS END TAPERED

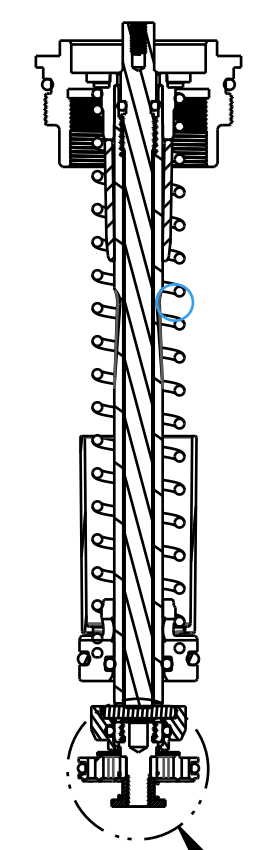
IMPORTANT:  
DO NOT PINCH VALVES \*

IMPORTANT:  
ORIENTATION OF PISTON IS CRITICAL  
ONE RAISED RING TOWARDS TOPCAP

IMPORTANT:  
DO NOT PINCH CHECK VALVE \*



DETAIL Z  
SCALE 10.000



SECTION A-A  
SEE DETAIL Z

PROPRIETARY  
THIS DOCUMENT CONTAINS CONFIDENTIAL, PROPRIETARY INFORMATION  
THAT IS FOX PROPERTY. DO NOT DISCLOSE TO OR DUPLICATE  
FOR OTHERS EXCEPT AS AUTHORIZED BY FOX.

		<b>FOX Factory, Inc.</b>	Ph 831-768-1100
		130 Hangar Way, Watsonville, CA 95076 USA	Fax 831-768-9312
TITLE	2019 34 Grip E-Bike Damper, Topcap Assy		
SIZE	DWG. NO.	820-05-534-KIT	
C		PLOT SCALE 0.80:1	SHEET 1 OF 1