

4

3

2

1

D

D

C

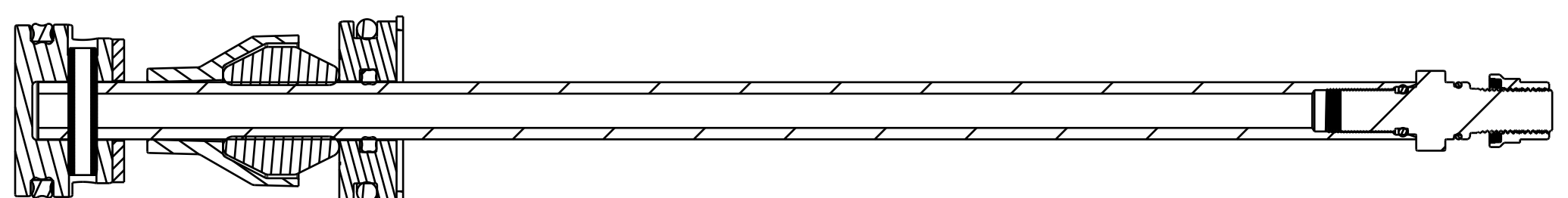
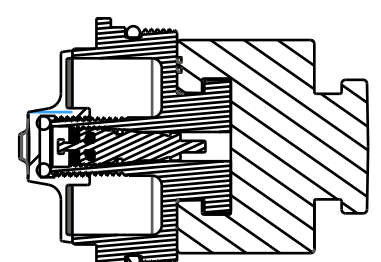
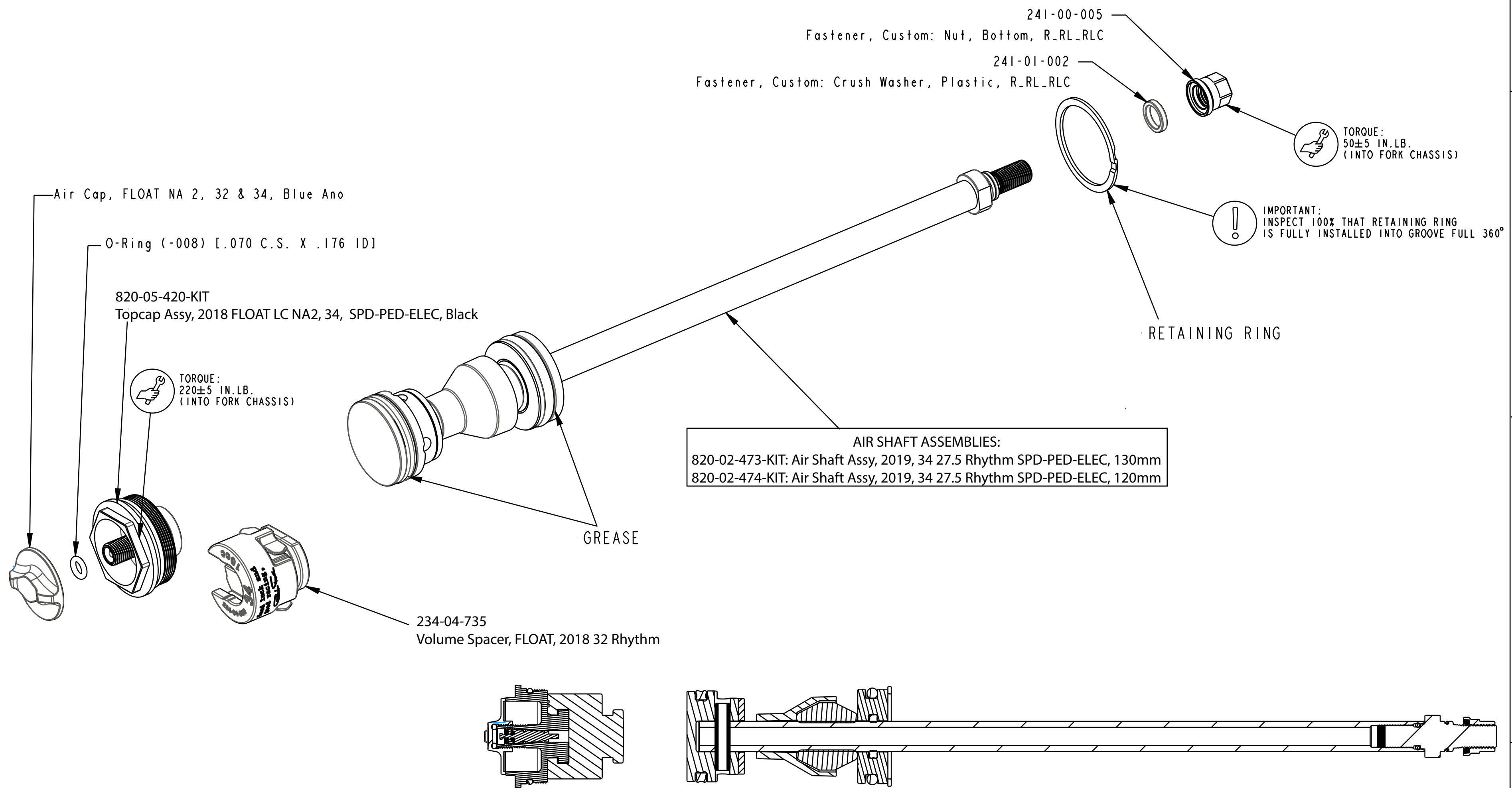
C

B

B

A

A



SECTION A-A

PROPRIETARY
THIS DOCUMENT CONTAINS CONFIDENTIAL, PROPRIETARY INFORMATION
THAT IS FOX PROPERTY. DO NOT DISCLOSE TO OR DUPLICATE
FOR OTHERS EXCEPT AS AUTHORIZED BY FOX.

FOX **FOX Factory, Inc.** Ph 831-768-1100
130 Hangar Way, Watsonville, CA 95076 USA Fax 831-768-9312

TITLE **Air Spring Assemblies 2019**
34 RHYTHM E-Bike+

SIZE DWG. NO. **C**

PLOT SCALE | .00 : 1 | SHEET 1 OF 1

4

3

2

1

ProE ASSEM