

4

3

2

1

D

D

C

C

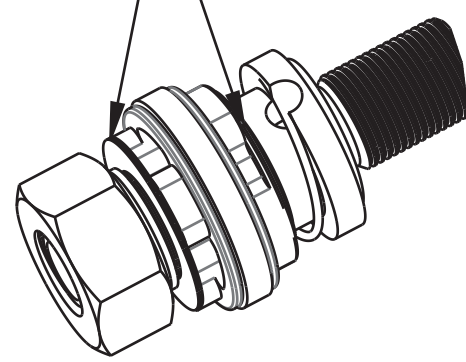
B

B

A

A

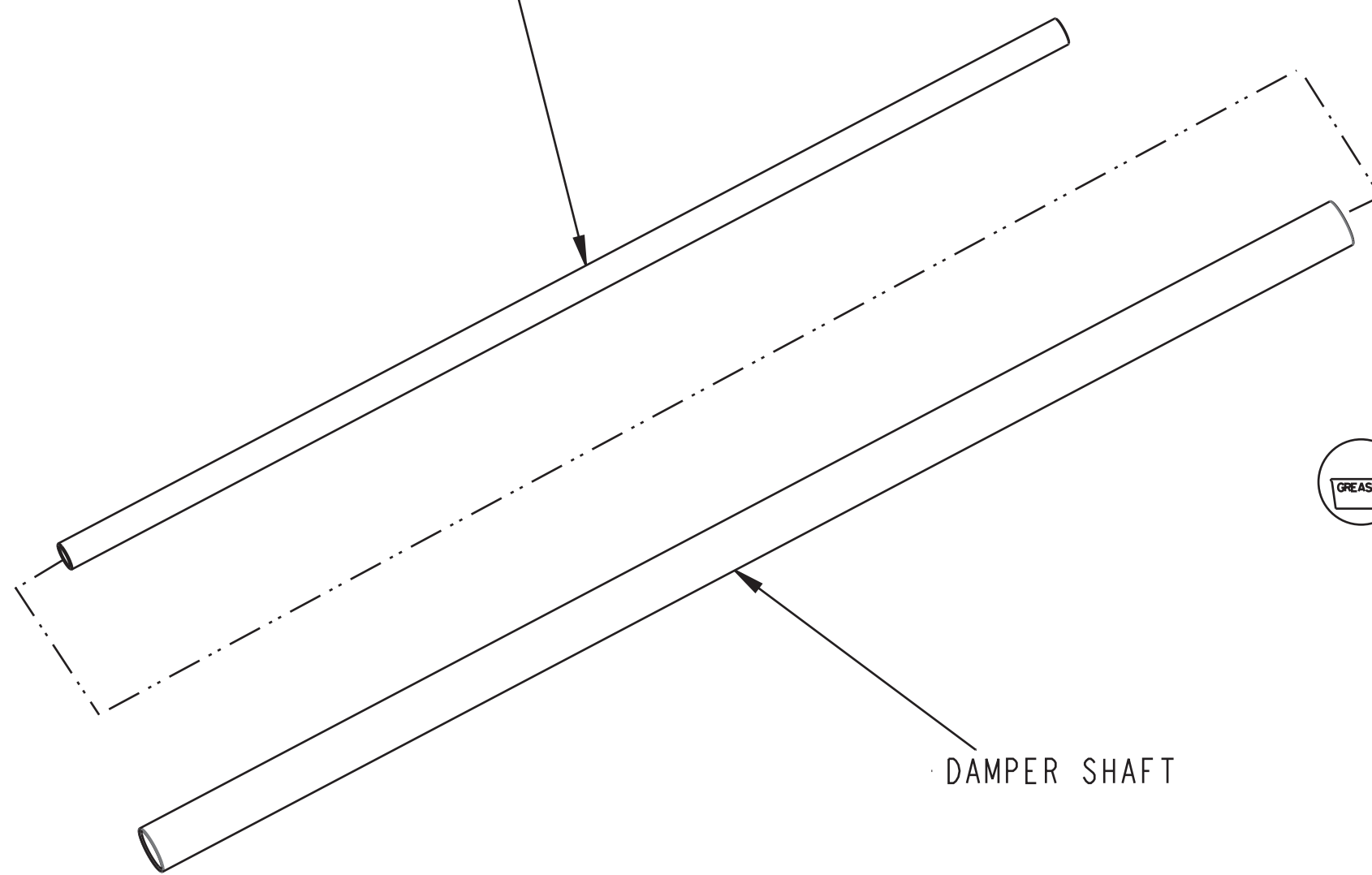
IMPORTANT:  
ENSURE VALVES ARE NOT  
PINCHED DURING ASSEMBLY



DETAIL A  
SCALE 2.000

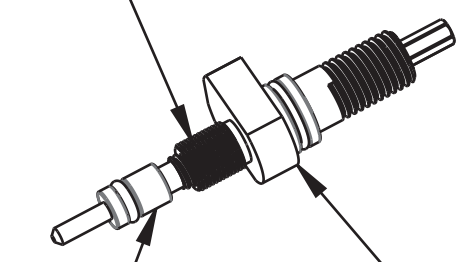
820-03-569-KIT  
Sealhead Assy, 2019 FIT [8mm, M17.56] Trelleborg, O-Ring

REBOUND TUBE



DAMPER SHAFT

LOCTITE:  
RED 263, 1 DROP



TORQUE:  
30±5 IN LBS

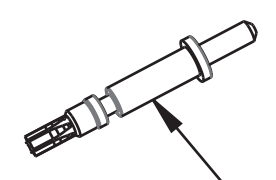
820-03-562-KIT  
2019 34 SC FIT4 Rebound Adjuster Assy, 8mm Shaft

GREASE:  
THIN LAYER SLICK  
HONEY ON BULLET TOOL



SEE DETAIL A

GREASE:  
THIN LAYER  
SLICK HONEY



Needle, Rebound, 2019 FIT4, 8mm



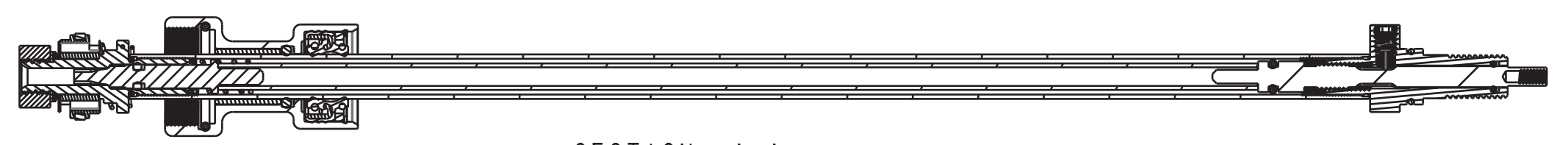
Spring: [0.688 TLG X 0.150 ID X 22.0 lbs/in] Stainless Steel

Seals: O-Ring [2.0 MM ID x 1.5 MM CS] Metric, N-60, Static

TORQUE:  
30±5 IN LBS



820-03-610-KIT  
2020 FIT4 Rebound Piston Assy, 8mm Shaft



SECTION A-A

- PROPRIETARY -  
THIS DOCUMENT CONTAINS CONFIDENTIAL, PROPRIETARY INFORMATION  
THAT IS FOX PROPERTY. DO NOT DISCLOSE TO OR DUPLICATE  
FOR OTHERS EXCEPT AS AUTHORIZED BY FOX.

**FOX** **FOX Factory, Inc.** Ph 831-768-1100  
130 Hangar Way, Watsonville, CA 95076 USA Fax 831-768-9312

TITLE  
2022 34 SC 120 Max FIT4  
Damper Shaft Assy, 8mm Shaft

SIZE DWG. NO. **820-03-674-KIT**

PLOT SCALE | .00:1 | SHEET 1 OF 1

4

3

2

1

ProE ASSEM