

4

3

2

1

D

D

C

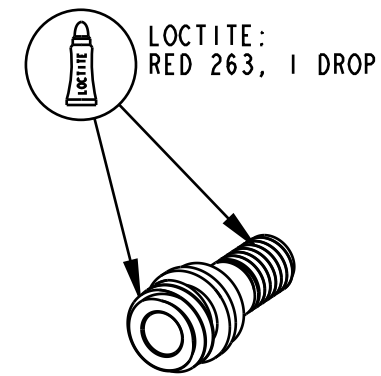
C

B

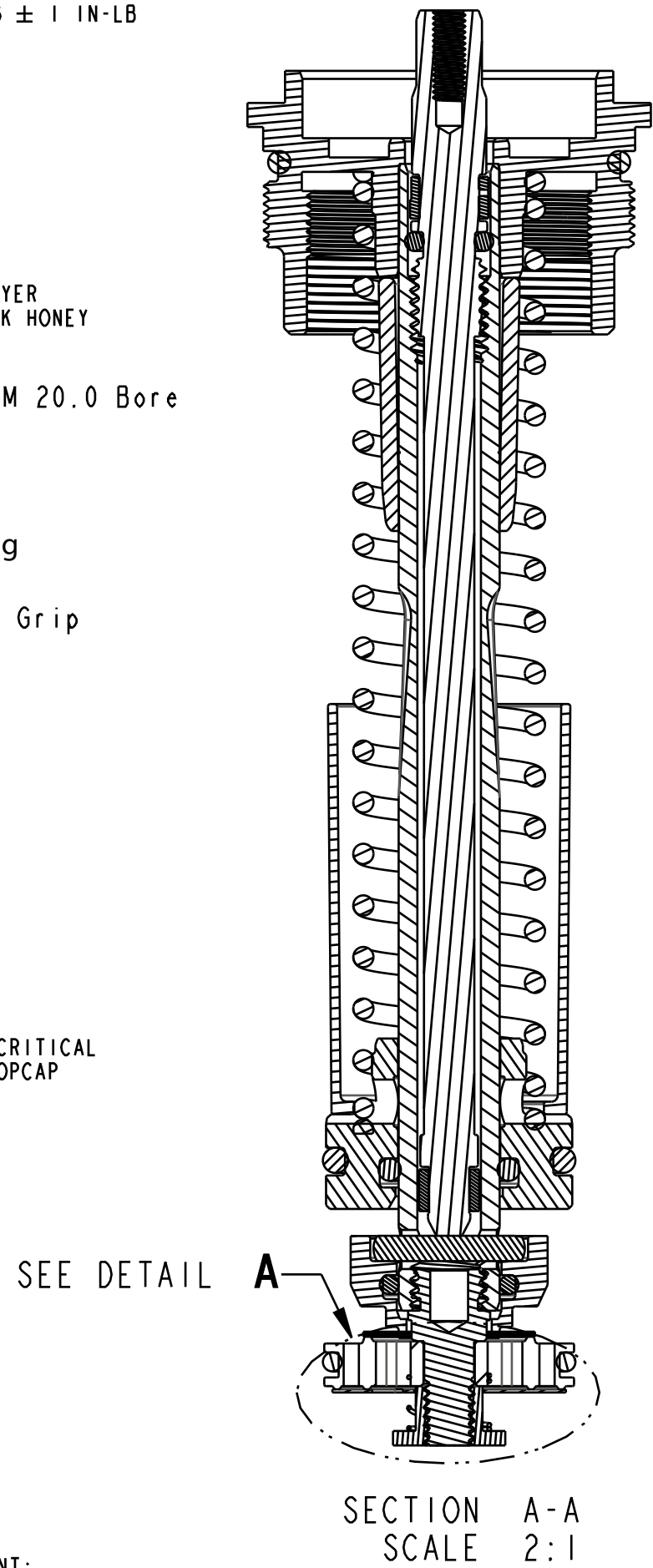
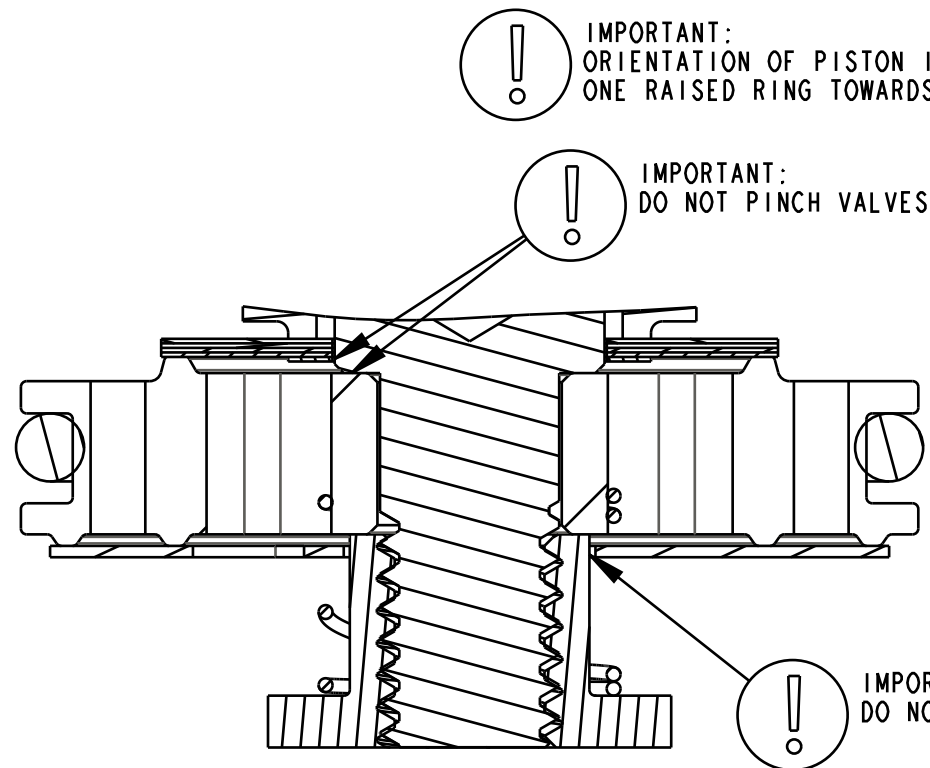
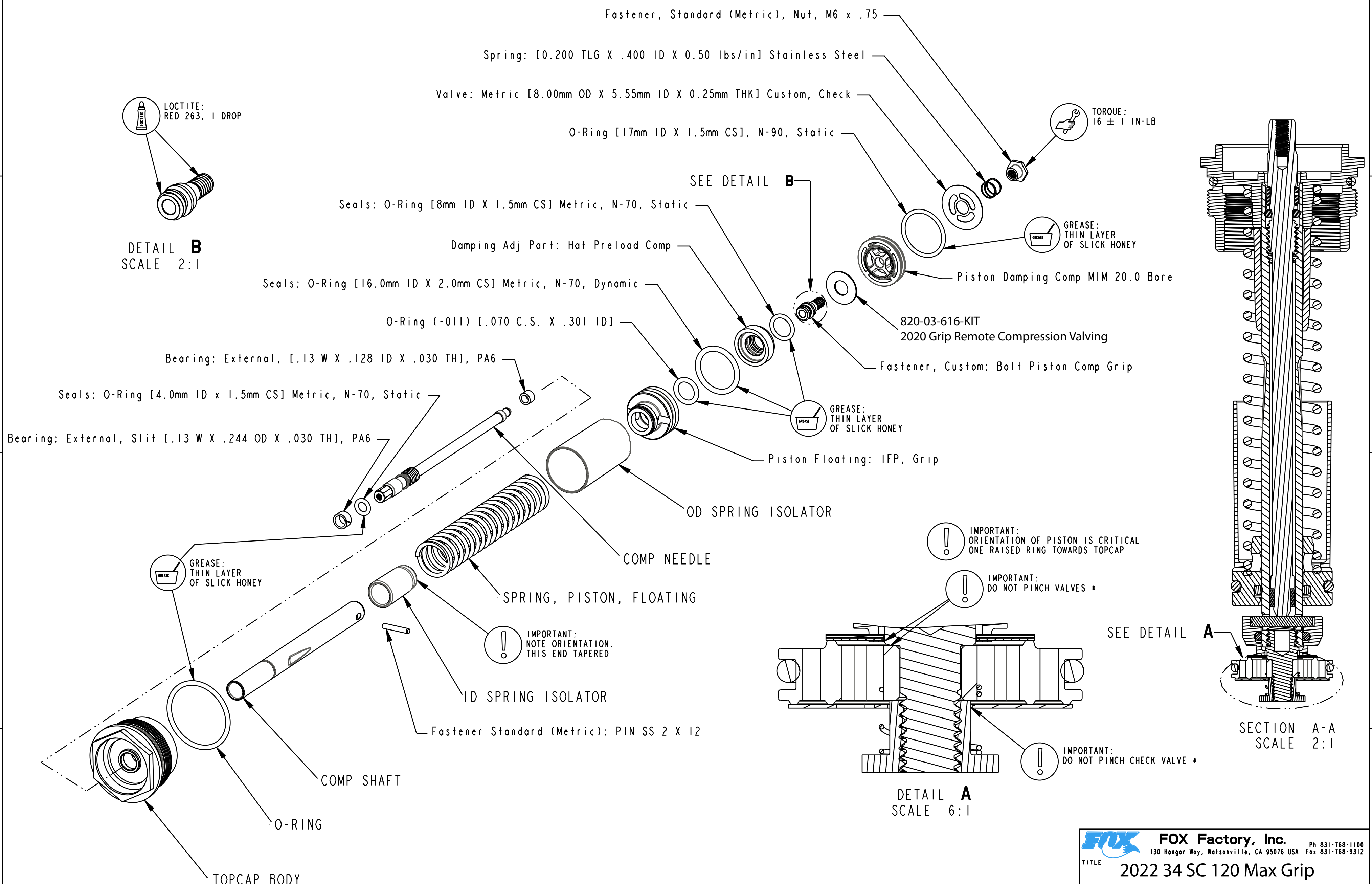
B

A

A



DETAIL B
SCALE 2:1



PROPRIETARY
THIS DOCUMENT CONTAINS CONFIDENTIAL, PROPRIETARY INFORMATION
THAT IS FOX PROPERTY. DO NOT DISCLOSE TO OR DUPLICATE
FOR OTHERS EXCEPT AS AUTHORIZED BY FOX.

		FOX Factory, Inc.	Ph 831-768-1100
		130 Hangar Way, Watsonville, CA 95076 USA	Fax 831-768-9312
TITLE 2022 34 SC 120 Max Grip Remote, Topcap Assy			
SIZE	DWG. NO.	820-05-684-KIT	
PLOT SCALE	1:1	SHEET 1 OF 1	

4

3

2

ProE ASSEM