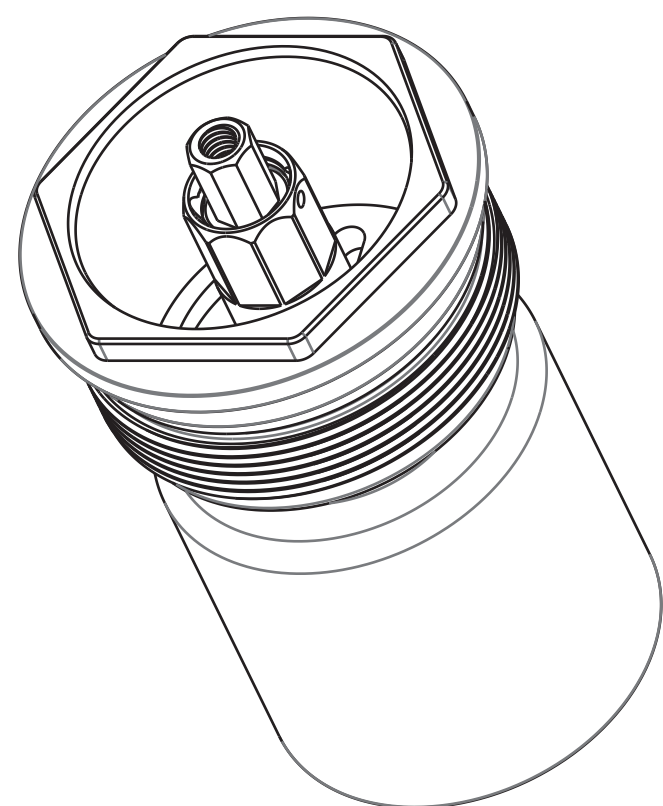


4

3

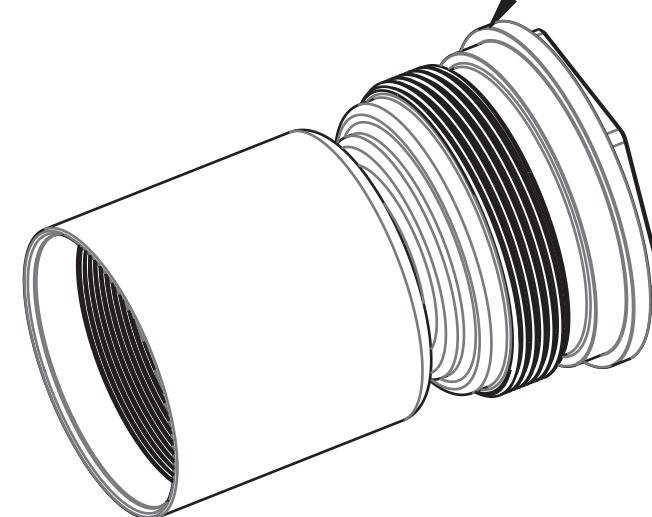
2

1



820-03-258-KIT
2017 FIT4 Lightweight Top Cap Parts

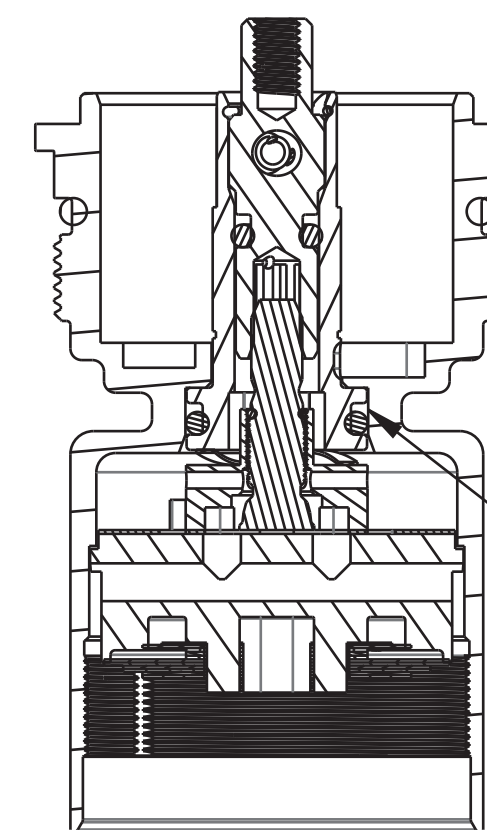
TOPCAP BODY



TOPCAP O-RING



820-03-613-KIT
2020 FIT4 Compression Valving Assy, 8mm Shaft



GREASE:
APPLY SLICK HONEY TO INSIDE
OF TOPCAP BORE BEFORE ASSEMBLY

FOX **FOX Factory, Inc.** Ph 831-768-1100
130 Hangar Way, Watsonville, CA 95076 USA Fax 831-768-9312

TITLE
**2020 36 FIT4 F-S Topcap Assy,
Black Ano**

SIZE DWG. NO.
C 820-05-595-KIT

PLOT SCALE | .50 : 1 |

SHEET | OF | 1

- PROPRIETARY -
THIS DOCUMENT CONTAINS CONFIDENTIAL, PROPRIETARY INFORMATION
THAT IS FOX PROPERTY. DO NOT DISCLOSE TO OR DUPLICATE
FOR OTHERS EXCEPT AS AUTHORIZED BY FOX.

4

3

2

1