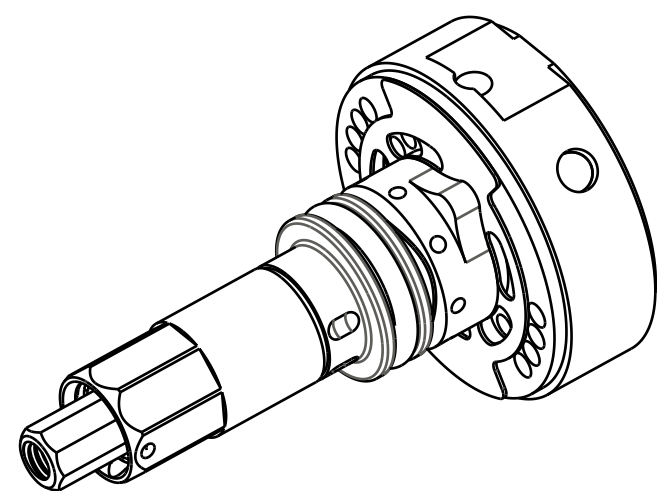


4

3

2

1



Butterfly Valve, FIT4, Large Tabs

Retaining Ring: Wire [0.340 OD X 0.024" Wire] 17-7 SST

Ball [Ø.1094]

GREASE:
THIN LAYER
OF SLICK HONEY

SHAFT, COMPRESSION SELECTOR, F-S, FIT4

Piston, Compression, FIT4, Dished, Aluminum

GREASE:
THIN LAYER
OF SLICK HONEY

Compression Adjust Needle, F-S, FIT4

Compression Adjust Coupler, F-S, FIT4

Lockout Selector, F-S, FIT4

Spring: Wave [.322 ID x .420 OD, 3 Waves] SS

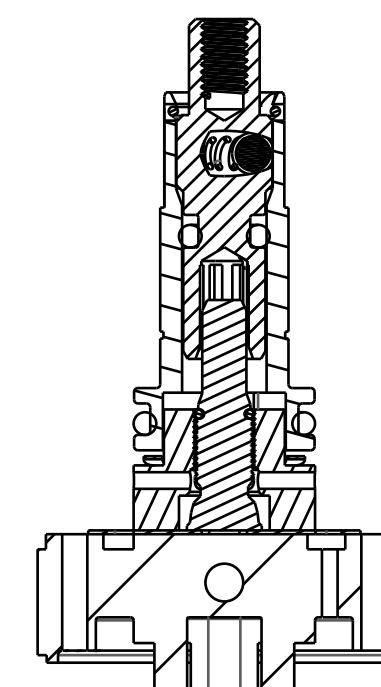
Seals: O-Ring [9.0MM ID x 1.5MM CS] Metric, N-70, Dynamic

Seals: O-Ring [3.0MM ID x 1.5MM CS] Metric, N-70, Static


Ball [Ø.1094]

Spring: Detent [.138 TLG, .087 OD, 48 lb/in]

Retaining Ring: Wire [.280 OD X .024 CS] SS



- PROPRIETARY -
THIS DOCUMENT CONTAINS CONFIDENTIAL, PROPRIETARY INFORMATION
THAT IS FOX PROPERTY. DO NOT DISCLOSE TO OR DUPLICATE
FOR OTHERS EXCEPT AS AUTHORIZED BY FOX.

 FOX Factory, Inc. <small>130 Hangar Way, Watsonville, CA 95076 USA</small>		<small>Ph 831-768-1100 Fax 831-768-9312</small>
TITLE 2017 FIT4 LIGHTWEIGHT TOP CAP PARTS		
SIZE C	DWG. NO. 820-03-258-KIT	
PLOT SCALE 2.00:1		SHEET 1 OF 1

4

3

2

1