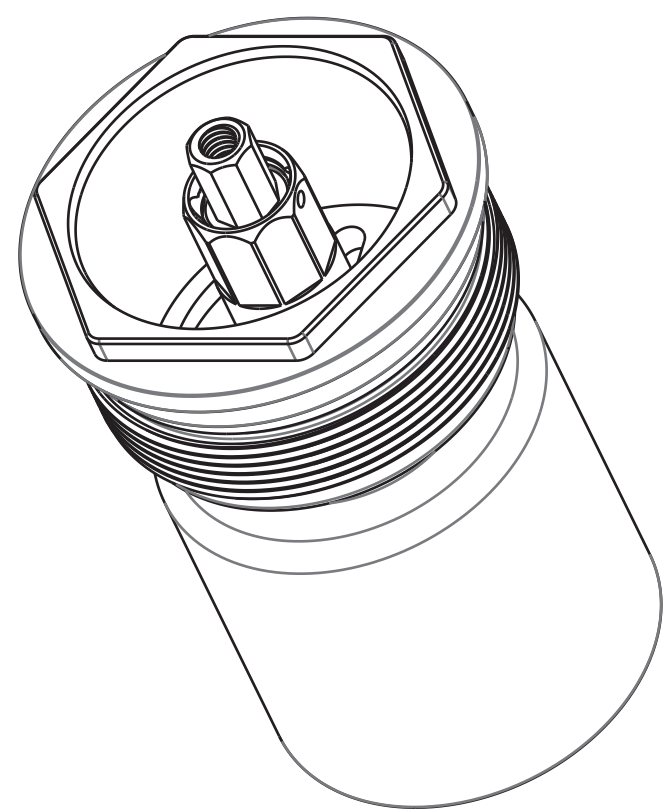


4

3

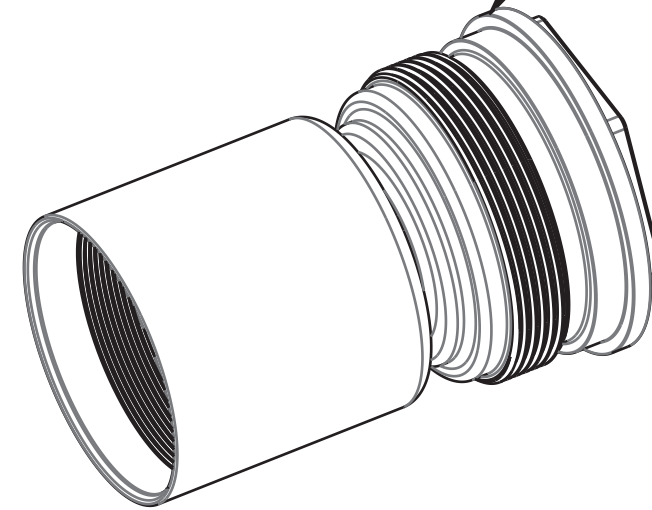
2

1

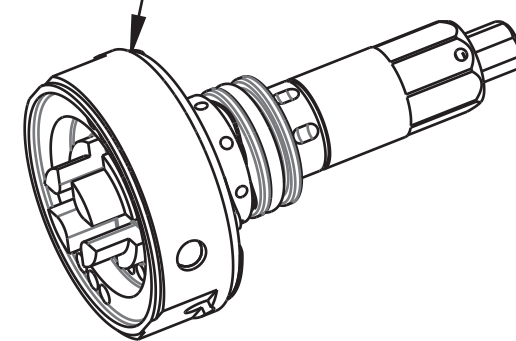


820-03-258-KIT
2017 FIT4 Lightweight Top Cap Parts

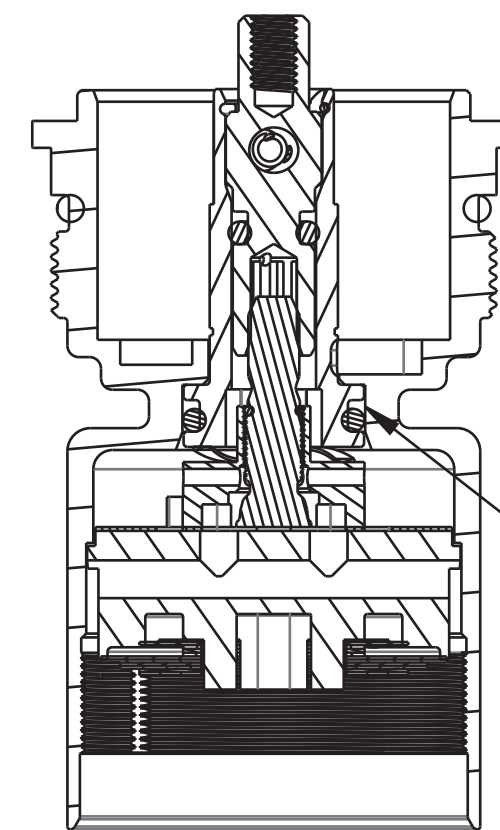
TOPCAP BODY



TOPCAP O-RING



820-03-624-KIT
2020 FIT4 Compression Valving Assy, CL tune, 8mm Shaft



GREASE:
APPLY SLICK HONEY TO INSIDE
OF TOPCAP BORE BEFORE ASSEMBLY

FOX		FOX Factory, Inc.	Ph 831-768-1100
		130 Hangar Way, Watsonville, CA 95076 USA	Fax 831-768-9312
TITLE			
2021 38 FIT4 E-Bike Topcap Assy, Black Ano, 3 Pos Adj			
SIZE		DWG. NO.	
C		820-05-652-KIT	
PLOT SCALE .50 : 1		SHEET OF	

- PROPRIETARY -
THIS DOCUMENT CONTAINS CONFIDENTIAL, PROPRIETARY INFORMATION
THAT IS FOX PROPERTY. DO NOT DISCLOSE TO OR DUPLICATE
FOR OTHERS EXCEPT AS AUTHORIZED BY FOX.

4

3

2

1

D

D

C

C

B

B

A

A