

REFERENCE ONLY
(FOR INSTALLATION
INTO FORK)

TORQUE:
110 ± 5
IN-LBS

REBOUND KNOB

LOCTITE:
BLUE 242
ONE DROP

Fastener, Standard: Screw [#8-32 X 0.250 TLG]

TORQUE:
5.0 ± 1.0 IN. LB.

241-00-022
Fastener, Custom: Nut, Bottom, 011

241-01-011
Fastener, Custom: Crush Washer, Plastic, 13mm

820-05-377-KIT
2016 FIT4 Bottom Stud Interface Parts 36, 38 and 40

820-05-456-KIT
2018 FIT4 TopCap Interface Parts F-S Remote, U-Cup, Push-Lock

REMOTE HOUSING

REFERENCE ONLY
(FOR INSTALLATION
INTO FORK)

TORQUE:
220 ± 5 IN. LB.

GREASE:
THIN LAYER OF
BLUE MARINE GREASE

TORSION SPRING

Bearing, Roller, 14mm OD x 7mm ID x 3.5mm TLG

Set Screw [M4x4mm], SST, Cup Point, Patchlock

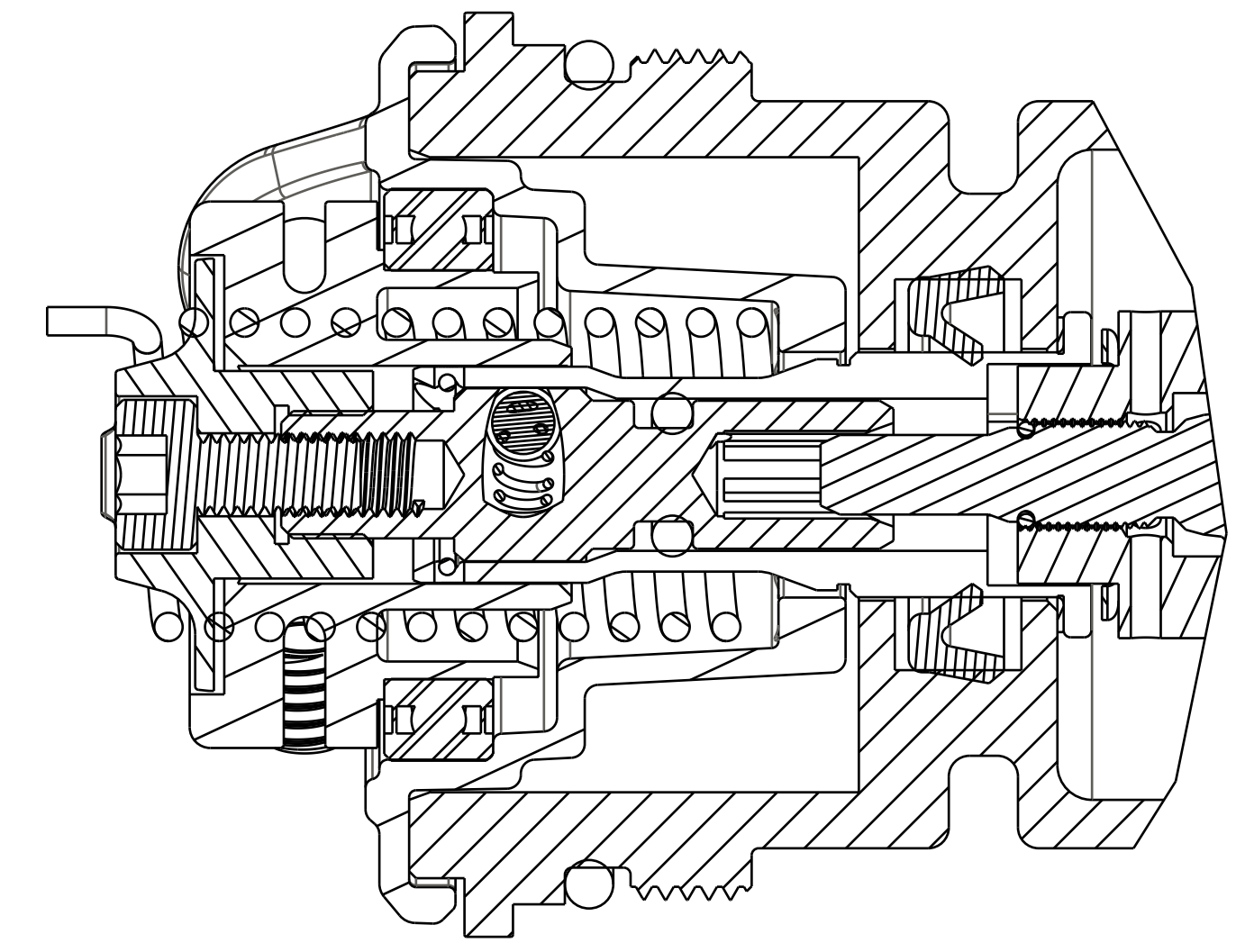
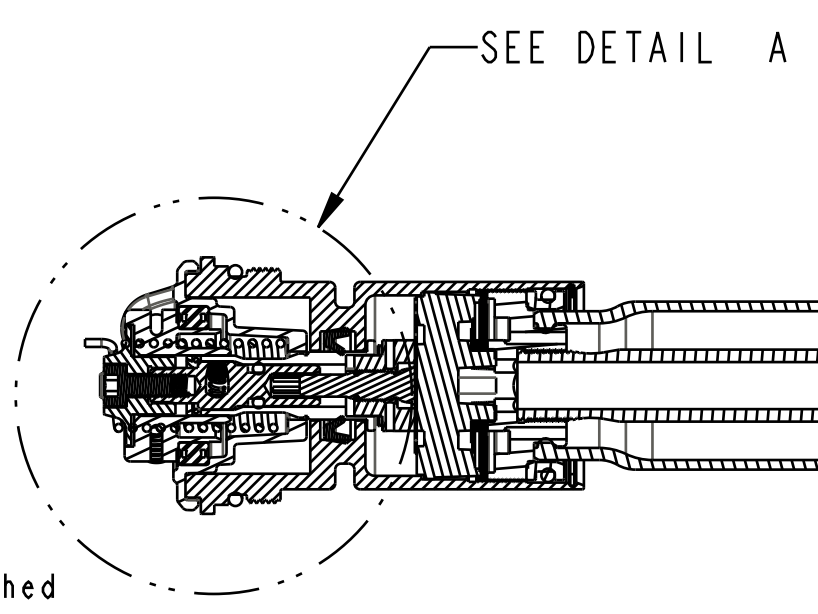
Cable Pulley, Remote, LSC, FIT4, Bearing, Thru Broached

Remote Compression Adjust Knob, F-S, FIT4

Fastener, Standard (Metric): Screw [M3 X 6mm] SHCS, Patchlock

TORQUE:
11 ± 3 IN. LB.

IMPORTANT:
DO NOT ALLOW PULLEY
TO ROTATE WHILE TORQUING



SECTION A-A

FOX Factory, Inc.
130 Hangar Way, Watsonville, CA 95076 USA
Ph 831-768-1100
Fax 831-768-9312

TITLE
**2021 38 180 Max FIT4 E-Bike, Remote,
Complete, Black Ano, PTL 2 Pos Adj**

SIZE DWG. NO.
D 820-18-353-KIT

PLOT SCALE 1.00:1 | SHEET 1 OF 1

PROPRIETARY
THIS DOCUMENT CONTAINS CONFIDENTIAL, PROPRIETARY INFORMATION
THAT IS FOR PROPERTY USE ONLY. DO NOT DISCLOSE TO OR DUPLICATE
FOR OTHERS EXCEPT AS AUTHORIZED BY FOX.