

4

3

2

1

D

D

C

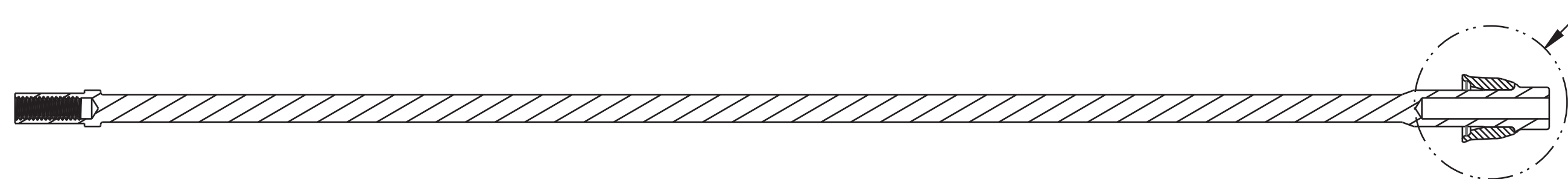
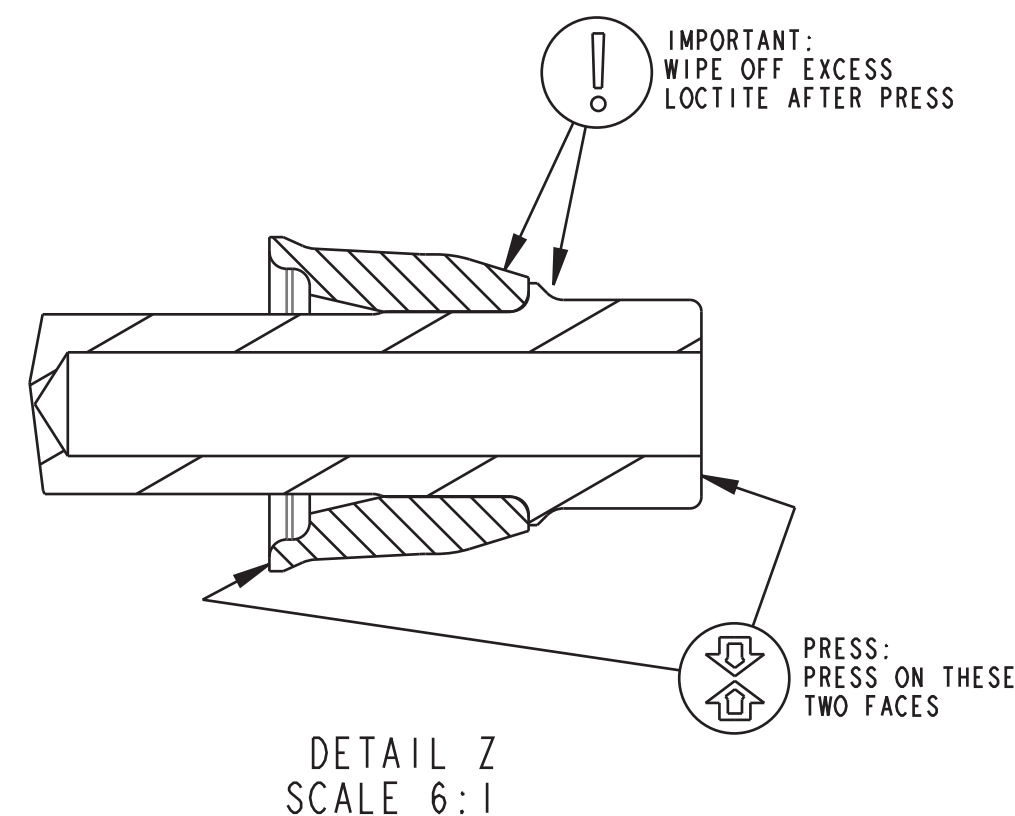
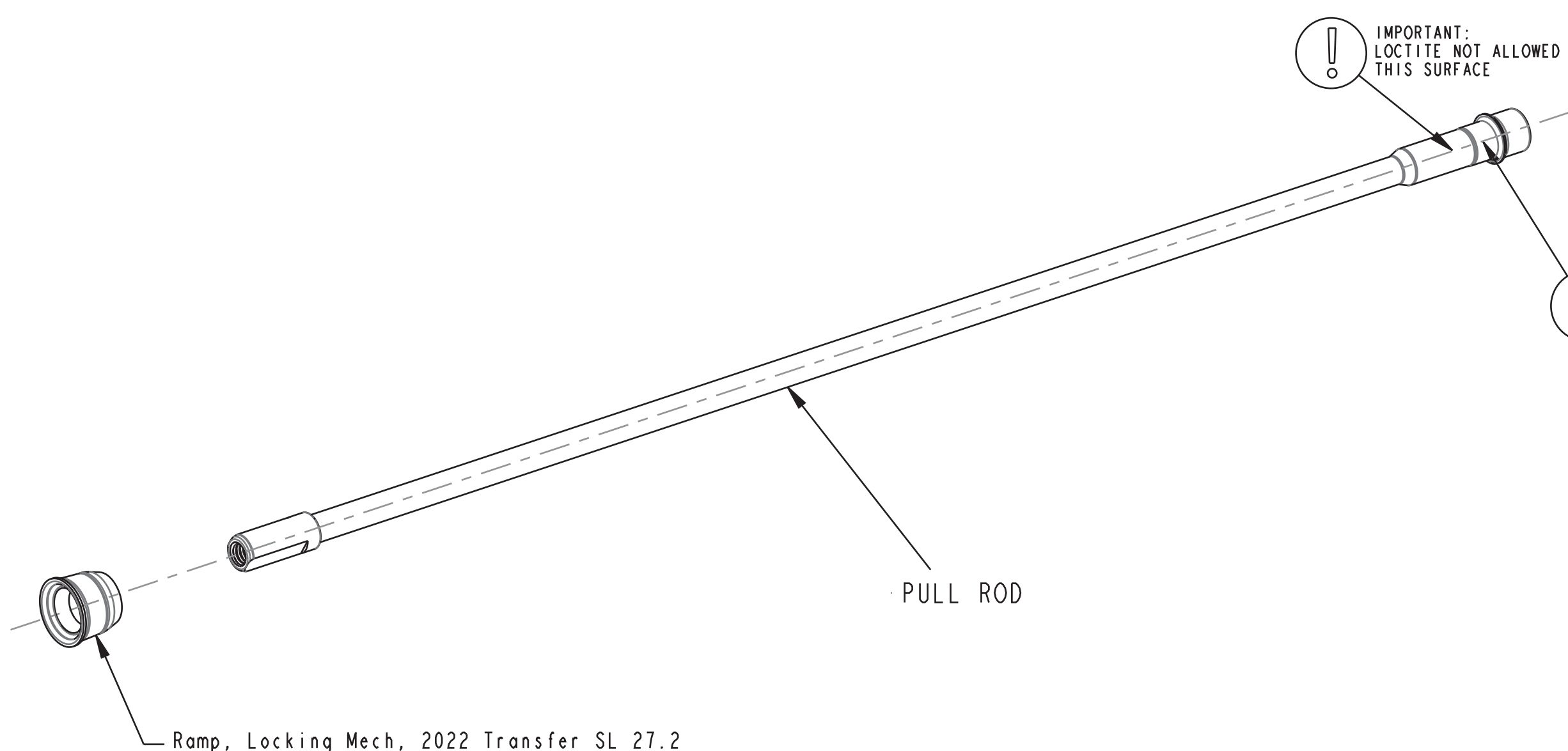
C

B

B

A

A



- PROPRIETARY -
 THIS DOCUMENT CONTAINS CONFIDENTIAL, PROPRIETARY INFORMATION
 THAT IS FOX PROPERTY. DO NOT DISCLOSE TO OR DUPLICATE
 FOR OTHERS EXCEPT AS AUTHORIZED BY FOX.

FOX		FOX Factory, Inc.	Ph 831-768-1100
		130 Hangar Way, Watsonville, CA 95076 USA	Fax 831-768-9312
TITLE			
2022 Transfer SL 27.2mm Pull Rod Assy			
SIZE DWG. NO.			
C			
PLOT SCALE		2:1	SHEET 1 OF 1