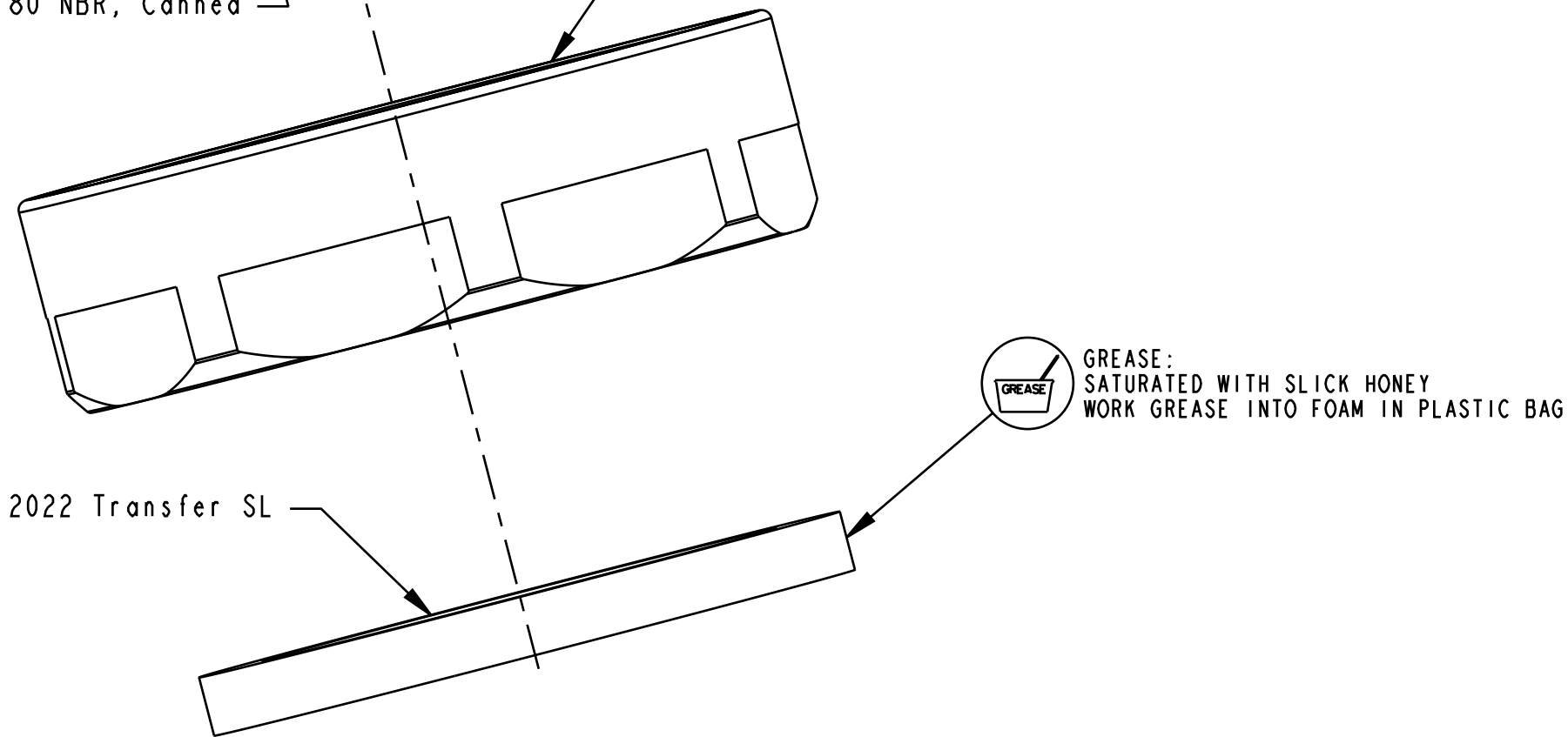
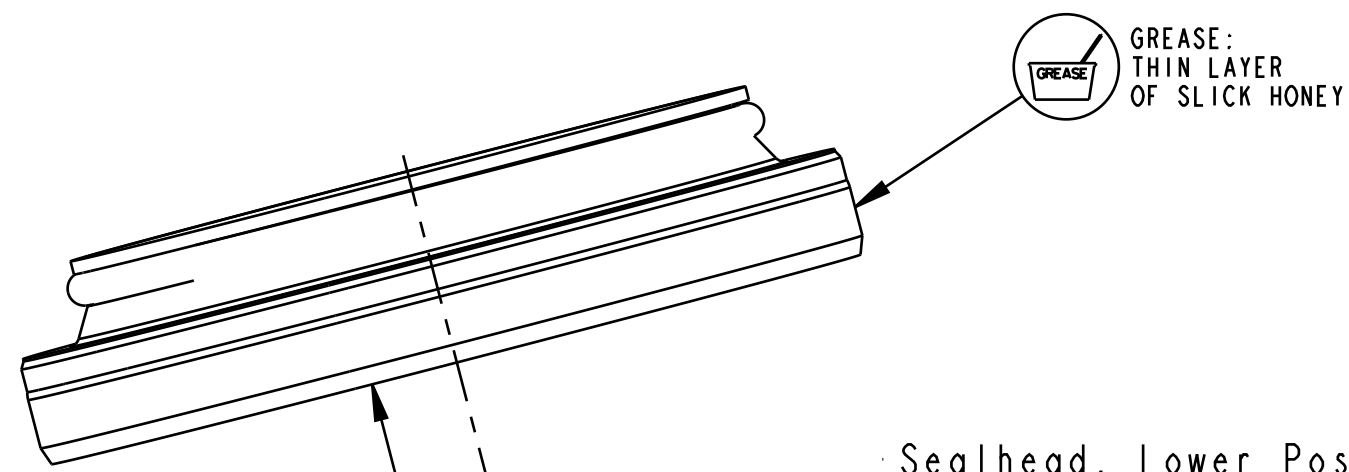


4

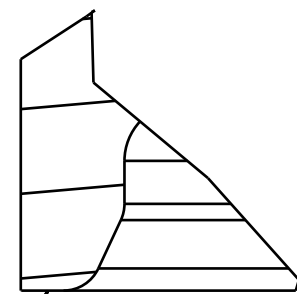
3

2

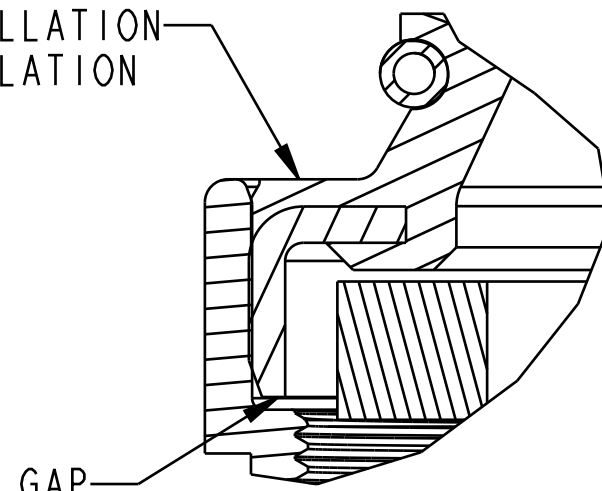
1



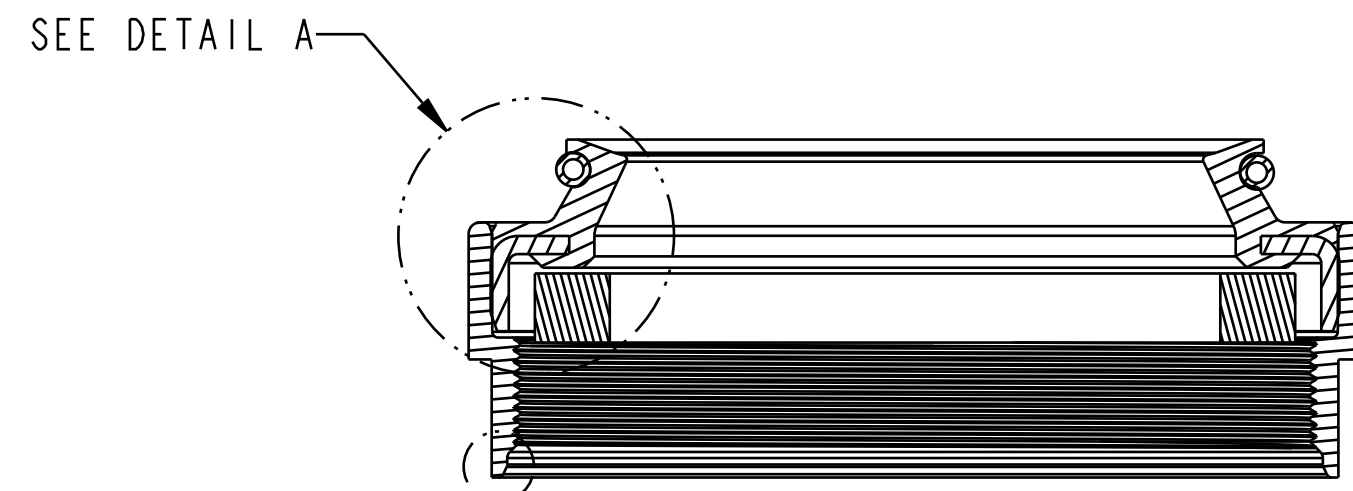
SEAL IS FLUSH WITH SEAL HEAD AFTER INSTALLATION
PRESS ONLY ON THIS SURFACE OF SEAL DURING INSTALLATION



DETAIL B
SCALE 20:1



DETAIL A
SCALE 6:1



SECTION A-A

SUPPORT THIS SURFACE WHEN SEAL IS INSTALLED

FOX FOX Factory, Inc. Ph 831-768-1100
130 Hangar Way, Watsonville, CA 95076 USA Fax 831-768-9312

TITLE 2022 Transfer SL 30.9/31.6mm
Seal Head Assys

SIZE DWG. NO. C
PLOT SCALE 3:1 SHEET 1 OF 1

- PROPRIETARY -
THIS DOCUMENT CONTAINS CONFIDENTIAL, PROPRIETARY INFORMATION
THAT IS FOX PROPERTY. DO NOT DISCLOSE TO OR DUPLICATE
FOR OTHERS EXCEPT AS AUTHORIZED BY FOX.

4

3

2

1