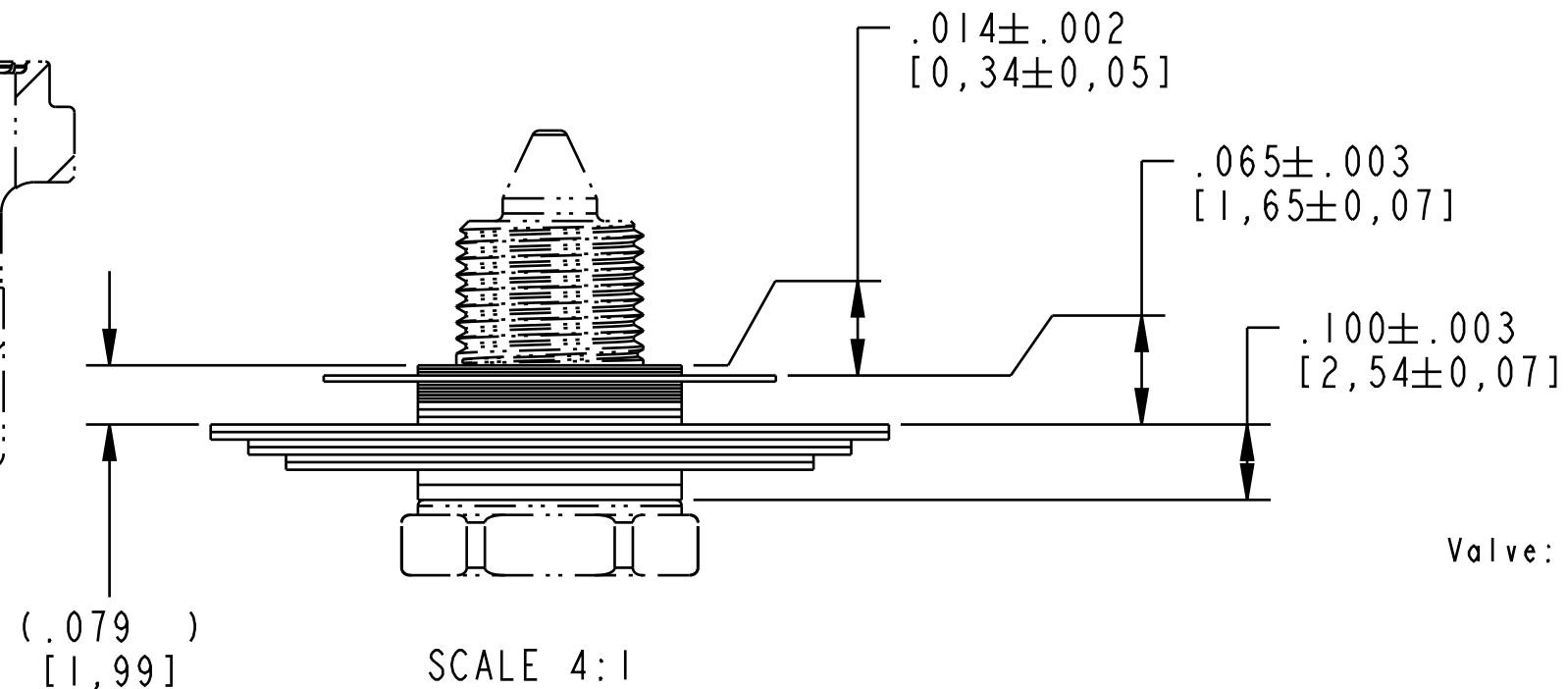
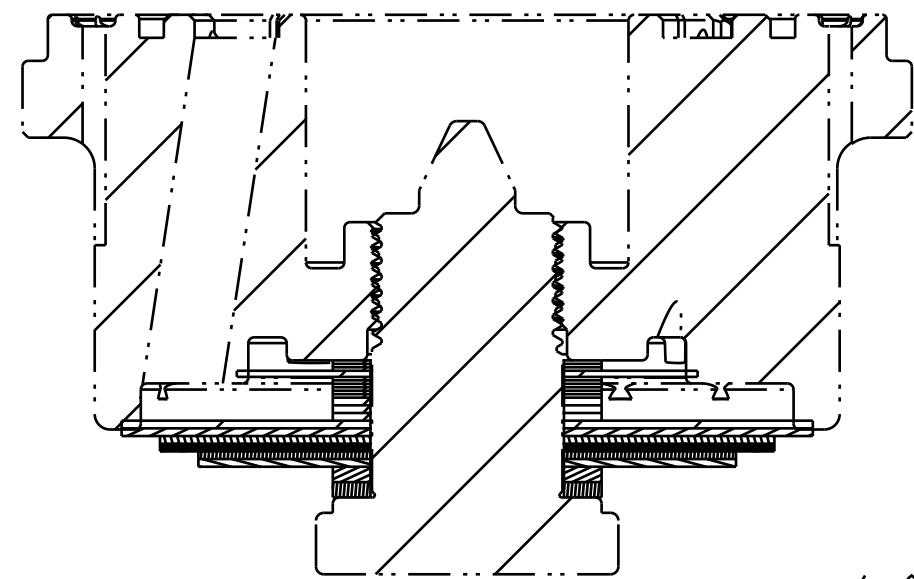


4

3

2

1



Valve: [.600 OD X .252 ID X .008 TH]

Valve: [0.350 OD x 0.252 ID x 0.0045 TH]

Valve: [.350 OD X .252 ID X 0.010 TH]

Valve: Bleed, Single 0.070 Slot [0.900 OD X 0.252 ID X 0.010 TH]

Valve: [.900 OD X .252 ID X .010 TH]

Valve: [.800 OD X .252 ID X .010 TH]

Valve: [.700 OD X .252 ID X .010 TH]

Valve: [0.350 OD x 0.252 ID x 0.0045 TH]

Valve: [.350 OD X .252 ID X 0.010 TH]

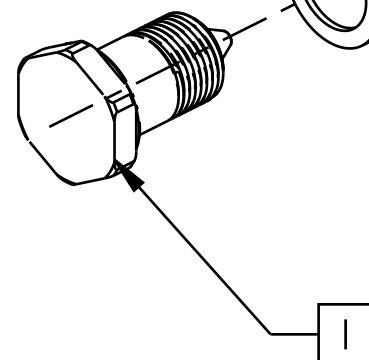
Valve: [.350 OD X .252 ID X .020 TH]

Valve: [.800 OD X .252 ID X .010 TH]

Valve: [.700 OD X .252 ID X .010 TH]

Valve: [.350 OD X .252 ID X .020 TH]

I BASE VALVE AND BOLT SHOWN FOR REFERENCE PURPOSES



**FOX** FOX Factory, Inc. Ph 831-768-1100  
130 Hangar Way, Watsonville, CA 95076 USA Fax 831-768-9312

TITLE  
Valve Stack Assy: 2022 FLOAT X & DHX, Base Valve, Lever Mode Firm, Bleed 2, LFB2

SIZE DWG. NO. **C** 805-05-216-KIT

PLOT SCALE 2:1 SHEET 1 OF 1

- PROPRIETARY -  
THIS DOCUMENT CONTAINS CONFIDENTIAL, PROPRIETARY INFORMATION  
THAT IS FOX PROPERTY. DO NOT DISCLOSE TO OR DUPLICATE  
FOR OTHERS EXCEPT AS AUTHORIZED BY FOX.

4

3

2

1

ProE ASSEM