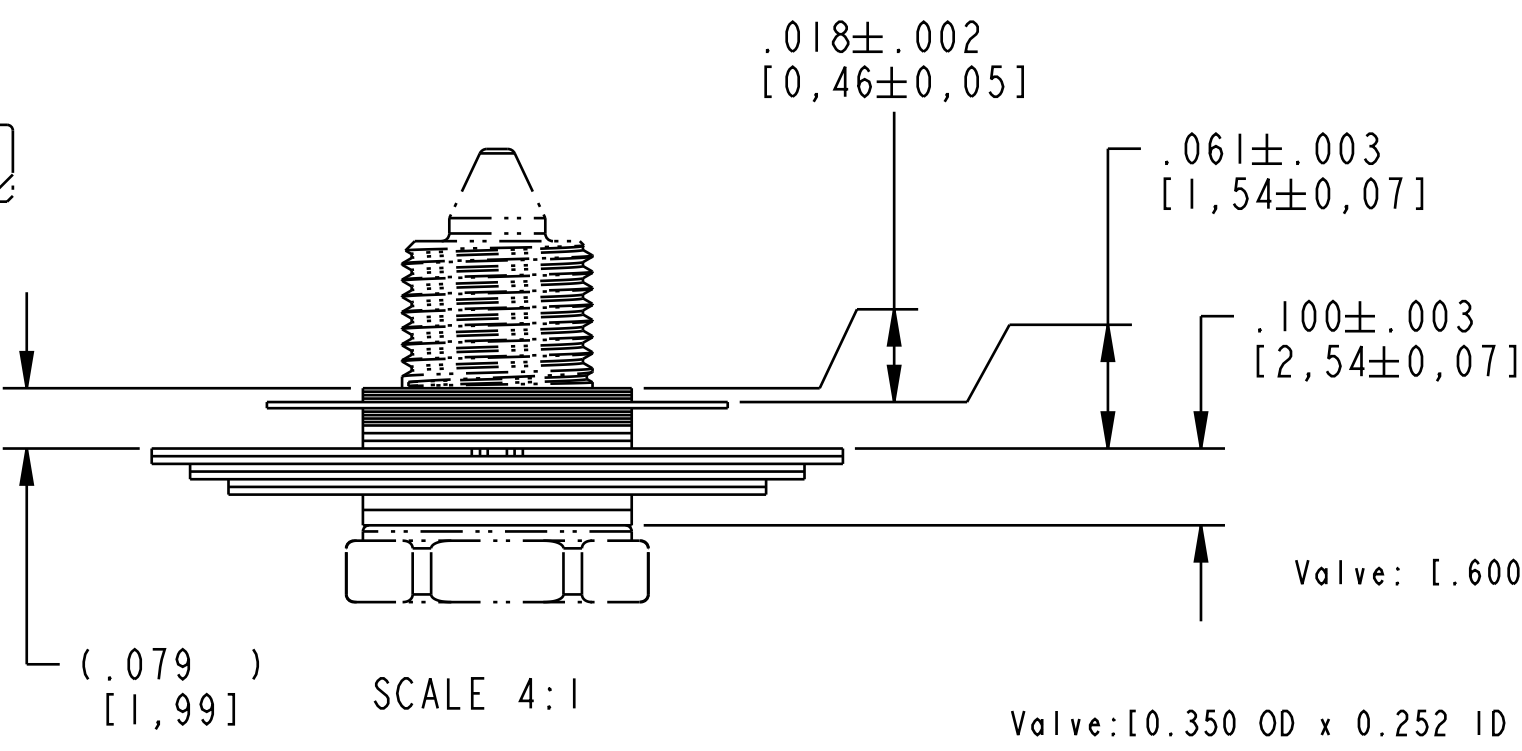
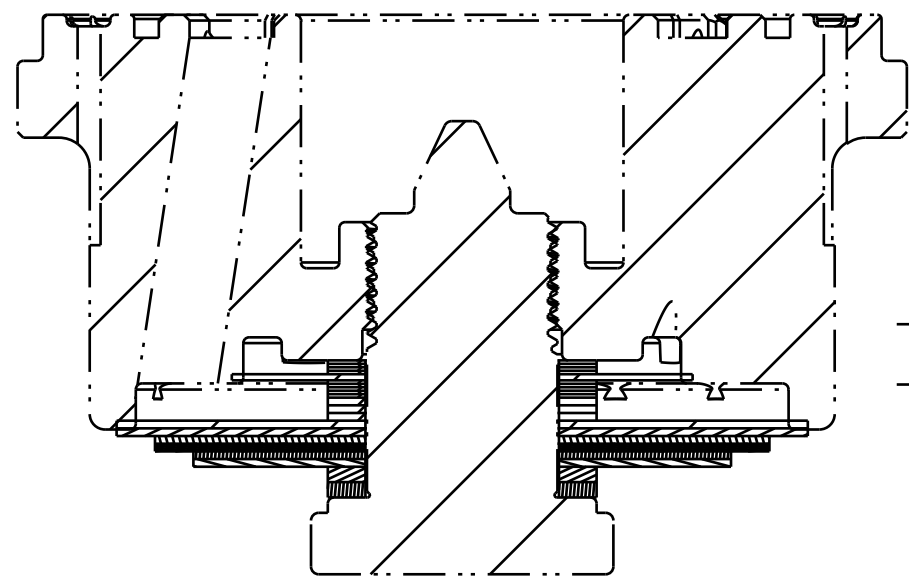


4

3

2

1



Valve: [.600 OD X .252 ID X .008 TH]

Valve: [.350 OD x 0.252 ID x 0.0045 TH]

Valve: [.350 OD X .252 ID X 0.010 TH]

Valve: Bleed, Double 0.045 Slot [.900 OD X 0.252 ID X 0.010 TH]

Valve: [.900 OD X .252 ID X .010 TH]

Valve: [.800 OD X .252 ID X .010 TH]

Valve: [.700 OD X .252 ID X .010 TH]

Valve: [.350 OD x 0.252 ID x 0.0045 TH]

Valve: [.350 OD X .252 ID X 0.010 TH]

Valve: [.350 OD X .252 ID X .020 TH]

Valve: [.800 OD X .252 ID X .010 TH]

Valve: [.700 OD X .252 ID X .010 TH]

Valve: [.350 OD X .252 ID X .020 TH]

□ BASE VALVE AND BOLT SHOWN FOR REFERENCE PURPOSES

**FOX** FOX Factory, Inc. Ph 831-768-1100  
 130 Hangar Way, Watsonville, CA 95076 USA Fax 831-768-9312

TITLE  
 Valve Stack Assy: 2022 FLOAT X & DHX, Base  
 Valve, Lever Mode Medium, Bleed 3, LMB3

SIZE DWG. NO. 805-05-218-KIT  
 C  
 PLOT SCALE 2:1 SHEET 1 OF 1

- PROPRIETARY -  
 THIS DOCUMENT CONTAINS CONFIDENTIAL, PROPRIETARY INFORMATION  
 THAT IS FOX PROPERTY. DO NOT DISCLOSE TO OR DUPLICATE  
 FOR OTHERS EXCEPT AS AUTHORIZED BY FOX.

4

3

2

ProE ASSEM