

4

3

2

1

Cup, Bottom Out, 2021 Coil Shock

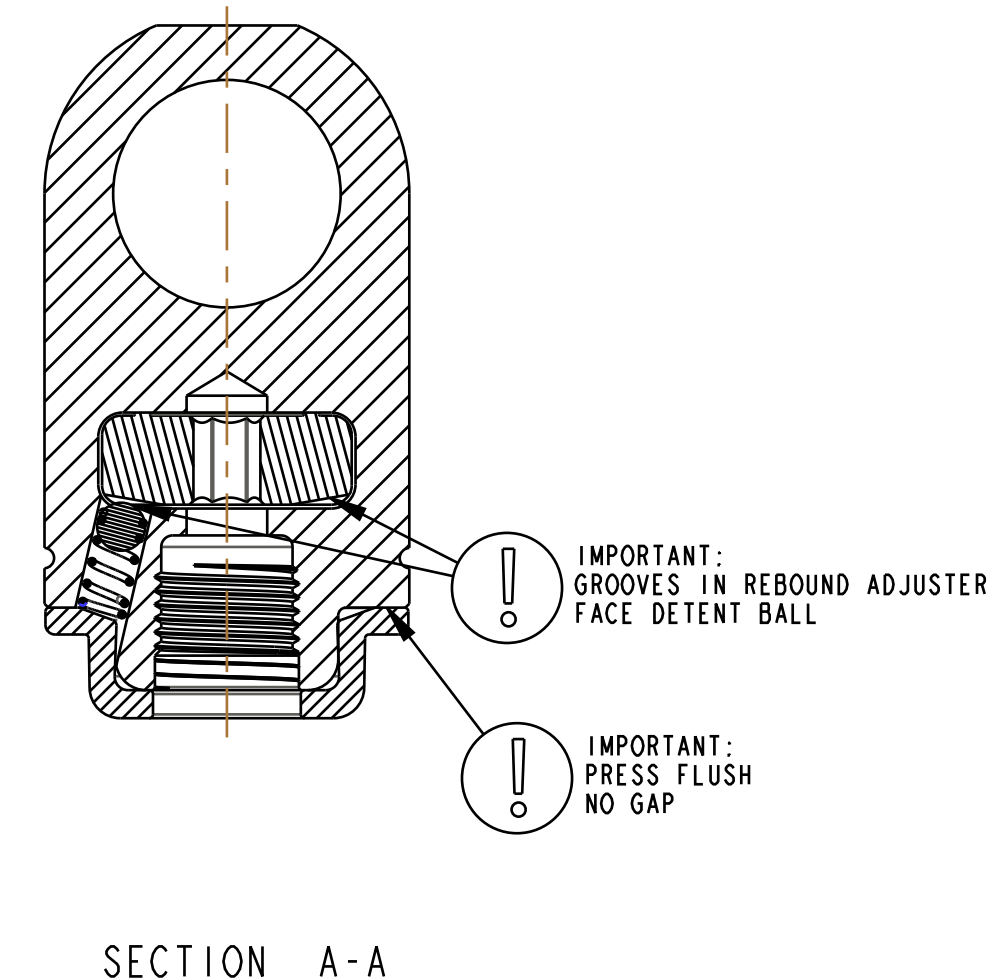
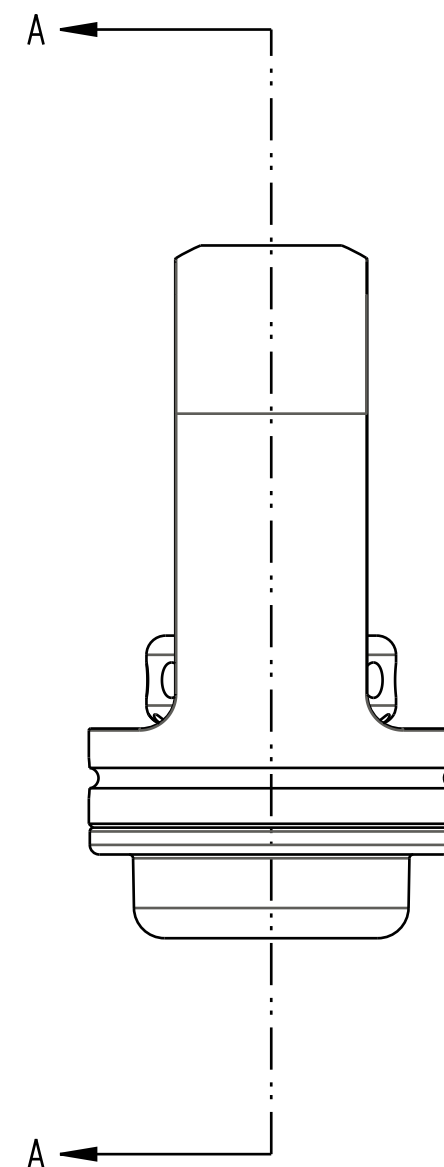
Spring: Detent, 2013 CTD [1.190 TLG, .088 ID, 40 lb/in] 17-7 SS

Ball [Ø 0.1250] Steel

Damping Adj Part: HSR, Knob, VVC

Eyelet: .375 Shaft, 2021 Coil Shock

GREASE:  
THIN LAYER  
HI TEMP GREASE (BLUE)



- PROPRIETARY -  
THIS DOCUMENT CONTAINS CONFIDENTIAL, PROPRIETARY INFORMATION  
THAT IS FOX PROPERTY. DO NOT DISCLOSE TO OR DUPLICATE  
FOR OTHERS EXCEPT AS AUTHORIZED BY FOX.

|   |          |                          |                                     |
|---|----------|--------------------------|-------------------------------------|
|   |          | <b>FOX Factory, Inc.</b> | Ph 831-768-1100<br>Fax 831-768-9312 |
| 130 Hangar Way, Watsonville, CA 95076 USA   |          |                          |                                     |
| TITLE<br>Eyelet Assy: Shaft, HSR Adj [Ø .375<br>Shaft, .950 OD X 1.804 TLG] Black |          |                          |                                     |
| SIZE  | DWG. NO. | 808-14-072-KIT           |                                     |
| C   |          |                          |                                     |
| PLOT SCALE  | 2:1      | SHEET 1 OF 1             |                                     |