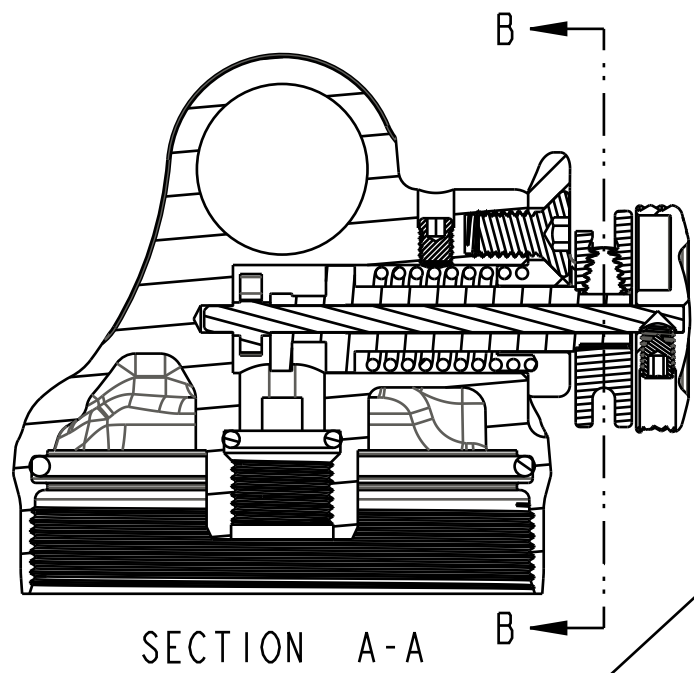


4

3

2

1



SECTION A-A

EYELET

Fastener, Custom: Set Screw, Flanged, M3, 2017 Lockout

Spring: Torsion, 2014-17 Dish/DPS Remote, [.0071 in-lb/deg], Unplated

CABLE HANGER

CABLE HANGER FASTENER

TORQUE: 5±1 IN.LB.

REBOUND CAM

GREASE: THIN LAYER HIGH TEMP BLUE

TORQUE: 25±5 IN.LB.

TORQUE: 8±2 IN.LB.

Set Screw [M4 x .7mm x 4mm] Flat Point, Torx, Black,

Pulley: 2016 Nude 3 DPS-Remote

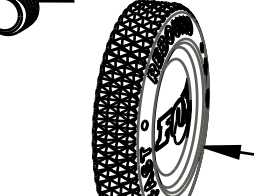
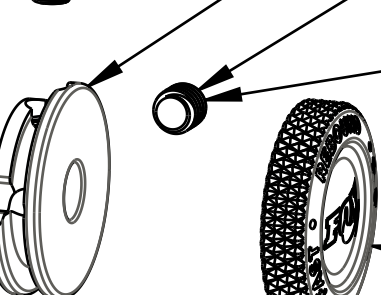
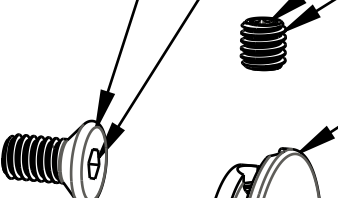
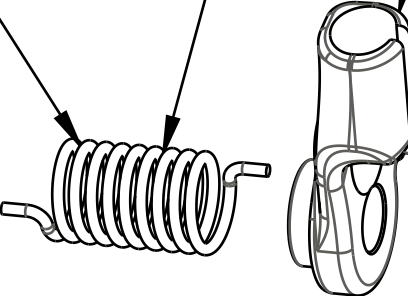
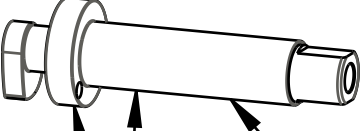
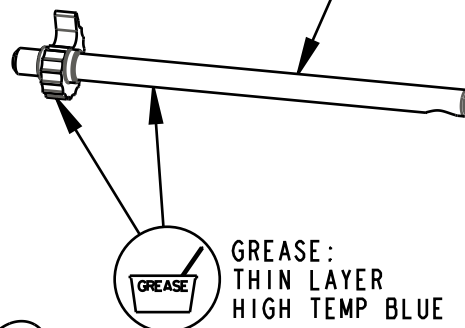
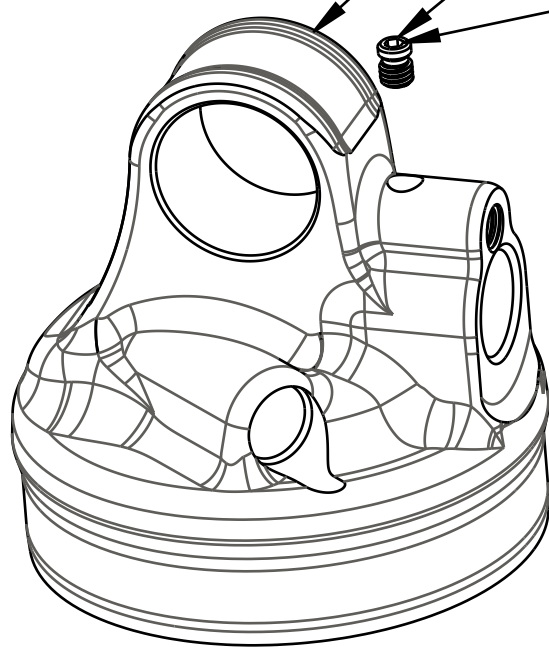
Set Screw [M4 x .7mm x 4mm] , SS

TORQUE: START THREAD 2 TURNS

Rebound Knob: 2014 Scott Evolution

TORQUE: 5±1 IN.LB.

Fastener, Standard (Metric): Screw [M3 x 4mm] SS Socket Set Cone Point



GREASE: THIN LAYER SLICK HONEY

GREASE: THIN LAYER HIGH TEMP BLUE

GREASE: THIN LAYER HIGH TEMP BLUE

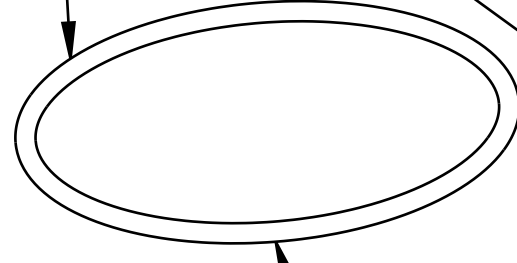
TORQUE: 35±5 IN.LB.

COMPRESSION CAM

Air Valve Parts: Cap, Air Valve [.305-32], Black, 6061

AIR VALVE ASSEMBLIES:

803-01-178: Service Set: Air Valve Part: Housing, Tank Valve, DHX2, FloatX2, 2017 DPS
802-00-007-KIT: Air Valve Assy: Slim[M6 X .75, 1.150 TLG]



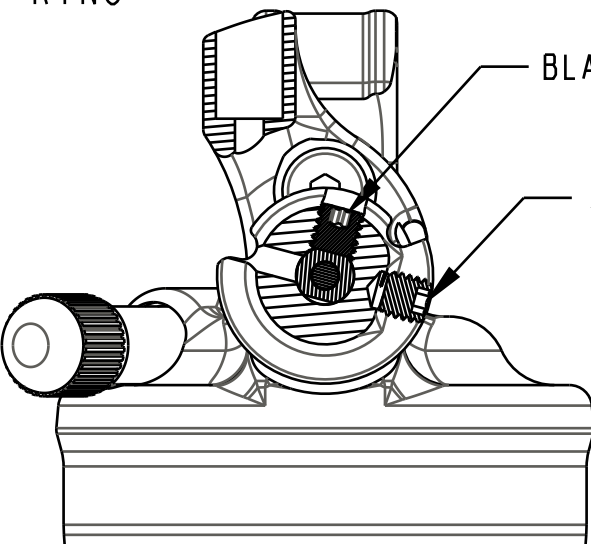
AIR VALVE O-RING

Seals: O-Ring [7.5MM ID x 1.5MM CS] Metric, N-70, Static

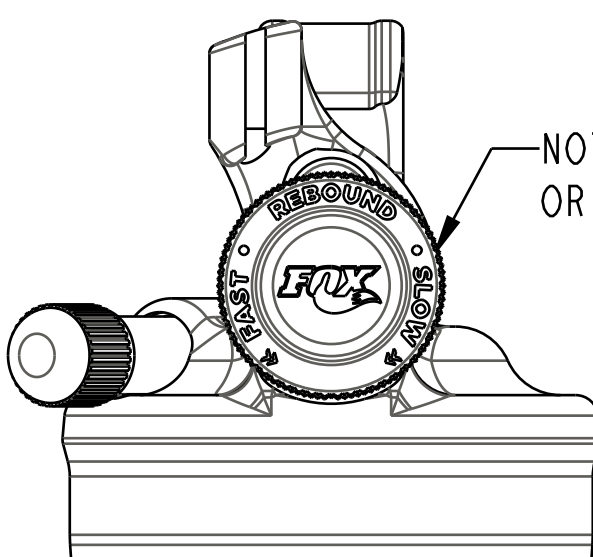
EYELET O-RING

BLACK TORX SET SCREW FIXES PULLEY TO CAM

STAINLESS HEX SET SCREW FIXES CABLE TO PULLEY



SECTION B-B



NOTE KNOB ORIENTATION

PROPRIETARY - THIS DOCUMENT CONTAINS CONFIDENTIAL, PROPRIETARY INFORMATION THAT IS FOX PROPERTY. DO NOT DISCLOSE TO OR DUPLICATE FOR OTHERS EXCEPT AS AUTHORIZED BY FOX.

FOX Factory, Inc. Ph 831-768-1100 130 Hangar Way, Watsonville, CA 95076 USA Fax 831-768-9312

TITLE 2021 FLOAT DPS REMOTE EYELETS

SIZE DWG. NO. C

PLOT SCALE | .50:1

SHEET 1 OF 2

ProE ASSEM

4

3

2

1