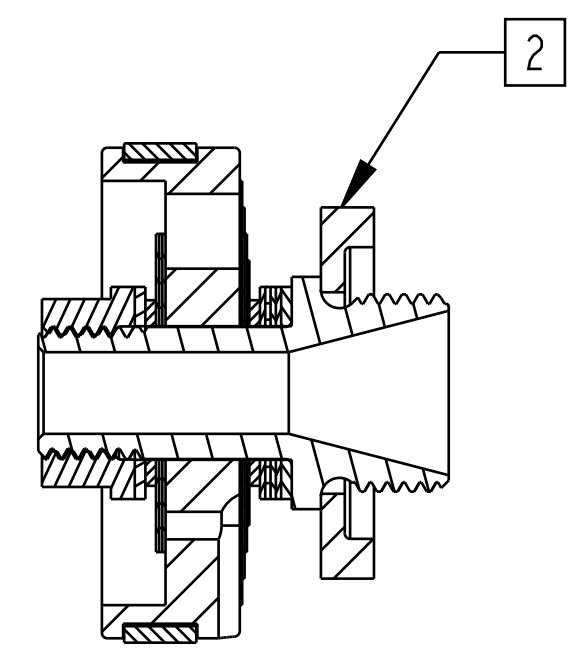
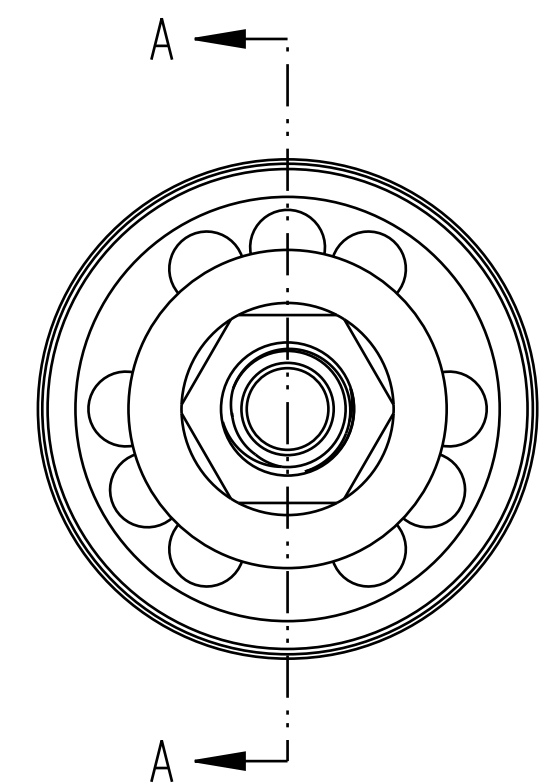
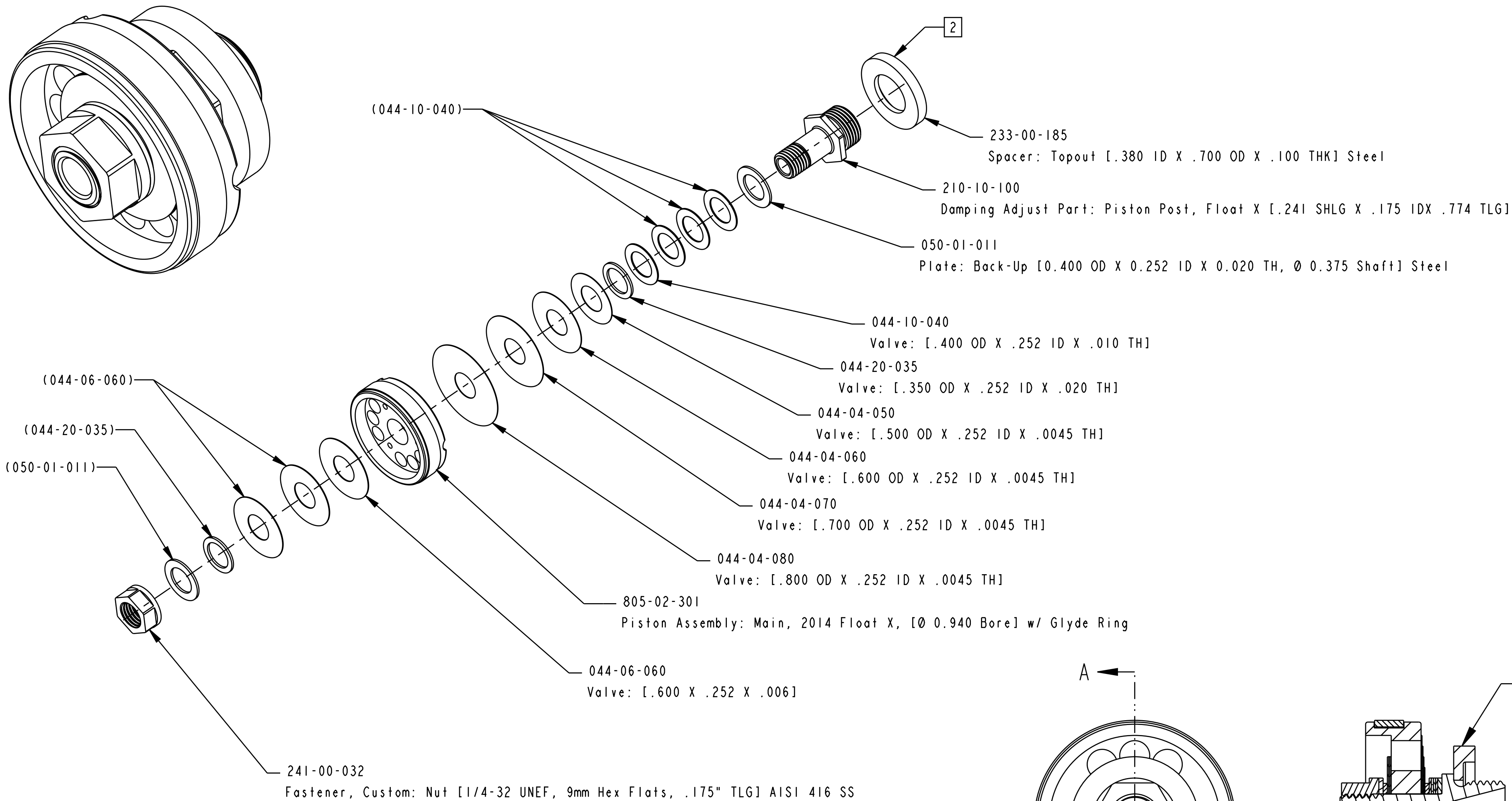


4

3

2

1



NOTES: UNLESS OTHERWISE SPECIFIED

1. AFTER INSTALLING VALVE ASSEMBLY, SHOCK SHOULD HAVE 18-23 REBOUND POSITIONS.

2 PART ORIENTATION IS CRITICAL TO FUNCTION.

- PROPRIETARY -
THIS DOCUMENT CONTAINS CONFIDENTIAL, PROPRIETARY INFORMATION
THAT IS FOX PROPERTY. DO NOT DISCLOSE TO OR DUPLICATE
FOR OTHERS EXCEPT AS AUTHORIZED BY FOX.

FOX	FOX Factory, Inc.	Ph 831-768-1100
	130 Hangar Way, Watsonville, CA 95076 USA	Fax 831-768-9312
TITLE	Valving Assy: 2014 Float X CTD, CM, RTM	
SIZE	807-72-150-KIT	
DWG. NO.	C	
PLOT SCALE	1.5:1	SHEET 1 OF 1

4

3

2

1

ProE ASSEM