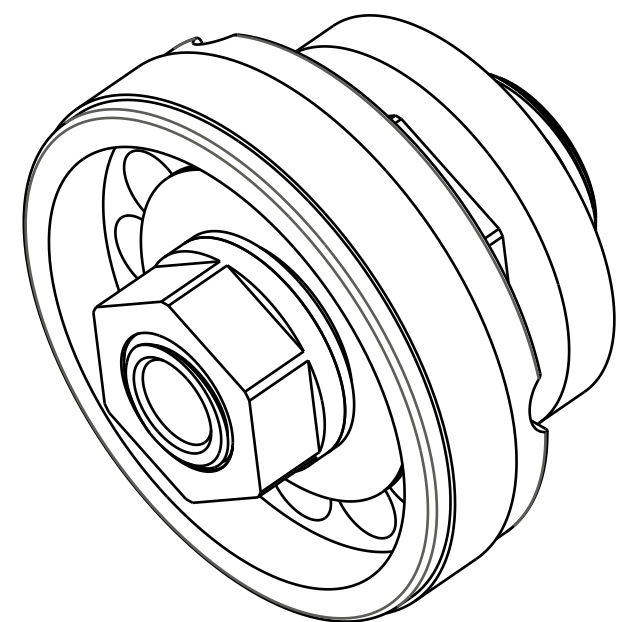


4

3

2

1



(044-10-040)

2

233-00-185  
Spacer: Topout [.380 ID X .700 OD X .100 THK] Steel

210-10-100  
Damping Adjust Part: Piston Post, Float X [.241 SHLG X .175 ID X .774 TLG]

050-01-011  
Plate: Back-Up [0.400 OD X 0.252 ID X 0.020 TH, Ø 0.375 Shaft] Steel

044-10-040  
Valve: [.400 OD X .252 ID X .010 TH]

044-20-035  
Valve: [.350 OD X .252 ID X .020 TH]

044-04-050  
Valve: [.500 OD X .252 ID X .0045 TH]

044-04-060  
Valve: [.600 OD X .252 ID X .0045 TH]

044-04-070  
Valve: [.700 OD X .252 ID X .0045 TH]

044-04-080  
Valve: [.800 OD X .252 ID X .0045 TH]

805-02-301  
Piston Assembly: Main, 2014 Float X, [Ø 0.940 Bore] w/ Glyde Ring

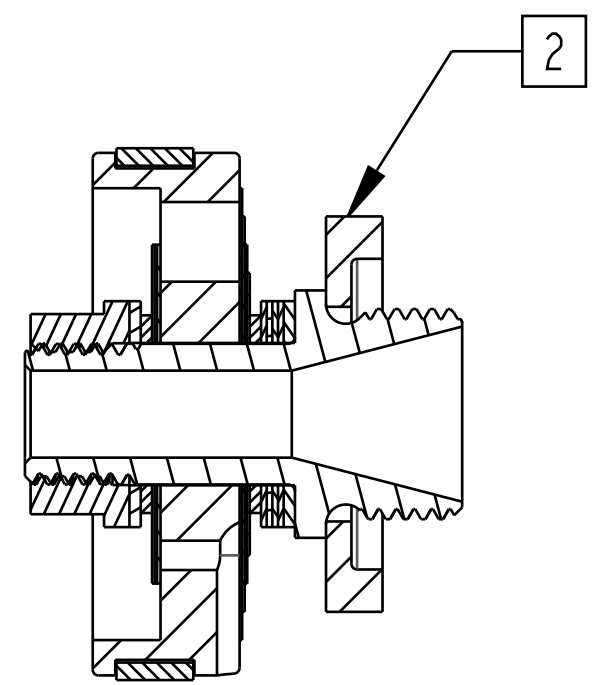
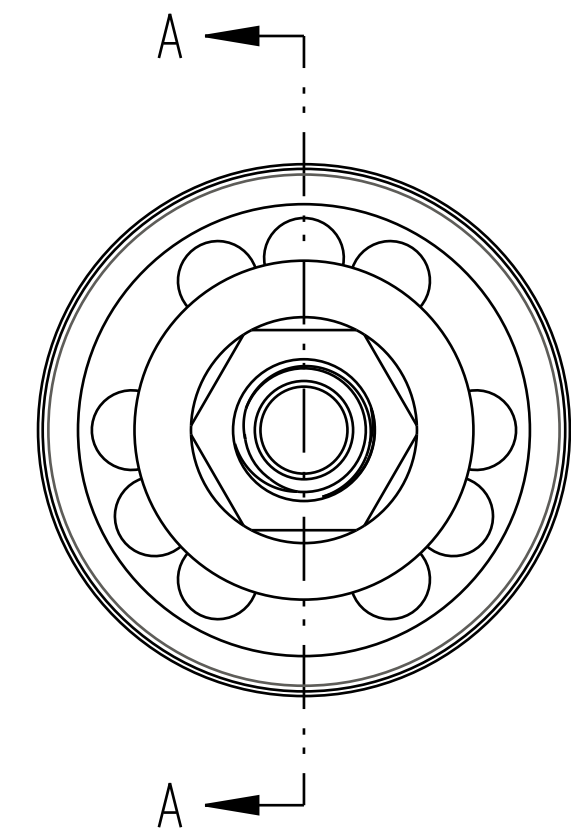
044-06-060  
Valve: [.600 X .252 X .006]

241-00-032  
Fastener, Custom: Nut [1/4-32 UNEF, 9mm Hex Flats, .175" TLG] AISI 416 SS

(044-04-060)

(044-20-035)

(050-01-011)



SECTION A-A

NOTES: UNLESS OTHERWISE SPECIFIED

1. AFTER INSTALLING VALVE ASSEMBLY, SHOCK SHOULD HAVE 18-23 REBOUND POSITIONS.

2 PART ORIENTATION IS CRITICAL TO FUNCTION.

- PROPRIETARY -  
THIS DOCUMENT CONTAINS CONFIDENTIAL, PROPRIETARY INFORMATION  
THAT IS FOX PROPERTY. DO NOT DISCLOSE TO OR DUPLICATE  
FOR OTHERS EXCEPT AS AUTHORIZED BY FOX.

		<b>FOX Factory, Inc.</b>	Ph 831-768-1100
		130 Hangar Way, Watsonville, CA 95076 USA	Fax 831-768-9312
TITLE			
<b>Valving Assy: 2014 Float X CTD, CM, RTL</b>			
SIZE	DWG. NO.	807-72-151-KIT	
<b>C</b>			
PLOT SCALE 1.5:1		SHEET 1 OF 1	

4

3

2

1

ProE ASSEM