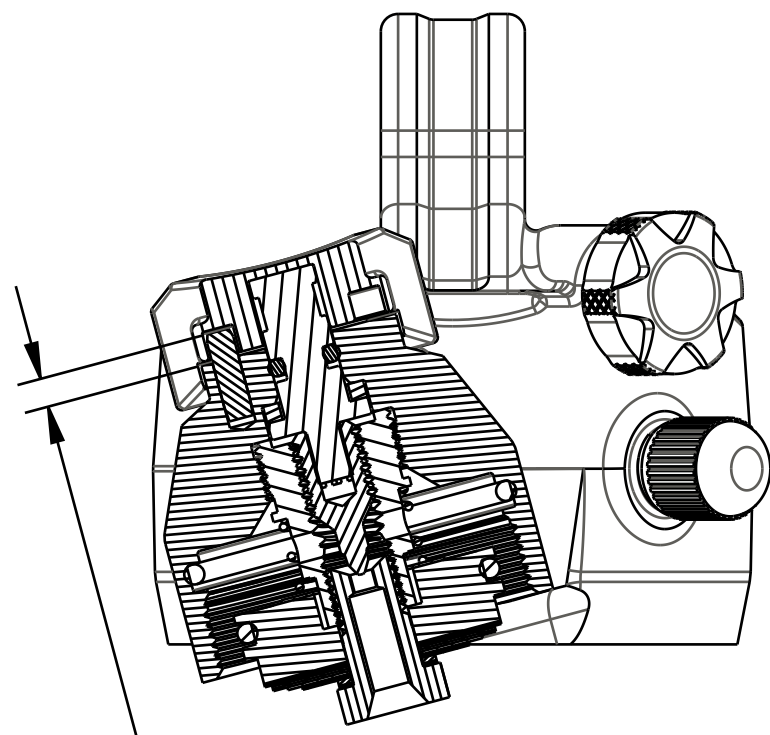


4

3

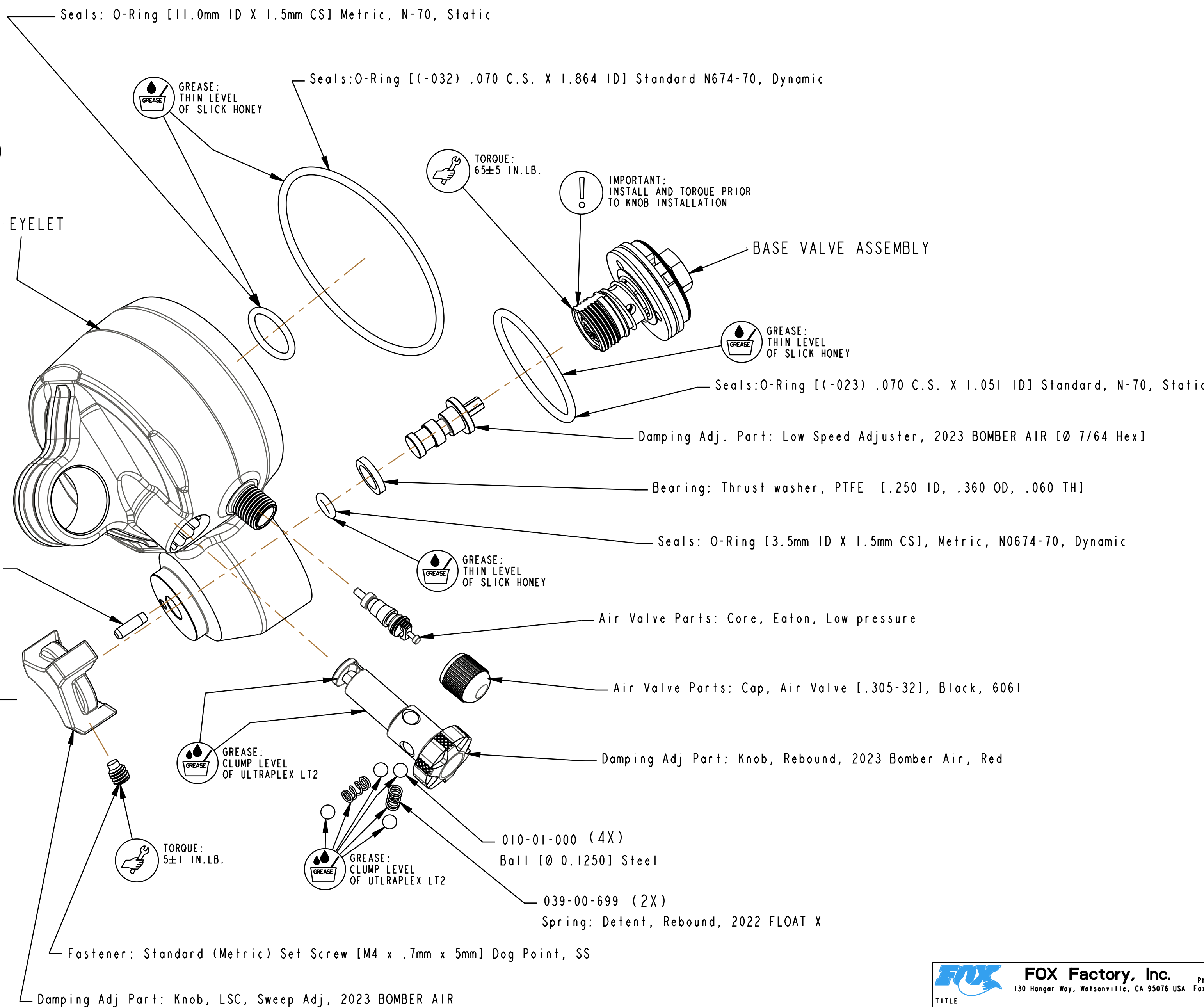
2

1

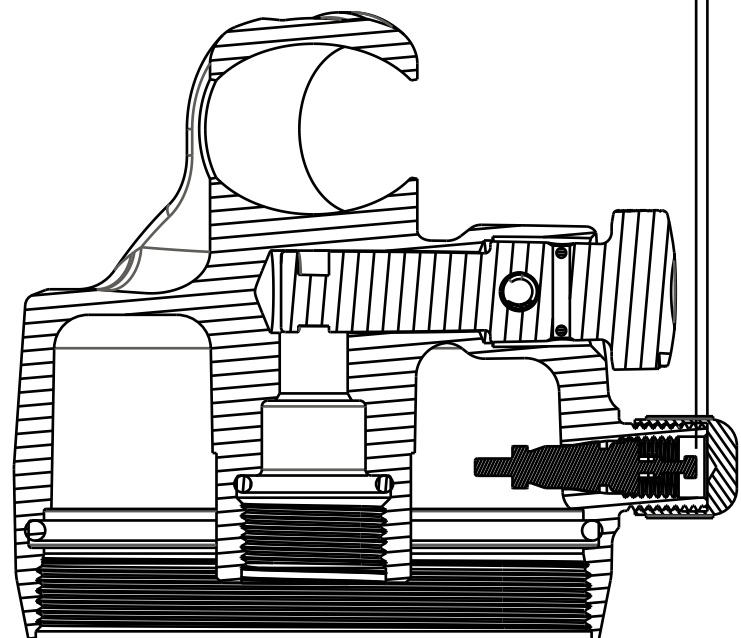


.095-.105
[2,42-2,66]
PIN PRESS HEIGHT
USE FIXTURE

SECTION A-A



.010-.040
[0,26-1,01]
VALVE CORE DEPTH
100% INSPECT
WITH GO/NO-GO GAUGE



SECTION B-B

PROPRIETARY - THIS DOCUMENT CONTAINS CONFIDENTIAL, PROPRIETARY INFORMATION THAT IS FOX PROPERTY. DO NOT DISCLOSE TO OR DUPLICATE FOR OTHERS EXCEPT AS AUTHORIZED BY FOX.

FOX FOX Factory, Inc. Ph 831-768-1100
130 Hangar Way, Watsonville, CA 95076 USA Fax 831-768-9312

TITLE
2023 Bomber Air Eyelets

SIZE DWG. NO.
C

PLOT SCALE: 5:1:1 | SHEET 1 OF 2

4

3

2

1