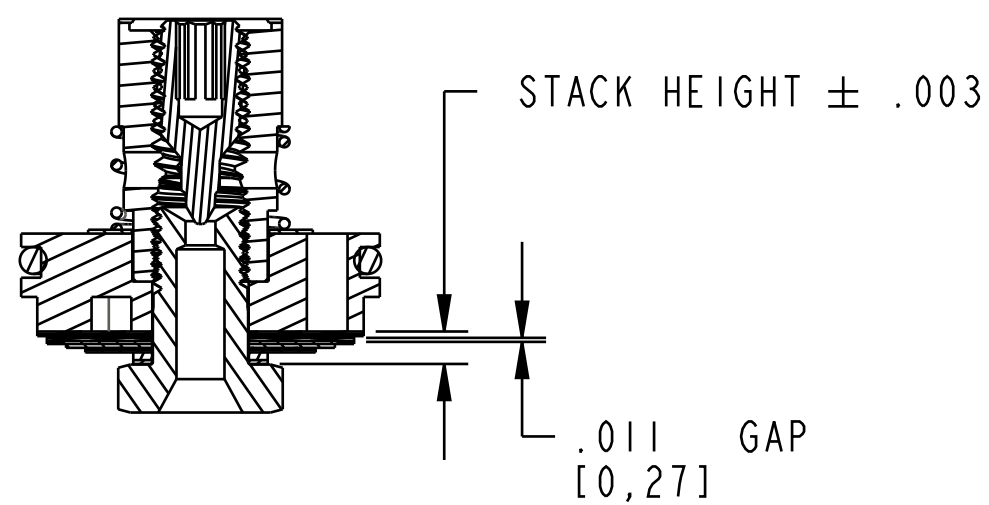


4

3

2

1



STACK HEIGHT	
FREE	.096
INSTALLED	.085

Damping Adjust Part: LSC Needle, 2023 Bomber Air

IMPORTANT:
INSTALL AFTER PISTON BOLT TORQUE OPERATION

Valve: [.585 OD x .358 ID x .010 TH]

Piston: Bomber Air Rezi [.940 Bore, .934 OD]

Valve: [.850 X .252 X .006]



Shaft: LSC, 2023 Bomber Air

Spring: Compression [.380TLG x .412 ID x 4.3 lb/in]

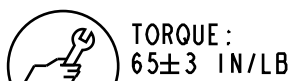
Valve: Ring Shim, Inch [.800 X .710 X .015]

Valve: [.600 X .252 X .006]

O-Ring (-019) [.070 C.S. X .801 ID]

Valve: [.600 X .252 X .006]

Valve: [.850 X .252 X .006]



Valve: [.700 OD X .252 ID X .0045 TH]

Valve: [.800 OD X .252 ID X .008 TH]

Valve: [.800 OD X .252 ID X .008 TH]

Valve: [.700 OD X .252 ID X .010 TH]

Valve: [.350 OD X .252 ID X .020 TH]

Valve: [.350 OD X .252 ID X 0.010 TH]

Piston Bolt: Bomber Air Low Speed

FOX **FOX Factory, Inc.** Ph 831-768-1100
130 Hangar Way, Watsonville, CA 95076 USA Fax 831-768-9312

TITLE
Damping Adj Assy: Base Valve,
2023 Bomber Air, BVC002, Medium+

SIZE DWG. NO. **815-02-226-KIT**

PLOT SCALE 2:1 SHEET 1 OF 1

PROPRIETARY -
THIS DOCUMENT CONTAINS CONFIDENTIAL, PROPRIETARY INFORMATION
THAT IS FOX PROPERTY. DO NOT DISCLOSE TO OR DUPLICATE
FOR OTHERS EXCEPT AS AUTHORIZED BY FOX.

4

3

2

ProE ASSEM