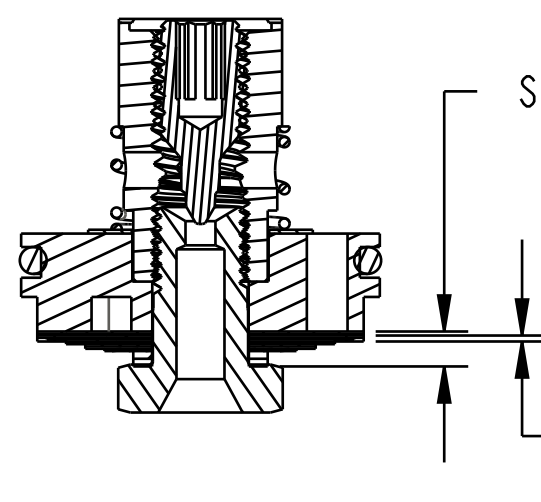


4

3

2

1



SECTION A-A

STACK HEIGHT ± .003

.016 GAP
[0,39]

| STACK HEIGHT | |
|--------------|------|
| FREE | .107 |
| INSTALLED | .091 |

Damping Adjust Part: LSC Needle, 2023 Bomber Air

IMPORTANT:
INSTALL AFTER PISTON BOLT TORQUE OPERATION

Valve: [.585 OD x .358 ID x .010 TH]

Piston: Bomber Air Rezi [.940 Bore, .934 OD]

GREASE:
THIN LEVEL
OF SLICK HONEY

Shaft: LSC, 2023 Bomber Air

Spring: Compression [.380TLG x .412 ID x 4.3 lb/in]

Valve: Ring Shim, Inch [.850 X .760 X .020]

O-Ring (-019) [.070 C.S. X .801 ID]

Valve: [.700 OD X .252 ID X .006 TH]

Valve: [.850 X .252 X .006]

Valve: [.500 OD X .252 ID X .006 TH]

Valve: [.0.750 OD X 0.252 ID X 0.0045 TH]

Valve: [.350 OD X .252 ID X .020 TH]

Valve: [.850 X .252 X .006]

TORQUE:
65±3 IN/LB

Valve: [.800 OD X .252 ID X .0045 TH]

Valve: [.700 OD X .252 ID X .006 TH]

Valve: [.600 X .252 X .006]

Valve: [.600 X .252 X .006]

Valve: [.350 OD X .252 ID X .020 TH]

Piston Bolt: Bomber Air Low Speed

FOX **FOX Factory, Inc.** Ph 831-768-1100
 130 Hangar Way, Watsonville, CA 95076 USA Fax 831-768-9312

TITLE
 Damping Adj Assy: Base Valve,
 2023 Bomber Air, BVC008, Light

SIZE DWG. NO.
C 815-02-232-KIT

PLOT SCALE 2:1 SHEET 1 OF 1

- PROPRIETARY -
 THIS DOCUMENT CONTAINS CONFIDENTIAL, PROPRIETARY INFORMATION
 THAT IS FOX PROPERTY. DO NOT DISCLOSE TO OR DUPLICATE
 FOR OTHERS EXCEPT AS AUTHORIZED BY FOX.

4

3

2

ProE ASSEM