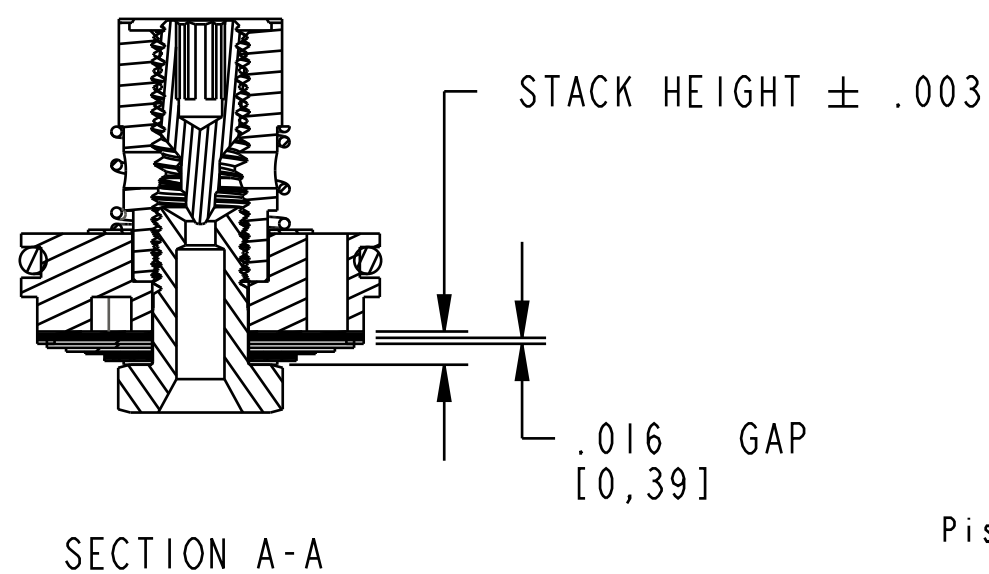


4

3

2

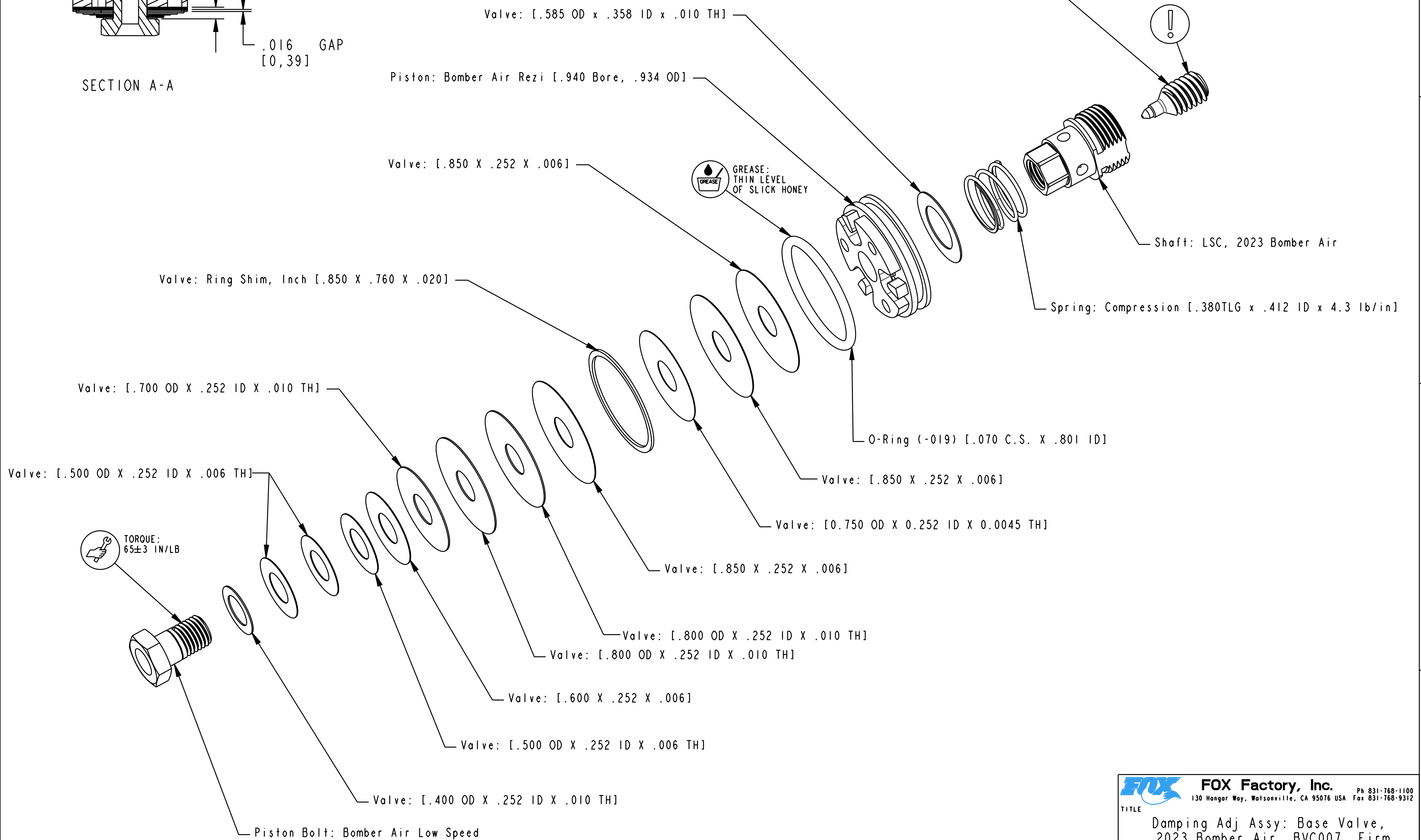
1



STACK HEIGHT	
FREE	.103
INSTALLED	.087

Damping Adjust Part: LSC Needle, 2023 Bomber Air

IMPORTANT: INSTALL AFTER PISTON BOLT TORQUE OPERATION



- PROPRIETARY -
 THIS DOCUMENT CONTAINS CONFIDENTIAL, PROPRIETARY INFORMATION
 THAT IS FOX PROPERTY. DO NOT DISCLOSE TO OR DUPLICATE
 FOR OTHERS EXCEPT AS AUTHORIZED BY FOX.

		FOX Factory, Inc.	Ph 831-768-1100
		130 Hangar Way, Watsonville, CA 95076 USA	Fax 831-768-9312
TITLE Damping Adj Assy: Base Valve, 2023 Bomber Air, BVC007, Firm			
SIZE	DWG. NO.	815-02-233-KIT	
PLOT SCALE	2:1	SHEET 1 OF 1	

4

3

2

1